

Project \_\_\_\_\_

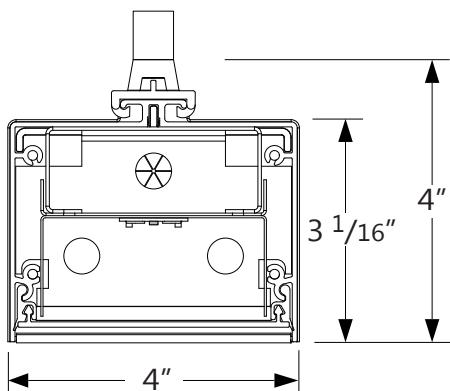
Type \_\_\_\_\_

Notes \_\_\_\_\_

**PERFORMANCE PER LINEAR FOOT AT 3500K**

NOMINAL LUMEN OUTPUT	INPUT WATTS*	EFFICACY
500 lm/ft	5.5 W/ft	91 lm/W
750 lm/ft	8.3 W/ft	90 lm/W

Please consult factory for custom lumen output and wattage.



CONTROL  
SENSORS



cULus Listed  
Type I.C.



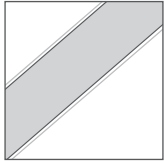
**Ordering Guide**

WBLED					S			
PRODUCT ID	NOM.LUMENS/FT	CRI		COLOR TEMP.	SHIELDING	LENGTH (FT)		
WBLED Pendant LED	500	500 lm/ft - Min.	80	80 CRI	27	2700 K	2	2'
	750	750 lm/ft - Max.	90	90 CRI	30	3000 K	3	3'
				35	3500 K	4	4'	
				40	4000 K	5	5'	
						8	8'	
						S#	system run	
Outputs between listed min and max are available. Consult factory for outputs outside of the listed range.								

FINISH		VOLTAGE		DRIVER		CIRCUITS		SA	
								MOUNTING/SUSPENSION	
AP	aluminum paint	120	120 V	DP	dimming (0-10V) 1%	1	1 circuit	SA(#)	drywall+stem length >48" (18" std.)
W	white	277	277 V	LT	Lutron <sup>(1)</sup>	2	2 circuits		
BLK	black	347	347 V	BI	bi-level dimming	+E(#)	emergency circuit <sup>(3)</sup>		
C	custom	UNV	universal	O	other <sup>(2)</sup>	+NL(#)	night light circuit <sup>(3)</sup>		
						+GTD(#)	generator transfer device <sup>(3)</sup>		
				(1) Operating up to -20°C; Specify system (2) Please consult factory; see page 2		(3) Specify quantity			

BATTERY (OPTIONAL)		OTHER (OPTIONAL)		IC CONTROLS (OPTIONAL)		CUSTOM (OPTIONAL)	
B#	battery pack (integral)	F	fuse <sup>(4)</sup>	OS#	occupancy sensor	C	custom
		EF	end feed*	EN	Enlighted integral	N	natorium finish
				WC#	wireless control dimming		
Not available with 347V Please consult factory		(4) Requires 120V or 277V; * See page 3 for more details.		See integrated controls guide for further details Please consult factory		Please specify	

● OPTICS



S satin lens

**SATIN LENS**

PMMA satin finish (0.060" nominal) 68% trans.

● CONSTRUCTION

<b>Housing</b>	Extruded aluminum (0.062" nominal) Up to 70% recycled content
<b>End Cap</b>	Die cast zinc (0.070" nominal)
<b>Interior Brackets</b>	Die formed sheet steel (16 gauge)
<b>Gaskets</b>	Moulded elastomer (0.100" nominal)
<b>Lens Gaskets</b>	Extruded elastomer (0.045" nominal)
<b>Frosted Lens</b>	Frosted acrylic 68% transmissive

● ELECTRICAL

<b>Lutron driver*</b>	LDE1 - EcoSystem H-Series (1%) LDE5 - EcoSystem 5-Series (5%) LTE - Hi-Lume® A-series 2Wires Forward Phase (1%) <small>*Consult factory</small>
<b>Other drivers</b>	DALI - Digital Addressable Lighting Interface DMX - Digital Multiplex LV - line voltage - Advance Mark 10 Xitanium SR - For wireless sensor
<b>Emergency</b>	Integral emergency battery pack or emergency circuit optional.
<b>Input Voltage</b>	120V, 277V, 347V, UNV.

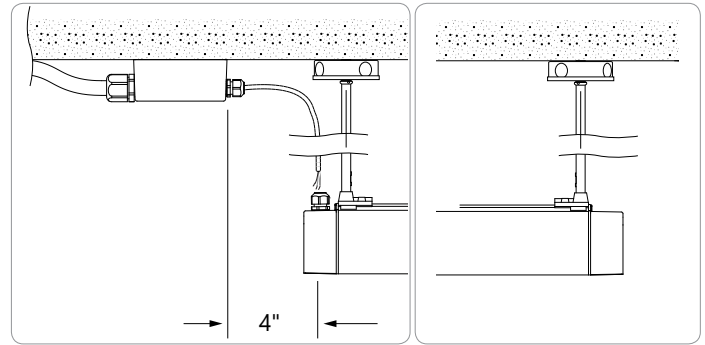
**i** Incorporating these components may have limitations or affect the length of the luminaire. Please contact factory for more details.

● LED SYSTEM

<b>CRI</b>	Minimum 80 or 90 color rendering index.
<b>CCT</b>	Choice of 2700K, 3000K, 3500K and 4000K color temperature with a great color consistency (within 3-step MacAdam ellipse). Both within fixture and fixture to fixture.
<b>LED life</b>	Minimum 50,000h with 85% of lumen maintenance in 25°C ambient temperature, in compliance with IES LM-80 testing measurements.
<b>Thermal Management</b>	Aluminum housing acting as the heat sink to maximize life.

● MOUNTING OPTIONS

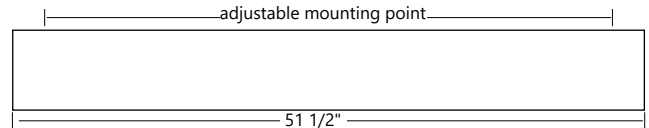
**SAS STEM MOUNT IN SOLID CEILING**



Power feed

Non power feed

● MOUNTING POINTS



**i** Row configuration, specification sheets and mounting spacing guides are available for download at: [www.axislighting.com](http://www.axislighting.com)

● OTHER MOUNTING OPTIONS

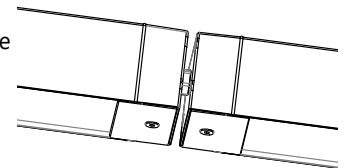
WET BEAM4 LED is available with recessed horizontal, recessed vertical, surface and wall mounted options.

● WEIGHT

<b>Pendant 4 ft</b>	12.8 lbs / 5.8 kg
<b>Pendant 8 ft</b>	24.5 lbs / 11.1 kg

● GASKETTED FIXTURE

With its gasketed end cap and lens the Wet Beam4 LED is made for wet locations, and is ideal for exterior soffits and canopies of malls, hospitals and other institutions.



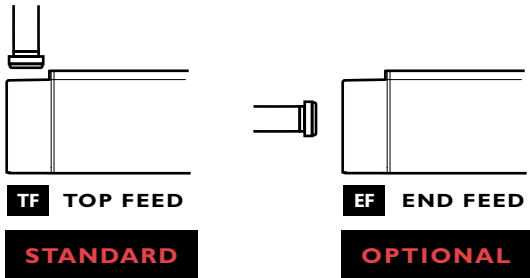
● **WARRANTY**

Axis Lighting will warrant defective LEDs, boards, and drivers for 5 years from date of purchase. Warranty is valid if luminaire is installed and used according to specifications. If defective, Axis will send replacement boards or drivers at no cost along with detailed replacement instructions and instructions on how to return defective components to Axis.

● **FINISH**

Aluminum paint, powder coated and custom finishes are also available.

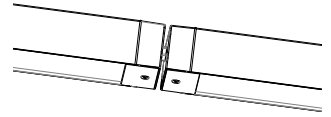
● **POWER FEED**



\* Not available with 347 V.

● **JOINER SYSTEM**

WET BEAM4 LED modular system consists of smaller modules joined and gasketed together allowing for system runs in lengths of 4' and 8' as well as custom lengths up to 8'.



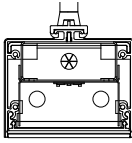
\* For continuous rows allow 2" for connectors between each fixture.

● **APPROVALS**

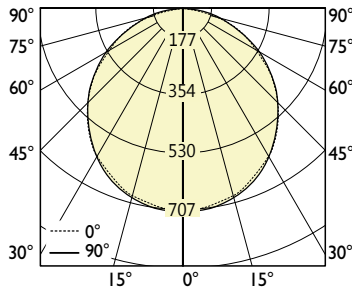
Certified wet locations to UL and CSA standards 

● PHOTOMETRIC DATA

500 lm/ft



PHOTOMETRIC CURVE



**Luminaire Lumens: 500 lm/ft**  
**Input Watts: 5.5 W/ft**  
**Efficacy: 91 lm/W**  
 IES FILE: WBLED-500-80-35-S.IES

TESTED ACCORDING TO IES LM-79-2008

CANDELA DISTRIBUTION

Vertical Angle	Horizontal Angles				
	0	22.5	45	67.5	90
0	704	704	704	704	704
5	697	701	700	703	706
15	672	677	677	679	682
25	623	626	627	628	631
35	552	555	555	554	555
45	465	466	466	465	465
55	363	365	364	362	361
65	249	250	249	246	244
75	129	130	126	123	121
85	29	25	20	17	16
90	0	0	0	0	0

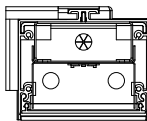
ZONAL LUMENS

Zone	Lumens
0	
0-10	67
10-20	191
20-30	289
30-40	347
40-50	359
50-60	324
60-70	245
70-80	133
80-90	28
90	

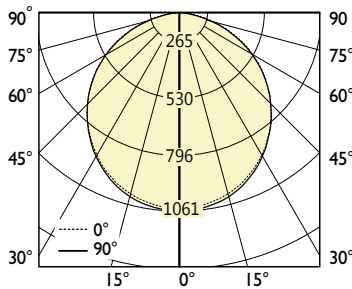
LUMINANCE DATA (cd/m<sup>2</sup>)

Vertical Angle	Horizontal Angles		
	0	45	90
45	5567	5579	5567
55	5357	5372	5328
65	4987	4987	4887
75	4219	4121	3957
85	2817	1942	1554

750 lm/ft



PHOTOMETRIC CURVE



**Luminaire Lumens: 750 lm/ft**  
**Input Watts: 8.3 W/ft**  
**Efficacy: 90 lm/W**  
 IES FILE: WBLED-750-80-35-S.IES

TESTED ACCORDING TO IES LM-79-2008

CANDELA DISTRIBUTION

Vertical Angle	Horizontal Angles				
	0	22.5	45	67.5	90
0	1056	1056	1056	1056	1056
5	1046	1052	1050	1055	1059
15	1008	1016	1016	1019	1023
25	935	939	941	942	947
35	828	833	833	831	833
45	698	699	699	698	698
55	545	548	546	543	542
65	374	375	374	369	366
75	194	195	189	185	182
85	44	38	30	26	24
90	0	0	0	0	0

ZONAL LUMENS

Zone	Lumens
0	
0-10	100
10-20	287
20-30	433
30-40	520
40-50	539
50-60	486
60-70	368
70-80	200
80-90	43
90	

LUMINANCE DATA (cd/m<sup>2</sup>)

Vertical Angle	Horizontal Angles		
	0	45	90
45	8350	8368	8350
55	8036	8058	7992
65	7481	7481	7331
75	6329	6181	5936
85	4225	2914	2331