

Project _____

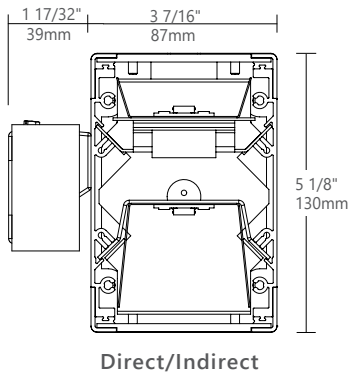
Type _____

Notes _____

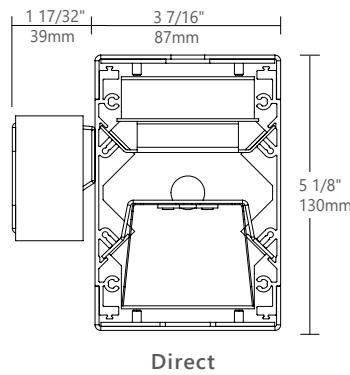
PERFORMANCE PER LINEAR FOOT AT 3500K

NOMINAL LUMEN OUTPUT		INPUT WATTS*	EFFICACY
UPLIGHT	DOWNLIGHT		
450 lm/ft	500 lm/ft	13.55 W/ft	70 lm/W

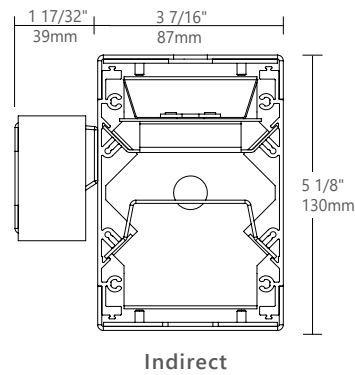
Please consult factory for custom lumen output and wattage.



Direct/Indirect



Direct



Indirect



Ordering Guide

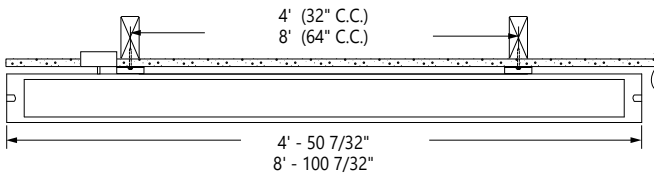
PRODUCT ID	NOM.LUMENS/FT UP	NOM.LUMENS/FT DOWN	CRI	COLOR TEMP.	SHIELDING UP
WBDIWLED Wall Direct/Indirect LED	500 500 lm/ft up - Minimum	500 500 lm/ft down - Minimum	80 80 CRI	27 2700 K	SO spotless lens
WBDWLED Wall Direct LED	1000 1000 lm/ft down - Maximum	1000 1000 lm/ft down - Maximum	90 90 CRI	30 3000 K	CL clear lens
WBIWLED Wall Indirect LED				35 3500 K 40 4000 K	
Outputs between listed min and max are available. Consult factory for outputs outside of the listed range.		Outputs between listed min and max are available. Consult factory for outputs outside of the listed range.			Extruded Polycarbonate

SO	SHIELDING DOWN	LENGTH (FT)	FINISH	VOLTAGE	DRIVER	CIRCUITS
SO	spotless lens	2 2' 3 3' 4 4' 6 6' 8 8' 12 12' S# system run	AP aluminum paint W white BLK black C custom	120 120 V 277 277 V 347 347 V UNV universal	DP dimming (0-10V) 1% LT Lutron ⁽¹⁾ BI bi-level dimming O other ⁽²⁾	1 1 circuit 2 2 circuits 2A/B 2 alternating +E(#) emergency section ⁽³⁾ +NL(#) night light section ⁽³⁾ +GTD(#) generator transfer device ⁽³⁾
Extruded Polycarbonate					(1) Operating up to -20°C; Specify system (2) Please consult factory; see page 2	(3) Specify quantity

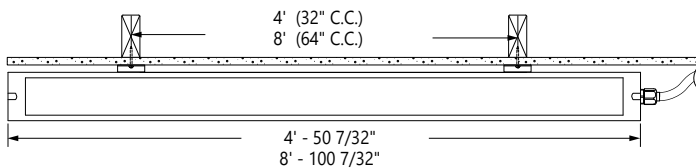
BATTERY (OPTIONAL)	OTHER (OPTIONAL)	CUSTOM (OPTIONAL)
B# battery pack 4' sections	F fuse BF Back feed*	C custom N natatorium finish
Requires 120V or 277V Minimum 5ft; Not available with 347V Please consult factory	*See page 3 for more details.	Please specify

● MOUNTING OPTIONS

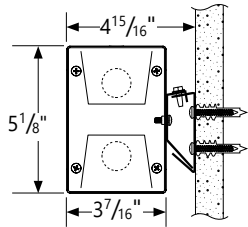
TOP VIEW



TOP VIEW - END FEED STANDARD (EF)



END VIEW



i Row configuration, specification sheets and mounting spacing guides are available for download at: www.axislighting.com

● OTHER MOUNTING OPTIONS

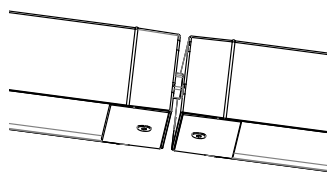
WET BEAM DI LED is also available in a pendant mount.

● WEIGHT

Wall LED 4 ft	15 lbs / 6.8 Kg
Wall LED 8 ft	30 lbs / 13.6 Kg

● GASKETTED FIXTURE

With its gasketed end cap and lens the WET BEAM DI LED is made for wet locations, and is ideal for exterior soffits and canopies of malls, hospitals and other institutions.



● OPTICS



SPOTLESS LENS

Frosted acrylic snap-in lens with micro lens

50 spotless lens

● CONSTRUCTION

Housing	Extruded aluminum (0.062" nominal) Up to 70% recycled content
End Cap	Die cast zinc (0.070" nominal)
Interior Brackets	Die formed sheet steel (16 gauge)
Gaskets	Moulded elastomer (0.100" nominal)
Lens Gaskets	Extruded elastomer (0.045" nominal)
Lens	Extruded polycarbonate (0.125" nominal)
Fasteners	All external fasteners are temper proof TORX T15H

● ELECTRICAL

Lutron driver*	LDE1 - EcoSystem H-Series (1%) LDE5 - EcoSystem 5-Series (5%) LTE - Hi-Lume® A-series 2Wires Forward Phase (1%) <small>*Consult factory</small>
Other drivers	DALI - Digital Addressable Lighting Interface DMX - Digital Multiplex LV - line voltage - Advance Mark 10 Xitanium SR - For wireless sensor
Emergency	Integral emergency battery pack or emergency circuit optional.
Input Voltage	120V, 277V, 347V, UNV.

i Incorporating these components may have limitations or affect the length of the luminaire. Please contact factory for more details.

● LED SYSTEM

CRI	Minimum 80 or 90 color rendering index.
CCT	Choice of 2700K, 3000K, 3500K and 4000K color temperature with a great color consistency (within 3-step MacAdam ellipse). Both within fixture and fixture to fixture.
LED life	Minimum 50,000h with 85% of lumen maintenance in 25°C ambient temperature, in compliance with IES LM-80 testing measurements.
Thermal Management	Aluminum housing acting as the heat sink to maximize life.

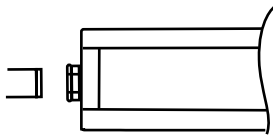
● **WARRANTY**

Axis Lighting will warrant defective LEDs, boards, and drivers for 5 years from date of purchase. Warranty is valid if luminaire is installed and used according to specifications. If defective, Axis will send replacement boards or drivers at no cost along with detailed replacement instructions and instructions on how to return defective components to Axis.

● **FINISH**

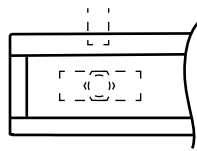
Powder coated and custom finishes are also available.

● **POWER FEED**



EF END FEED

STANDARD

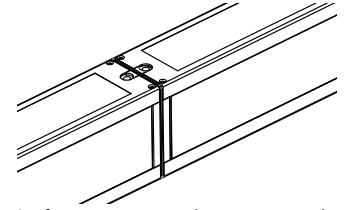


BF BACK FEED

OPTIONAL


● **JOINER SYSTEM**

WET BEAM DI LED modular system consists of smaller modules joined and gasketed together allowing for system runs in lengths of 4' and 8' as well as custom lengths up to 8'.



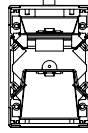
* For continuous rows allow 2" for connectors between each fixture.

● **APPROVALS**

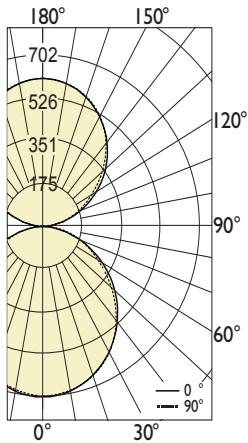
Certified wet locations to UL and CSA standards 

● PHOTOMETRIC DATA

Uplight 45%
450 lm/ft
Downlight 55%
500 lm/ft



PHOTOMETRIC CURVE



Luminaire Lumens: 450 lm/ft up
500 lm/ft down

Input Watts: 13.55W/ft
Efficacy: 70 lm/W

IES FILE: WBDILED-450-500-80-35-SO.IES
TESTED ACCORDING TO IES LM-79-2008

CANDELA DISTRIBUTION

Vertical Angle	Horizontal Angles				
	0	22.5	45	67.5	90
0	702	702	702	702	702
5	699	699	699	699	699
15	675	674	676	675	676
25	627	627	628	629	629
35	560	560	560	561	562
45	474	474	474	475	476
55	372	372	373	373	374
65	258	258	258	259	259
75	138	139	139	139	139
85	37	37	38	37	37
90	5	4	4	4	4
95	29	30	30	31	31
105	117	118	119	120	120
115	222	222	223	224	225
125	322	322	323	324	325
135	410	411	412	413	414
145	485	485	486	488	488
155	544	545	545	546	547
165	586	586	586	587	587
175	607	607	607	607	607
180	610	610	610	610	610

ZONAL LUMENS

Zone	Lumens
0	
0-10	66
10-20	190
20-30	289
30-40	350
40-50	365
50-60	332
60-70	255
70-80	147
80-90	42
90-100	35
100-110	125
110-120	220
120-130	288
130-140	317
140-150	304
150-160	251
160-170	165
170-180	57
180	

LUMINANCE DATA (cd/m²)

Vertical Angle	Horizontal Angles		
	0	45	90
45	9306	9306	9345
55	9003	9028	9052
65	8475	8475	8508
75	7402	7455	7455
85	5893	6053	5893

i All IES files are available for download at: www.axislighting.com