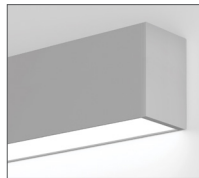
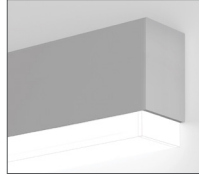


Glo Lens - down



Flush spotless lens down

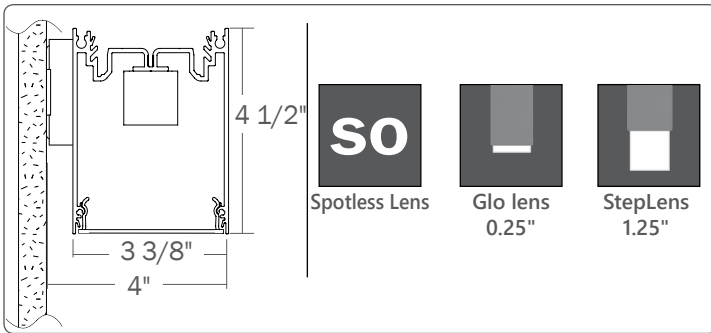


1.25" StepLens - down

Project _____

Type _____

Notes _____



Ordering Guide

TB3WDLED		NOM. LUM/FT DOWN		CRI		COLOR TEMP.		SHIELDING	
PRODUCT ID	Twin BEAM3 - Wall Direct LED	400	400 lm/ft - Minimum	80	80 CRI	27	2700 K	SO	spotless lens
		1000	1000 lm/ft - Maximum	90	90 CRI	30	3000 K	0.25G	0.25" Glo lens
						35	3500 K	1.25M	1.25" StepLens, lum. end cap
						40	4000 K		
Outputs between listed min and max are available. Consult factory for outputs outside of the listed range.								Choose only one of the options above; SurroundLite not available with direct. (1) Available in 3' and 4' combinations; otherwise consult factory.	

LENGTH (FT)	MR (OPTIONAL)	FINISH	VOLTAGE	DRIVER	CIRCUITS
2 2'	DMLED(#) downlight modle LED	AP aluminum paint	120 120 V	DP dimming (0-10V) 1%	1 1 circuit
3 3'		W white	277 277 V	LT Lutron (2)	2 2 circuits
4 4'		BLK black	347 347 V	BI bi-level dimming	+E(#) emergency circuit (4)
5 5'		C custom	UNV universal	O other (3)	+NL(#) night light circuit (4)
8 8'					+GTD(#) generator transfer device (4)
12 12'					+M MR
S# System Run	Add 6" per lamp. Specify quantity Separate circuits included Requires 120V or 277V			(2) Specify system (3) Please consult factory; see page 2	(4) Specify quantity

BATTERY (OPTIONAL)	OTHER (OPTIONAL)	IC CONTROLS (OPTIONAL)	CUSTOM (OPTIONAL)
B# battery pack (integral)	F fuse (5)	DS# daylight sensor OS# occupancy sensor DOS# daylight & occupancy sensor EN# Enlighted integral (6) ENR# Enlighted remote (6) WC# wireless control dimming	C custom
Minimum 5ft; Not available with 347V Please consult factory	(5) Requires 120V or 277V	(6) Please consult factory Specify quantity. Requires 8" blank. See integrated controls guide for more details.	Please specify

● **CONSTRUCTION**

Housing	Extruded aluminum (0.075" nominal) Up to 70% recycled content
End Cap	Cast aluminum
Interior Brackets	Die formed sheet steel (20 gauge)
Reflectors	White powder coated sheet steel (22 gauge)
Lenses	Extruded acrylic (0.070" nominal)
Mounting	Sheet metal bracket with fixture-mounted clip

● **ELECTRICAL**

Lutron driver*	LDE1 - EcoSystem H-Series (1%) LDE5 - EcoSystem 5-Series (5%) LTE - Hi-Lume® A-series 2Wires Forward Phase (1%) *Consult factory
Other drivers	DALI - Digital Addressable Lighting Interface DMX - Digital Multiplex LV - line voltage - Advance Mark 10 Xitanium SR - For wireless sensor POE (Power over Ethernet) - Low Voltage Lighting System.
Emergency	Integral emergency battery pack or emergency circuit optional.
Input Voltage	120V, 277V, 347V, UNV.

i Incorporating these components may have limitations or affect the length of the luminaire. Please contact factory for more details.

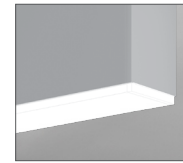
● **LED SYSTEM**

CRI	Minimum 80 or 90 color rendering index.
CCT	Choice of 2700K, 3000K, 3500K and 4000K color temperature with a great color consistency (within 3-step MacAdam ellipse). Both within fixture and fixture to fixture.
LED life	Minimum 50,000h with 85% of lumen maintenance in 25°C ambient temperature, in compliance with IES LM-80 testing measurements.
Thermal Management	Aluminum housing acting as the heat sink to maximize life.
Environment	Dry and damp rated in operating ambient temperatures of 0-40°C (32-104F).

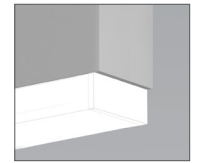
● **OPTICS**



SO Spotless lens



0.25G Glo lens



1.25M 1.25" StepLens

SPOTLESS LENS

Frosted acrylic snap-in micro lens

GLO LENS

0.25" frosted acrylic drop lens. Patented design.

STEPLENS

1.25" StepLens, illuminated end cap.

● **SYSTEM (S#)**

TWIN BEAM3 SurroundLite linear systems, with the use of a strong profile, allow for a nearly hair thin connection system of continuous runs. Lengths of 4', 8', 12' as well as custom lengths are available. Runs of TWIN BEAM3 SurroundLite that are greater than 12' in length are designated as systems (S#). This means that the run is comprised of a combination of 4', 8' and/or 12' sections to be assembled on site using our joining system. For more information on systems and joining, please refer to the BEAM installation sheets available for download at www.axislighting.com.

● **WARRANTY**

Axis Lighting will warrant defective LEDs, boards, and drivers for 5 years from date of purchase. Warranty is valid if luminaire is installed and used according to specifications. If defective, Axis will send replacement boards or drivers at no cost along with detailed replacement instructions and instructions on how to return defective components to Axis.

● **Options**

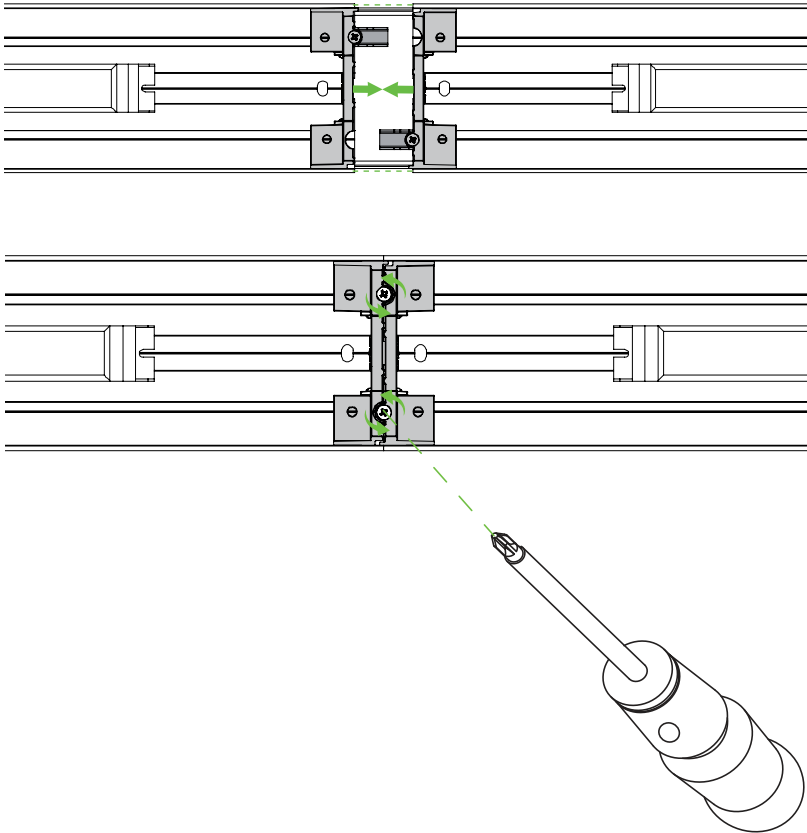
OUTPUT	CRI	COLOR TEMP.	SHIELDING	LENGTH	FINISH	VOLTAGE	DRIVER
400 lm/ft	80	3000 K	FL	2'	white	universal	DP
650 lm/ft		3500 K	1.25M	3'			
850 lm/ft		4000 K		4'			
				5'			
				6'			
				8'			
				12'			

● **JOINERS**

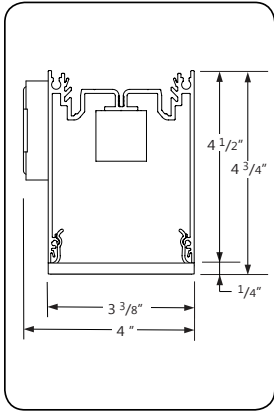
TWIN BEAM3 SurroundLite luminaires feature the joining mechanism shown below. This mechanism joins and aligns multiple luminaires to create long continuous runs of light.

NOTE: Mount each system segment individually.

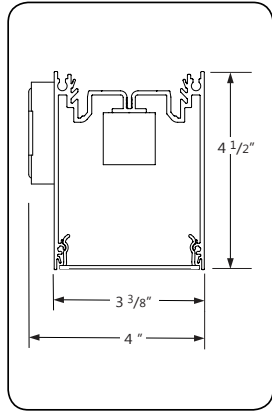
Do not assemble system prior to mounting.



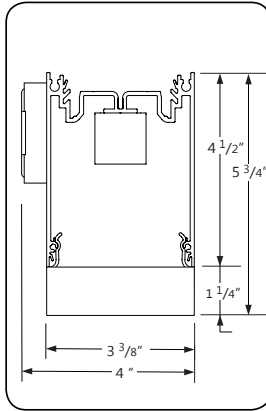
● **SECTION VIEWS**



0.25G 0.25" Glo lens - Direct



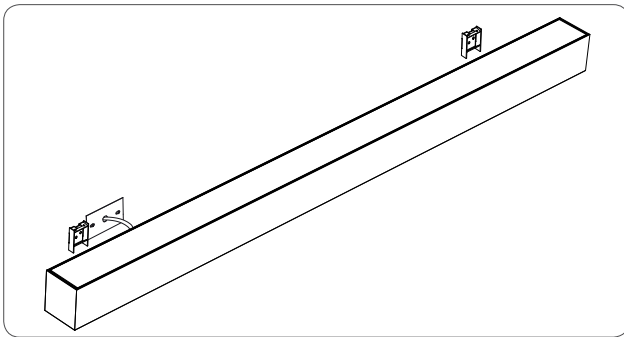
SO Spotless lens - Direct



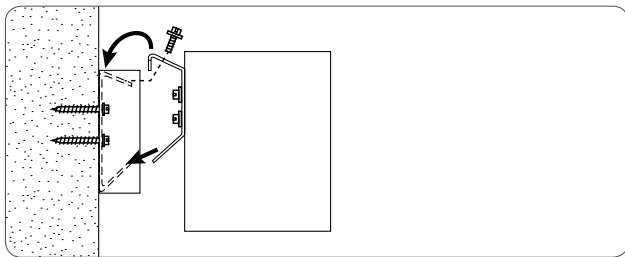
1.25M 1.25" StepLens - Direct

● **MOUNTING OPTIONS**

HORIZONTAL MOUNTING DETAILS



MOUNTING BRACKETS



SIDE VIEW

● **OTHER MOUNTING OPTIONS**

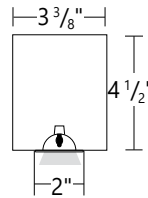
TWIN BEAM3 SurroundLite is also available with pendant mounted option.

i Specification sheets and installation sheets for all mountings for TWIN BEAM3 SurroundLite luminaires are available for download at www.axislighting.com

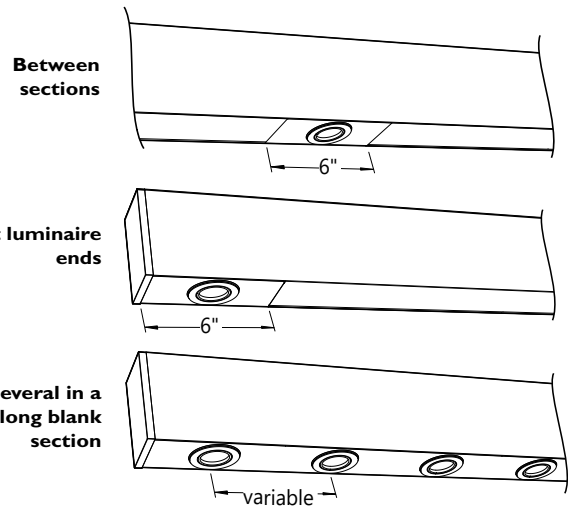
● **DOWNLIGHT MODLE LED**

Blank DMLED Quantity Extruded aluminum (0.075" nominal) 1.4" diameter
For every 4' section, there may be up to a maximum of 4 x DMLED lamps.

Spacing Each DMLED lamp is placed centered on a blank section 6" in length.



For a series of MR11's within a given section length, they will be spaced evenly on a longer blank section. The directed light of DMLED lamps are fixed downward. Custom spacing may be available on special request.



Beam Angle 45 nominal degrees
Input Watts 3W
Nominal Lumens 50 lumens
Efficacy 17 lumens per watt
Color Rendering Index (CRI) 80
Life 25,000 hours at L₇₀
Correlated color temperature (CCT) 2700K

i More options are available upon request. Please consult factory.

● **FINISH**

Aluminium paint, powder coated and custom finishes are also available.

● **APPROVALS**

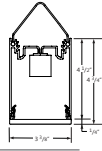
Certified to UL and CSA standards
Meets NYC requirements
Meets ADA requirements.
Suitable for damp locations.



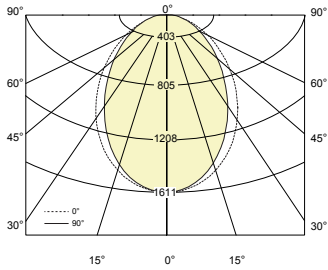
● **PHOTOMETRIC DATA**

0.25G 0.25" Glo lens

Uplight
0 lm/ft
Downlight
500 lm/ft



PHOTOMETRIC CURVE



Lumen/ft up: 0 lm/ft
Lumen/ft down: 585 lm/ft
Total Lumens: 2338 lm (for 4ft)
Input Watts: 19.6 W
Efficacy: 119 lm/W

IES FILE: TB3DILED-0-500-80-35-0.25G-4.IES

TESTED ACCORDING TO IES LM-79-2008

CANDELA DISTRIBUTION

Vertical Angle	Horizontal Angles				
	0	22.5	45	67.5	90
0	1045	1045	1045	1045	1045
5	1038	1038	1036	1035	1035
15	982	978	967	957	952
25	875	865	841	817	807
35	729	715	681	648	634
45	564	550	515	482	468
55	400	391	364	338	328
65	254	250	235	221	215
75	130	132	132	129	127
85	38	45	54	59	61
90	4	14	25	33	36

ZONAL LUMENS

Zone	Lumens
0	
0-10	98
10-20	272
20-30	387
30-40	426
40-50	398
50-60	326
60-70	234
70-80	139
80-90	58
90	

LUMINANCE DATA (cd/m²)

Vertical Angle	Horizontal Angles		
	0	45	90
45	7602	6951	6317
55	6649	6050	5446
65	5721	5304	4846
75	4787	4849	4697
85	4130	5880	6651