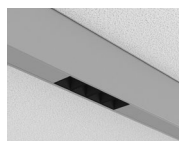


Accent regular shown



MikroLite 1.0 shown

Project _____

Type _____

Notes _____

MikroLite™

PERFORMANCE PER LINEAR FOOT AT 3500K AT 80 CRI

	NOMINAL LUMEN OUTPUT	INPUT WATTS*	EFFICACY
SO lens Option only	200 lm/ft	2.3 W/ft	88 lm/W
	300 lm/ft	3.15 W/ft	95 lm/W
	400 lm/ft	4.1W/ft	98 lm/W
Micro louver Option only	200 lm/ft	3.2 W/ft	71 lm/W
	300 lm/ft	4.1 W/ft	74 lm/W
	450 lm/ft	6.1 W/ft	74 lm/W
	600 lm/ft	8.1 W/ft	75 lm/W

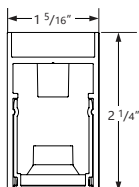
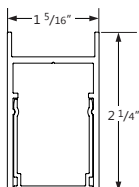
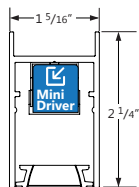
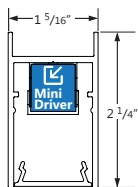
* Based on a 4 foot luminaire using one driver
Please consult factory for custom lumen output and wattage.

Spotless Lens

Micro Louver

Blank

MikroLite 1.0



See page 4 for Accent section views

Ordering Guide

STSLF	SHIELDING	NOM. LUMENS/FT DOWN	TOTAL LENGTH - BLANK (OPT.)	CRI	COLOR TEMP.	LENGTH
STSLF Stencil Surface Linear - Flush	SO spotless lens	200 200 lm/ft	B(#) blank	80 80 CRI	27 2700 K	2 2' *
	ML micro louver	300 300 lm/ft		90 90 CRI	30 3000 K	3 3'
	NO no shielding*	400 400 lm/ft			35 3500 K	4 4'
		200 200 lm/ft			40 4000 K	5 5'
		300 300 lm/ft				6 6'
		450 450 lm/ft				8 8'
		600 600 lm/ft				S# system run
	For combined shielding see forms spec sheet (STSPF). *Choose for accent only or MikroLite only.	Applies to all downlight segments.	Available in any length; min 7", max 8'.			* 2' sections are NOT available with micro louver optic. Lit segments are available in 1' increments. Lengths suitable for 30x30 grid are available, please consult factory for more information.

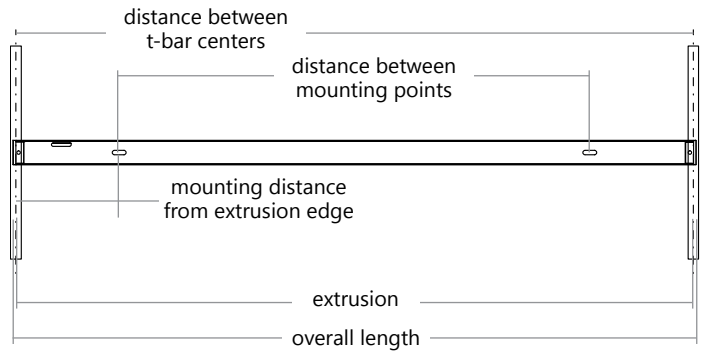
MikroLite MODULE (OPT.)	MikroLite CRI (OPT.)	MikroLite COLOR TEMP (OPT.)	MikroLite DOWNLIGHT CELL FINISH (OPT.)	FINISH	VOLTAGE	DRIVER	CIRCUITS
MKL(#) MikroLite module	80 80 CRI 90 90 CRI	27 2700K 30 3000K 35 3500K 40 4000K	GR gray W white BLK black	AP aluminum paint W white BLK black C custom	120 120 V 277 277 V 347 347 V * UNV universal	MD integral mini driver 0-10V dimming (2%)	1 1 circuit 2 2 circuits +E(#) emergency circuit * +NL(#) night light circuit
1 module contains 4 MikroLites; Module length is 4". 500 lm/module See page 4 for more information.					* Consult factory	Only integral 0-10V mini driver available	* Specify quantity

Ordering Guide-Accent Only (Optional)

MOUNTING / SUSPENSION	BATTERY - REMOTE (OPT.)	CUSTOM (OPT.)	ACCENT QUANTITY	ACCENT OPTIONS	BEAM	ACCENT FINISH
SB9 surface TB 9/16 SB15 surface TB 15/16 SG9 surface TG 9/16 SG15 surface TG 15/16 SBS surface screw slot t-bar S surface drywall ceiling *SC surface solid ceiling	B(#) remote battery pack	C custom	AC(#) accent quantity ACH(#) accent quantity on hub	R regular S snoot	D20 20 deg D35 35 deg	AP aluminum paint W white BLK black
Specify length * Please consult factory for power feed options available for your ceiling type and application.	Remote only Not available with 347V Please consult factory	Please specify	Only available in 500 lumens, 3000 K, 80 CRI with 0-10V dimming (5%). Minimum spacing between Accents is 4". Accent provided on blank section by default (min length 3'). See page 5 for more information.	See page 4 for more information.		

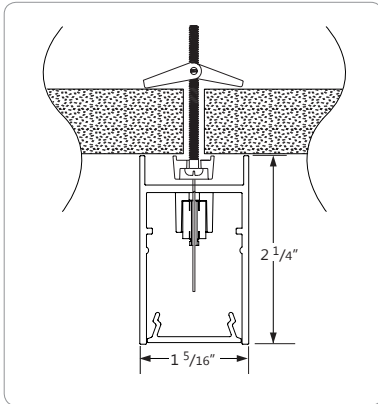
● **SEGMENT LENGTHS AND MOUNTING POINTS**

Flat End Caps					
Segment length		Extrusion	Mounting Distance from edge	Between mounting points	Overall length
Feet	Inches	Inches	Inches	Inches	Inches
2	24	24.188	5.5	13.188	24.488
2.5	30	30.000	5.5	19.000	30.300
3	36	36.000	5.5	25.000	36.300
4	48	48.000	5.5	37.000	48.300
5	60	60.000	5.5	49.000	60.300
6	72	72.000	5.5	61.000	72.300
7	84	84.000	5.5	73.000	84.300
7.5	90	90.000	5.5	79.000	90.300
8	96	96.000	5.5	85.000	96.300

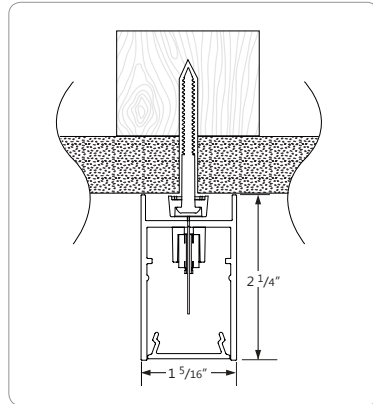


● SURFACE MOUNTING OPTIONS

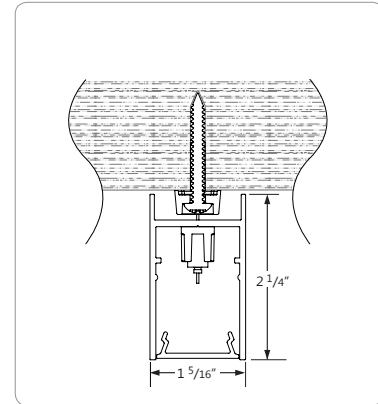
DRYWALL CEILING



S SURFACE DRYWALL CEILING

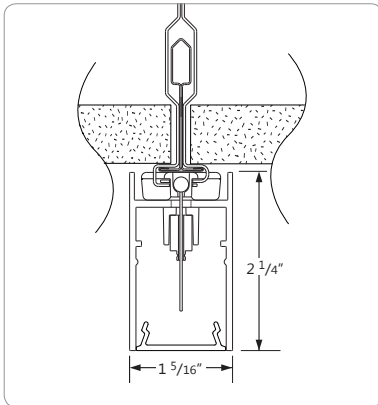


SC SURFACE DRYWALL THROUGH STUD

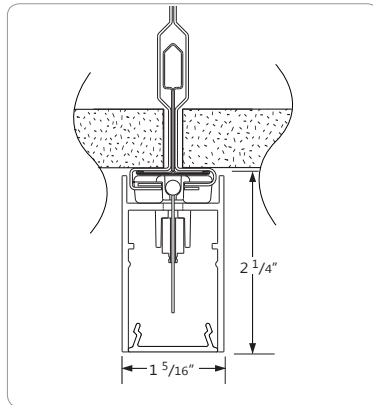


SC SURFACE SOLID CEILING

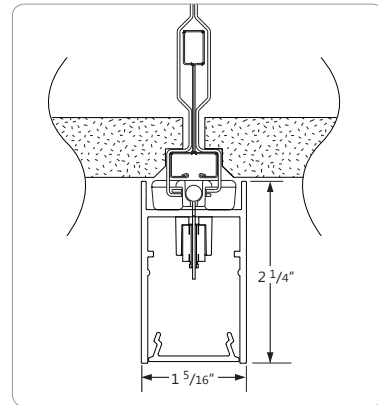
T-BAR CEILING



SB9 SURFACE 9/16" T-BAR - ON-GRID

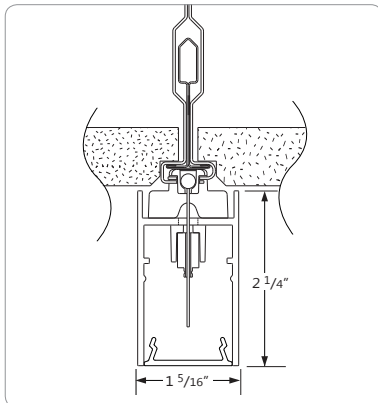


SB15 SURFACE 15/16" T-BAR - ON-GRID

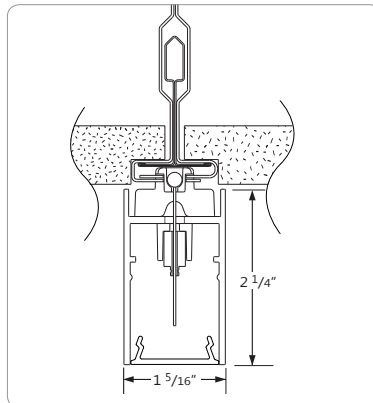


ST SURFACE SCREW SLOT T-BAR

TEGULAR CEILING

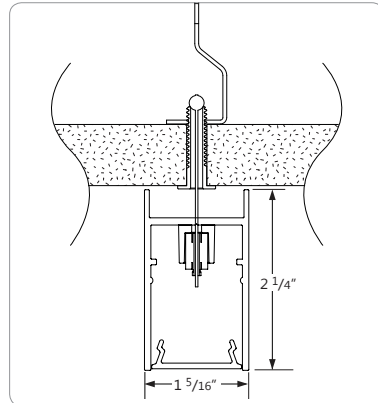


SG9 SURFACE TEGULAR 9/16 - ON-GRID



SG15 SURFACE TEGULAR 15/16 - ON-GRID

T-BAR AND TEGULAR CEILING



SG9/SG15 SURFACE TEGULAR / T-BAR - OFF-GRID
SB9/SB15

i Shown with spotless lens shielding option.

LED SYSTEM

CRI	Minimum 80 or 90 color rendering index
CCT	Choice of 2700K, 3000K, 3500K and 4000K color temperature with a great color consistency (within 3.0-step MacAdam ellipse).
LED life	Minimum 50,000h with 85% of lumen maintenance in 25°C ambient temperature, in compliance with IES LM-80 testing measurements.
Thermal Management	Aluminum housing acting as the heat sink to maximize life.
Performance	Up to 108 lm/W.

CONSTRUCTION

Housing	Extruded aluminum (0.070" nominal)
End Cap+ Joiner	Die cast aluminum
Reflectors	Extruded acrylic
Lenses	Extruded acrylic
Suspension	1/32" Aircraft cable
Cable Grips	Quick Connecting / Release

ELECTRICAL


Mini driver	STENCIL SURFACE features integral mini driver technology. 0-10V 2% dimming standard. The integral mini driver is the only driver available.
Emergency	Remote emergency battery pack or emergency circuit optional.
Input Voltage	120V, 277V, UNV, 347V

i Incorporating these components may have limitations or affect the length of the luminaire, please contact factory for more details.

WARRANTY

Axis Lighting will warrant defective LEDs, boards, and drivers for 5 years from date of purchase. Warranty is valid if luminaire is installed and used according to specifications. If defective, Axis will send replacement boards or drivers at no cost along with detailed replacement instructions and instructions on how to return defective components to Axis.

APPROVALS

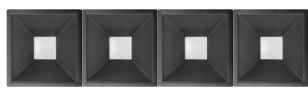
Certified to UL and CSA standards  Suitable for damp locations.

STENCIL SURFACE SEGMENTS

STENCIL SURFACE lit segments are available in lengths of 2' to 8' in one foot increments. Unlit blank segments are available in any length from 7" to 8'. Segments exceeding 8' in length are comprised of a combination of lengths to be assembled on site with an Inline Hub. Minimum blank segment length for one Accent is 3'.

For more information on systems and joining, please refer to the STENCIL SURFACE installation sheets available for download at www.axislighting.com.

STENCIL SURFACE WITH MIKROLITE 1.0



4"
 1 module contains 4 Mikrolites

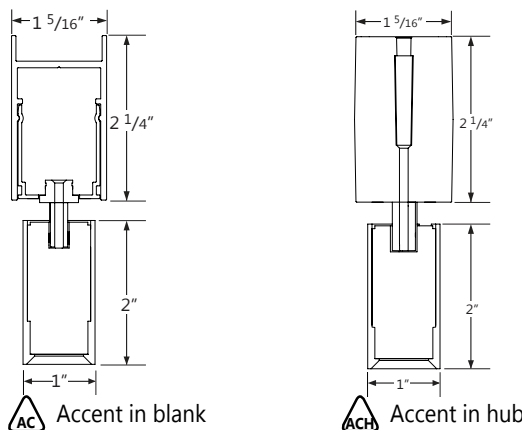
LIGHT GUIDE

High precision light guide made of PMMA material, allows distribution of controlled light in all 3-dimensions to put light on both vertical and horizontal planes within the space. Patented lightguide design featuring molecular optics and precision-coupled optic components yield a high efficiency luminaire. In-plane mixing maximizes color uniformity while light emitting area is uniform and diffuse without 'head lighting' from the LED's.

FINISH

Powder coated and custom finishes are also available.

STENCIL SURFACE WITH ACCENT SECTION VIEW



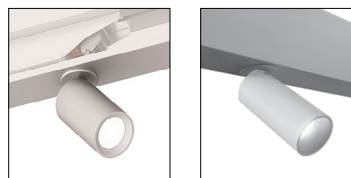
ACCENT EFFICACY

3 Accents /Driver 120V, 21W, 0.18A; 277V, 21.5W, 0.10A.

1 Accent /Driver 120V, 8W, 0.12A; 277V, 8.4W, 0.06A.

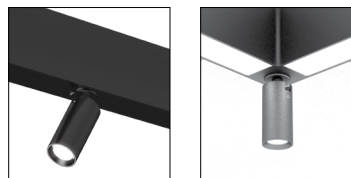
NOTE: Configuration of multiple accents with different drivers will change efficacy values.

ACCENT OPTIONS



Regular shown Snoot shown

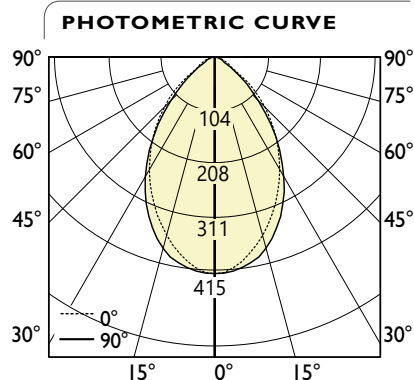
Accent positioning options.



Accent on segment Accent on hub

● PHOTOMETRIC DATA - DIRECT

Micro Louver 150 lm/ft



Direct Output: 150 lm/ft
Total Lumens: 600 lm (for 4ft)
Input Watts: 9.1 W
Efficacy: 66 lm/W

80 CRI shown. For 90 CRI, divide wattage by 0.8 and multiply efficacy by 0.8.
 IES FILE: STSLF-ML-150-80-35-4.IES
 TESTED ACCORDING TO IES LM-79-2008

CANDELA DISTRIBUTION

Vertical Angle	Horizontal Angles				
	0	22.5	45	67.5	90
0	415	415	415	415	415
5	406	406	408	410	411
15	354	356	364	374	380
25	286	289	293	300	310
35	212	214	211	210	218
45	137	136	129	119	121
55	62	65	61	52	49
65	28	26	23	20	19
75	13	13	11	10	10
85	4	3	3	3	3
90	0	0	0	0	0

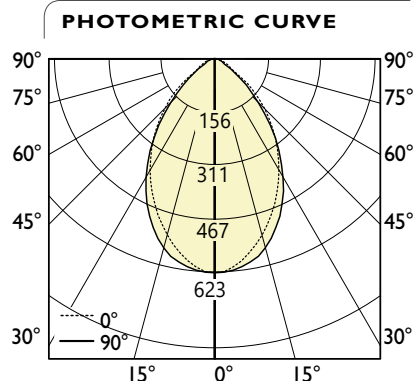
ZONAL LUMENS

Zone	Lumens
0	38
0-10	102
10-20	135
20-30	132
30-40	99
40-50	53
50-60	24
60-70	12
70-80	4
80-90	0
90	0

LUMINANCE DATA (cd/m²)

Vertical Angle	Horizontal Angles		
	0	45	90
45	8215	7726	7251
55	4560	4492	3651
65	2766	2328	1950
75	2199	1822	1659
85	1731	1666	1554

Micro Louver 225 lm/ft



Direct Output: 225 lm/ft
Total Lumens: 900 lm (for 4ft)
Input Watts: 12.6 W
Efficacy: 71 lm/W

80 CRI shown. For 90 CRI, divide wattage by 0.8 and multiply efficacy by 0.8.
 IES FILE: STSLF-ML-225-80-35-4.IES
 TESTED ACCORDING TO IES LM-79-2008

CANDELA DISTRIBUTION

Vertical Angle	Horizontal Angles				
	0	22.5	45	67.5	90
0	623	623	623	623	623
5	610	610	612	616	617
15	532	535	546	562	571
25	430	433	440	451	466
35	319	321	316	315	327
45	205	204	193	178	181
55	92	98	91	77	74
65	41	39	35	30	29
75	20	19	17	16	15
85	5	5	5	5	5
90	1	1	1	1	1

ZONAL LUMENS

Zone	Lumens
0	58
0-10	154
10-20	203
20-30	198
30-40	148
40-50	80
50-60	36
60-70	18
70-80	6
80-90	0
90	0

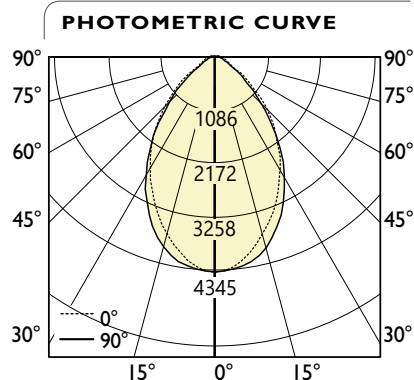
LUMINANCE DATA (cd/m²)

Vertical Angle	Horizontal Angles		
	0	45	90
45	6841	6739	5477
55	4150	3492	2925
65	3299	2734	2490
75	2597	2500	2331
85	11262	17772	26347

i All IES files are available for download at: www.axislighting.com

● PHOTOMETRIC DATA - DIRECT

Micro Louver 300 lm/ft



Direct Output: 300 lm/ft
Total Lumens: 1200 lm (for 4ft)
Input Watts: 16.3 W
Efficacy: 74 lm/W

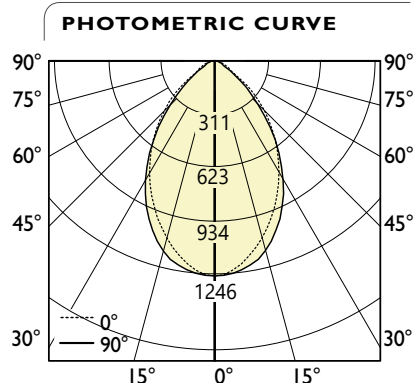
80 CRI shown. For 90 CRI, divide wattage by 0.8 and multiply efficacy by 0.8.
 IES FILE: STSLF-ML-300-80-35-4.IES
 TESTED ACCORDING TO IES LM-79-2008

Vertical Angle	Horizontal Angles				
	0	22.5	45	67.5	90
0	830	830	830	830	830
5	812	812	816	821	823
15	709	713	727	749	761
25	573	578	586	601	621
35	425	427	421	420	436
45	274	272	257	238	242
55	123	130	121	103	99
65	55	53	46	40	39
75	27	26	22	21	20
85	7	7	7	7	6
90					

Zone	Lumens
	0
0-10	205
10-20	271
20-30	265
30-40	198
40-50	106
50-60	47
60-70	25
70-80	8
80-90	
90	

Vertical Angle	Horizontal Angles		
	0	45	90
45	16430	15453	14503
55	9120	8983	7301
65	5532	4655	3899
75	4397	3645	3319
85	3463	3333	3108

Micro Louver 450 lm/ft



Direct Output: 450 lm/ft
Total Lumens: 1801 lm (for 4ft)
Input Watts: 24.2 W
Efficacy: 74 lm/W

80 CRI shown. For 90 CRI, divide wattage by 0.8 and multiply efficacy by 0.8.
 IES FILE: STSLF-ML-450-80-35-4.IES
 TESTED ACCORDING TO IES LM-79-2008

Vertical Angle	Horizontal Angles				
	0	22.5	45	67.5	90
0	1246	1246	1246	1246	1246
5	1219	1219	1225	1232	1235
15	1064	1069	1091	1123	1142
25	859	867	879	901	931
35	637	641	632	631	654
45	410	409	386	357	362
55	185	195	182	155	148
65	83	79	70	61	58
75	40	38	33	31	30
85	11	10	10	10	10
90					

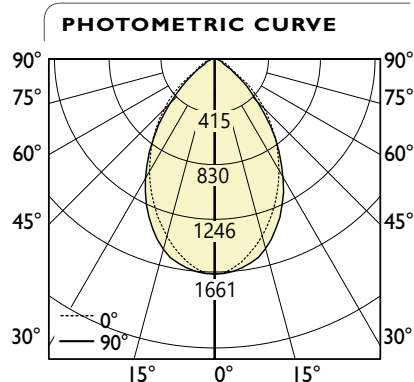
Zone	Lumens
	0
0-10	307
10-20	406
20-30	397
30-40	297
40-50	159
50-60	71
60-70	37
70-80	11
80-90	
90	

Vertical Angle	Horizontal Angles		
	0	45	90
45	24651	23185	21759
55	13683	13478	10954
65	8300	6984	5850
75	6598	5468	4979
85	5195	5000	4663

i All IES files are available for download at: www.axislighting.com

● PHOTOMETRIC DATA - DIRECT

Micro Louver 600 lm/ft



Direct Output: 600 lm/ft
Total Lumens: 2401 lm (for 4ft)
Input Watts: 32.2 W
Efficacy: 75 lm/W

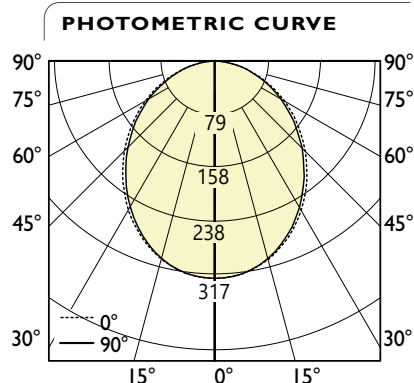
80 CRI shown. For 90 CRI, divide wattage by 0.8 and multiply efficacy by 0.8.
 IES FILE: STSLF-ML-600-80-35-4.IES
 TESTED ACCORDING TO IES LM-79-2008

Vertical Angle	Horizontal Angles				
	0	22.5	45	67.5	90
0	1661	1661	1661	1661	1661
5	1625	1625	1633	1642	1646
15	1418	1425	1455	1497	1522
25	1145	1155	1172	1202	1242
35	849	855	842	841	871
45	547	545	515	476	483
55	246	260	243	206	197
65	110	105	93	81	78
75	54	51	44	41	40
85	14	14	14	13	13
90	2	2	2	2	2

Zone	Lumens
	0
0-10	409
10-20	541
20-30	529
30-40	396
40-50	212
50-60	95
60-70	49
70-80	15
80-90	
90	

Vertical Angle	Horizontal Angles		
	0	45	90
45	32860	30906	29005
55	18239	17966	14602
65	11064	9310	7798
75	8795	7289	6637
85	6925	6665	6216

Spotless Lens 200 lm/ft



Direct Output: 200 lm/ft
Total Lumens: 800 lm (for 4ft)
Input Watts: 9.1 W
Efficacy: 88 lm/W

80 CRI shown. For 90 CRI, divide wattage by 0.8 and multiply efficacy by 0.8.
 IES FILE: STSLF-SO-200-80-35-4.IES
 TESTED ACCORDING TO IES LM-79-2008

Vertical Angle	Horizontal Angles				
	0	22.5	45	67.5	90
0	317	317	317	317	317
5	315	315	315	315	315
15	299	299	299	298	298
25	270	270	268	267	266
35	231	231	228	226	225
45	187	186	183	180	179
55	140	140	137	134	133
65	94	94	92	90	89
75	48	49	49	48	47
85	12	12	12	11	11
90	1	1	1	1	1

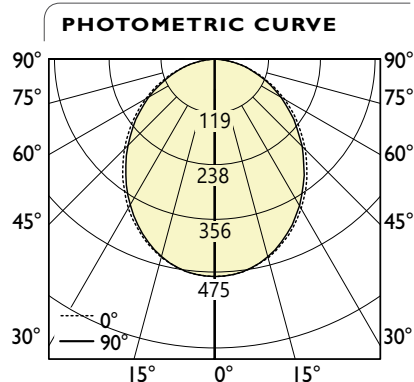
Zone	Lumens
	0
0-10	84
10-20	123
20-30	143
30-40	141
40-50	123
50-60	91
60-70	51
70-80	14
80-90	
90	

Vertical Angle	Horizontal Angles		
	0	45	90
45	7985	7851	7675
55	7389	7239	7033
65	6701	6567	6363
75	5668	5694	5514
85	4079	4203	3874

i All IES files are available for download at: www.axislighting.com

● PHOTOMETRIC DATA - DIRECT

Spotless Lens 300 lm/ft



Direct Output: 300 lm/ft
Total Lumens: 1200 lm (for 4ft)
Input Watts: 12.6 W
Efficacy: 95 lm/W

80 CRI shown. For 90 CRI, divide wattage by 0.8 and multiply efficacy by 0.8.
 IES FILE: STSLF-SO-300-80-35-4.IES
 TESTED ACCORDING TO IES LM-79-2008

CANDELA DISTRIBUTION

Vertical Angle	Horizontal Angles				
	0	22.5	45	67.5	90
0	475	475	475	475	475
5	472	472	472	472	472
15	449	449	448	447	447
25	405	405	403	400	399
35	346	346	342	338	337
45	280	280	275	271	269
55	210	210	206	202	200
65	140	140	138	135	133
75	73	74	73	72	71
85	18	18	18	17	17
90					

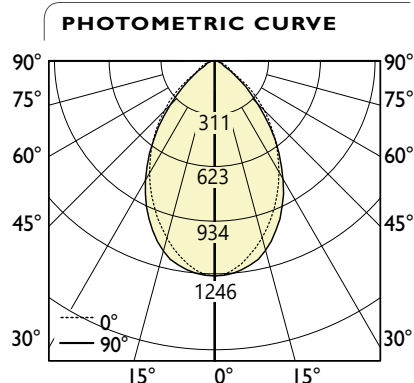
ZONAL LUMENS

Zone	Lumens
0	45
0-10	126
10-20	185
20-30	214
30-40	212
40-50	184
50-60	136
60-70	77
70-80	21
80-90	21
90	

LUMINANCE DATA (cd/m²)

Vertical Angle	Horizontal Angles		
	0	45	90
45	11978	11776	11513
55	11084	10859	10550
65	10051	9851	9544
75	8502	8542	8271
85	6118	6304	5810

Spotless Lens 400 lm/ft



Direct Output: 400 lm/ft
Total Lumens: 1600 lm (for 4ft)
Input Watts: 16.3 W
Efficacy: 98 lm/W

80 CRI shown. For 90 CRI, divide wattage by 0.8 and multiply efficacy by 0.8.
 IES FILE: STSLF-SO-400-80-35-4.IES
 TESTED ACCORDING TO IES LM-79-2008

CANDELA DISTRIBUTION

Vertical Angle	Horizontal Angles				
	0	22.5	45	67.5	90
0	633	633	633	633	633
5	630	629	630	630	630
15	598	598	598	597	596
25	540	540	537	533	532
35	462	461	456	451	449
45	373	373	367	361	359
55	280	280	275	269	267
65	187	187	183	179	178
75	97	98	97	95	94
85	24	25	24	23	22
90					

ZONAL LUMENS

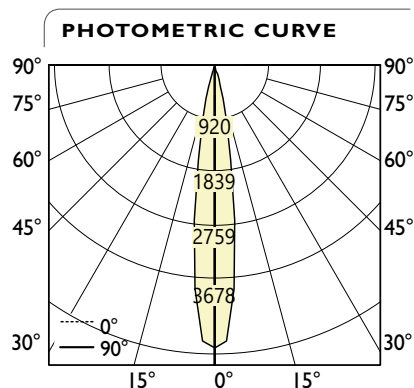
Zone	Lumens
0	60
0-10	168
10-20	247
20-30	285
30-40	283
40-50	245
50-60	181
60-70	103
70-80	28
80-90	28
90	

LUMINANCE DATA (cd/m²)

Vertical Angle	Horizontal Angles		
	0	45	90
45	15971	15701	15351
55	14778	14479	14067
65	13401	13134	12725
75	11335	11389	11028
85	8157	8405	7747

● PHOTOMETRIC DATA - ACCENTS

Accent 20 degree



Total Lumens: 391 lm (for 1 accent)
Input Watts: 7.9 W
Efficacy: 49 lm/W

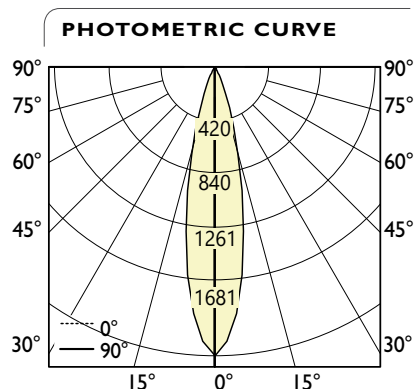
80 CRI shown. For 90 CRI, divide wattage by 0.8 and multiply efficacy by 0.8.
 IES FILE: Stencil-AC-D20(A17399G-20 DG).IES
 TESTED ACCORDING TO IES LM-79-2008

Vertical Angle	Horizontal Angles				
	0	22.5	45	67.5	90
0	3605	3605	3605	3605	3605
5	2668	2516	1376	2760	2863
15	398	366	183	405	422
25	50	48	23	57	53
35	12	11	5	12	12
45	6	6	3	6	6
55	4	4	2	4	4
65	3	3	1	3	3
75	1	1	0	1	1
85	0	0	0	0	0
90	0	0	0	0	0

Zone	Lumens
	0
0-10	131
10-20	29
20-30	8
30-40	4
40-50	4
50-60	3
60-70	1
70-80	0
80-90	0
90	0

Vertical Angle	Horizontal Angles		
	0	45	90
45	16184	7724	16550
55	14208	6951	14208
65	12306	6360	13742
75	5358	3013	6027
85	1986	1005	5958

Accent 35 degree



Total Lumens: 355 lm (for 1 accent)
Input Watts: 6.8 W
Efficacy: 52 lm/W

80 CRI shown. For 90 CRI, divide wattage by 0.8 and multiply efficacy by 0.8.
 IES FILE: Stencil-AC-D35(A18322G-35 DG).IES
 TESTED ACCORDING TO IES LM-79-2008

Vertical Angle	Horizontal Angles				
	0	22.5	45	67.5	90
0	1681	1681	1681	1681	1681
5	1442	1453	1453	1455	1453
15	527	518	518	512	506
25	110	109	112	108	105
35	25	25	25	25	24
45	9	9	9	9	9
55	5	5	5	5	5
65	3	3	3	3	3
75	1	1	1	1	1
85	0	0	0	0	0
90	0	0	0	0	0

Zone	Lumens
	0
0-10	145
10-20	55
20-30	17
30-40	7
40-50	5
50-60	3
60-70	1
70-80	0
80-90	0
90	0

Vertical Angle	Horizontal Angles		
	0	45	90
45	30812	31571	30121
55	21803	22482	21803
65	15718	15604	16184
75	4908	4908	5289
85	2236	1684	2236

i All IES files are available for download at: www.axislighting.com