



Project _____

Type _____

Notes _____

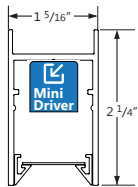
PERFORMANCE PER LINEAR FOOT AT 3500K AT 80CRI

NOMINAL LUMEN OUTPUT	INPUT WATTS*	EFFICACY
600 lm/ft	6.1 W/ft	106 lm/W

* Based on a 4 foot luminaire using one driver
Please consult factory for custom lumen output and wattage.



Spotless Lens - Regressed



A configuration drawing is required

Factory is available for assistance

See page 2 for example of how to specify

Ordering Guide

STFSR		TOTAL LENGTH & NOM. LUMENS/FT - DIRECT				CRI		COLOR TEMP.		HUB QUANTITY											
PRODUCT ID	SO(length-lumen)	spotless lens	200	200 lm/ft	300	300 lm/ft	400	400 lm/ft	80	80 CRI	27	2700 K	30	3000 K	35	3500 K	40	4000 K	AL(#)	L Hub (90°)	
STFSR Stencil Surface Forms - Regressed																				+AT(#)	T Hub (90°)
																				+AX(#)	X Hub (90°)
																				+AY(#)	Y Hub (120°)
																				+AH(#)	Hex Hub (120°)
																				+AI(#)	Inline Hub (180°)
Lit segments are available in 1" increments; Segment length from 2' to 8' continuous. 2' sections are NOT available with micro louver optic. Lengths suited for 30x30 grid are available, please consult factory for more information.																					

FINISH	REGRESS FINISH	VOLTAGE	DRIVER	CIRCUITS	MOUNTING/SUSPENSION	BATTERY - REMOTE (OPTIONAL)	CUSTOM (OPTIONAL)
AP aluminum paint	BLK black	120 120 V	MD integral mini driver	1 1 circuit	SB9 surface TB 9/16	B(#) remote battery pack	C custom
W white	AP aluminum paint	277 277 V	0-10V dimming (2%)	2 2 circuits	SB15 surface TB 15/16		
BLK black	OGD optical gold*	347 347 V*		+E(#) emergency circuit*	SG9 surface TG 9/16		
C custom		UNV universal		+NL(#) night light circuit	SG15 surface TG 15/16		
					SBS surface screw slot t-bar		
					S surface drywall ceiling		
					*SC surface solid ceiling		
	* See page 3 for more details.	*Consult factory	Only integral 0-10V mini driver available	* Specify quantity	Specify length * Please consult factory for power feed options available for your ceiling type and application.	Remote only	Please specify

Ordering Guide-Accent Only (Optional)

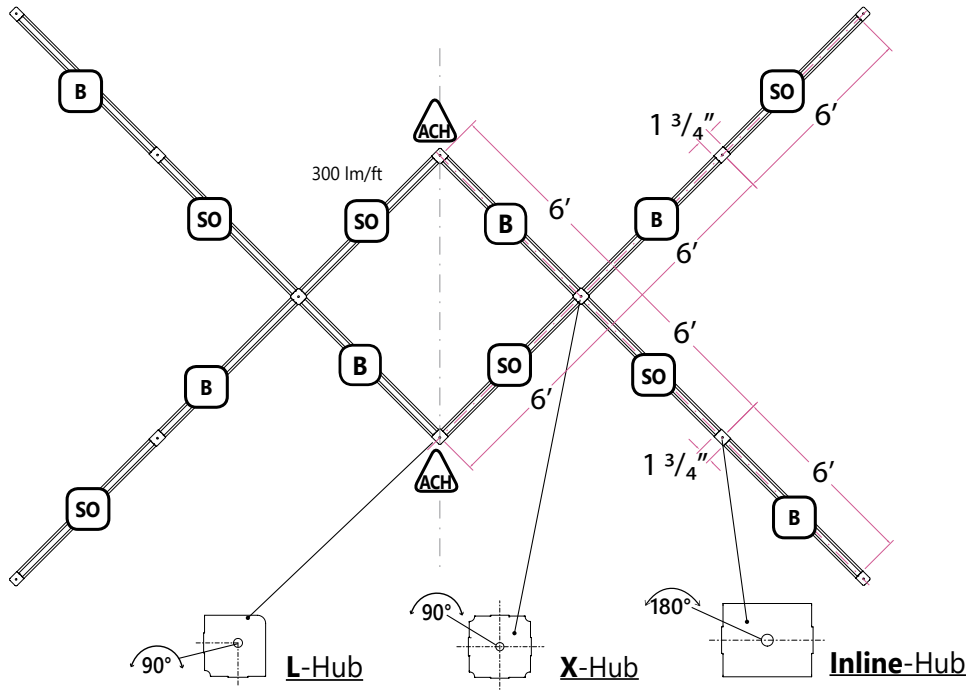
ACCENT QUANTITY	ACCENT OPTIONS	BEAM	ACCENT FINISH
ACH(#) accent quantity on hub	R regular S snoot	D20 20 deg D35 35 deg	AP aluminum paint W white BLK black
Only available in 500 lumens, 3000 K, 80 CRI with 0-10V dimming (5%). Available on hub only. See page 5 for more information.			

How to Specify Total Linear Length, Distributions & Hubs

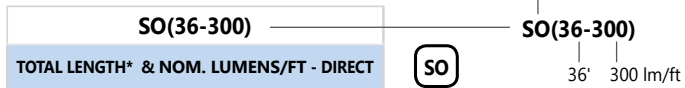
Example

SO Spotless lens

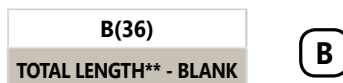
B Blank



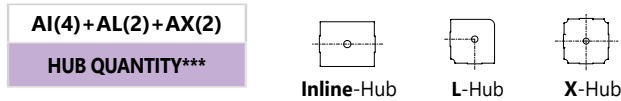
1. Specify Total Length - Spotless Lens



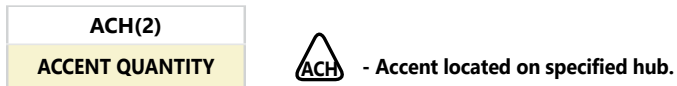
3. Specify Total Length - Blank



4. Specify Hub Quantity



5. Specify Accent Quantity (if necessary)



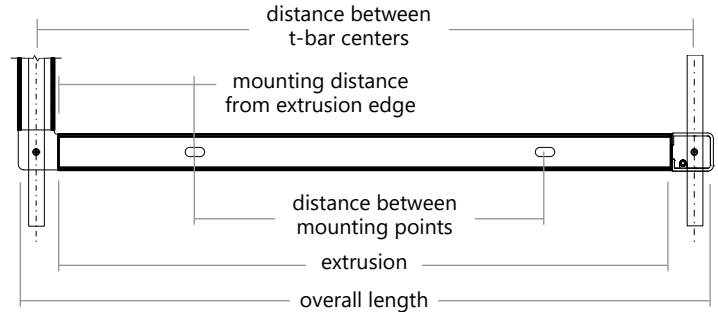
*Segment length from 2' to 8' continuous in one foot increments. Specify total linear length of each distribution.

**Blank segments: available in any length; min 7", max 8'.

***Specify total quantity of Hubs.

● SEGMENT LENGTHS AND MOUNTING POINTS

Hub End Caps					
Segment length		Extrusion	Mounting Distance from edge	Between mounting points	Overall length
Feet	Inches	Inches	Inches	Inches	Inches
2	24	22.375	4.6875	13.000	25.375
2.5	30	28.375	4.6875	19.000	31.375
3	36	34.375	4.6875	25.000	37.375
4	48	46.375	4.6875	37.000	49.375
5	60	58.375	4.6875	49.000	61.375
6	72	70.375	4.6875	61.000	73.375
7	84	82.375	4.6875	73.000	85.375
7.5	90	88.375	4.6875	79.000	91.375
8	96	94.375	4.6875	85.000	97.375



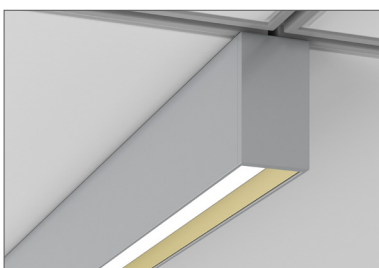
● HUB SERIES A

Patent-pending system combining mechanical, electrical and suspension functions. Non-illuminated lighting segment connectors:

L-Hub (90°), T-Hub (90°), X-Hub (90°), Y-Hub (120°), Hex-Hub (120°), Inline-Hub (180°), and Hub-end cap.

L-Hub	T-Hub	X-Hub	Y-Hub-120	Hex-Hub	Inline -Hub	End cap-Hub

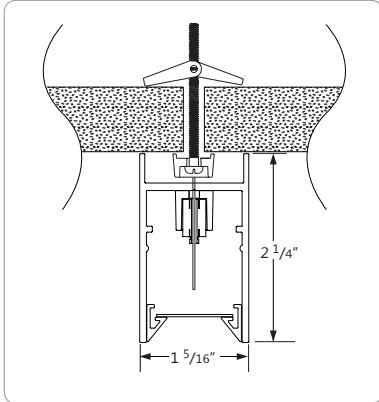
● REGRESS FINISH



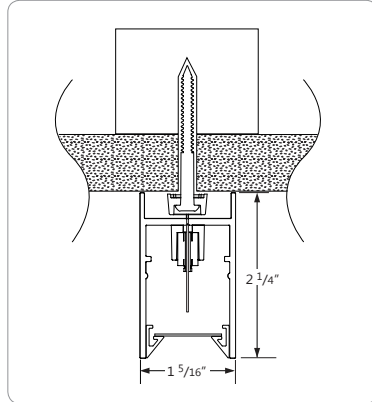
Gold regressed finish improves visual comfort by providing a soft, luxurious glow at the fixture level.

● SURFACE MOUNTING OPTIONS

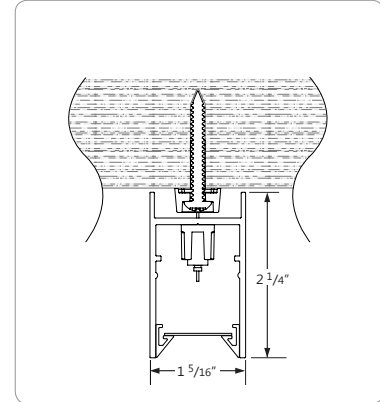
DRYWALL CEILING



S SURFACE DRYWALL CEILING

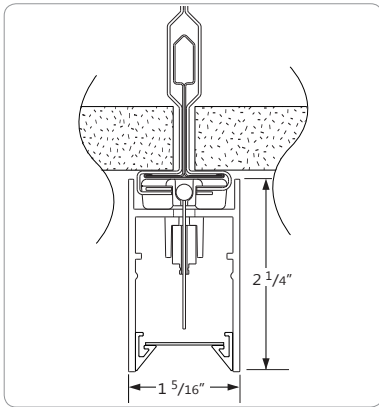


SC SURFACE DRYWALL THROUGH STUD

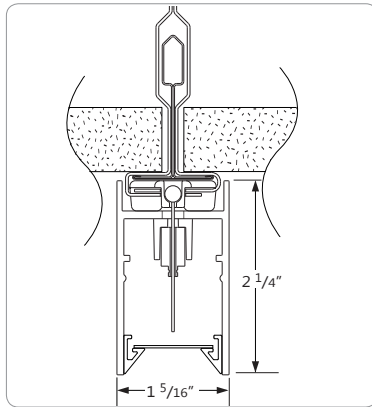


SC SURFACE SOLID CEILING

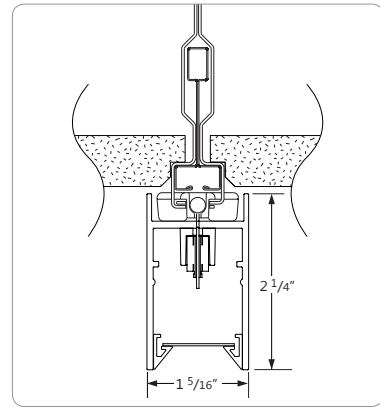
T-BAR CEILING



SB9 SURFACE 9/16" T-BAR - ON-GRID

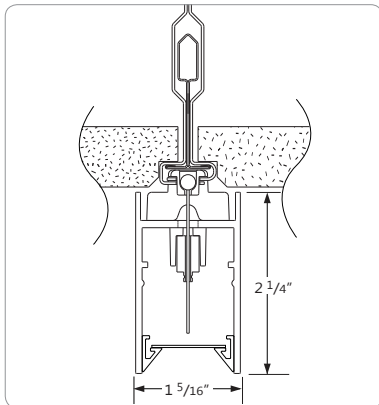


SB15 SURFACE 15/16" T-BAR - ON-GRID

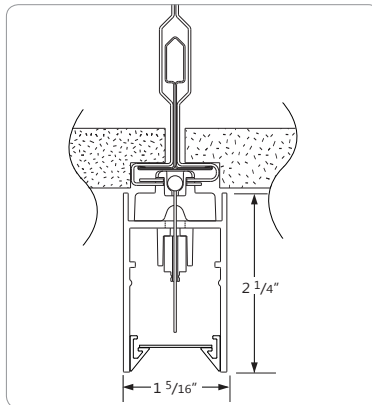


ST SURFACE SCREW SLOT T-BAR

TEGULAR CEILING

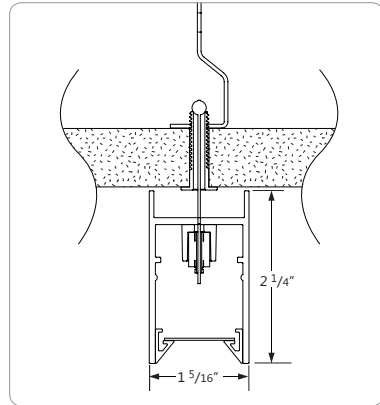


SG9 SURFACE TEGULAR 9/16 - ON-GRID



SG15 SURFACE TEGULAR 15/16 - ON-GRID

T-BAR AND TEGULAR CEILING



SG9/SG15 SURFACE TEGULAR / T-BAR - OFF-GRID
SB9/SB15

i Shown with spotless lens shelding option.

LED SYSTEM

CRI	Minimum 80 or 90 color rendering index
CCT	Choice of 2700K, 3000K, 3500K and 4000K color temperature with a great color consistency (within 3.0-step MacAdam ellipse).
LED life	Minimum 50,000h with 85% of lumen maintenance in 25°C ambient temperature, in compliance with IES LM-80 testing measurements.
Thermal Management	Aluminum housing acting as the heat sink to maximize life.
Performance	Up to 108 lm/W.

CONSTRUCTION

Housing	Extruded aluminum (0.070" nominal)
End Cap+ Joiner	Die cast aluminum
Reflectors	Extruded acrylic
Lenses	Extruded acrylic
Suspension	1/32" Aircraft cable
Cable Grips	Quick Connecting / Release

ELECTRICAL


Mini driver	STENCIL SURFACE features integral mini driver technology. 0-10V 2% dimming standard. The integral mini driver is the only driver available.
Emergency	Remote emergency battery pack or emergency circuit optional.
Input Voltage	120V, 277V, UNV, 347V

i Incorporating these components may have limitations or effect the length of the luminaire, please contact factory for more details.

WARRANTY

Axis Lighting will warrant defective LEDs, boards, and drivers for 5 years from date of purchase. Warranty is valid if luminaire is installed and used according to specifications. If defective, Axis will send replacement boards or drivers at no cost along with detailed replacement instructions and instructions on how to return defective components to Axis.

APPROVALS

Certified to UL and CSA standards 
Suitable for damp locations.

STENCIL SURFACE SEGMENTS

STENCIL SURFACE lit segments are available in lengths of 2' to 8' in one foot increments. Unlit blank segments are available in any length from 7" to 8'. Segments exceeding 8' in length are comprised of a combination of lengths to be assembled on site with an Inline Hub. Minimum blank segment length for one Accent is 3'.

For more information on systems and joining, please refer to the STENCIL SURFACE installation sheets available for download at www.axislighting.com.

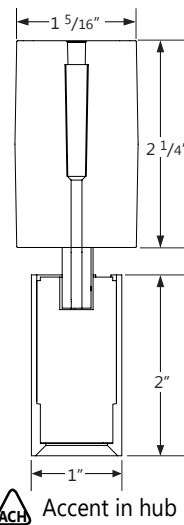
LIGHT GUIDE

High precision light guide made of PMMA material, allows distribution of controlled light in all 3-dimensions to put light on both vertical and horizontal planes within the space. Patented lightguide design featuring molecular optics and precision-coupled optic components yield a high efficiency luminaire. In-plane mixing maximizes color uniformity while light emitting area is uniform and diffuse without 'head lighting' from the LED's.

FINISH

Powder coated and custom finishes are also available.

STENCIL SURFACE WITH ACCENT SECTION VIEW

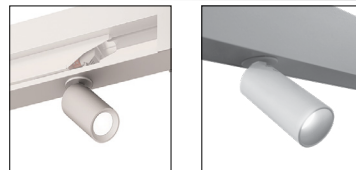


ACCENT EFFICACY

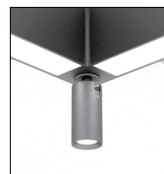
3 Accents /Driver	120V, 21W, 0.18A; 277V, 21.5W, 0.10A.
1 Accent /Driver	120V, 8W, 0.12A; 277V, 8.4W, 0.06A.

NOTE: Configuration of multiple accents with different drivers will change efficacy values.

ACCENT OPTIONS



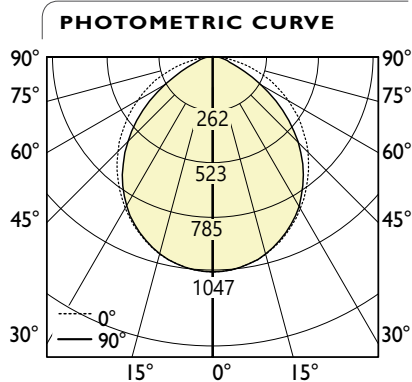
Regular shown Snoot shown
Accent positioning options.



Accent available on hub only.

● PHOTOMETRIC DATA - DIRECT

Spotless Lens
600 lm/ft



Vertical Angle	Horizontal Angles				
	0	22.5	45	67.5	90
0	1047	1047	1047	1047	1047
5	1040	1041	1041	1041	1041
15	994	994	994	994	993
25	908	908	905	902	901
35	791	790	783	772	765
45	653	650	632	602	587
55	503	497	457	400	375
65	343	332	261	192	171
75	181	158	86	73	73
85	43	28	25	24	24
90	2	2	2	2	2

Zone	Lumens
	0
0-10	280
10-20	417
20-30	488
30-40	482
40-50	400
50-60	259
60-70	121
70-80	32
80-90	
90	

Vertical Angle	Horizontal Angles		
	0	45	90
45	26087	25255	23424
55	24761	22507	18455
65	22927	17428	11413
75	19711	9407	7975
85	13815	8245	7635

Direct Output: 600 lm/ft
Total Lumens: 2577 lm (for 4ft)
Input Watts: 24.21 W
Efficacy: 106 lm/W

80 CRI shown. For 90 CRI, divide wattage by 0.8 and multiply efficacy by 0.8.
IES FILE: STSR-SO-600-80-35-4.IES
TESTED ACCORDING TO IES LM-79-2008

i All IES files are available for download at: www.axislighting.com