

Accent shown

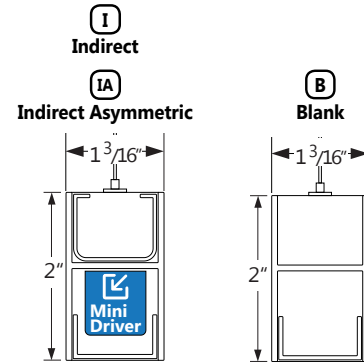
Project _____

Type _____

Notes _____

A configuration drawing is required

Factory is available for assistance
See page 2 for example of how to specify



See page 6 for Accent section views

Ordering Guide

STFI		TOTAL LENGTH & NOM. LUMENS/FT - INDIRECT		TOTAL LENGTH - BLANK (OPTIONAL)	CRI	COLOR TEMP.
PRODUCT ID	STFI Stencil Pendant - Indirect Forms	I(length-lumen) indirect	175 175 lm/ft	+B(#) blank	80 80 CRI	27 2700 K
		+IA(length-lumen) indirect asymmetric	250 250 lm/ft		90 90 CRI	30 3000 K
			350 350 lm/ft			35 3500 K
			500 500 lm/ft			40 4000 K
			700 700 lm/ft			
			1000 1000 lm/ft			
		Lit segments are available in 1' increments. Segment length from 2' to 8' continuous.		Available in any length; min 7", max 8'.	Applies to both Up and Down	Applies to both Up and Down

HUB QUANTITY				HUB QUANTITY (OPT.)		FINISH	VOLTAGE		MD
SERIES A		SERIES B		SERIES S					DRIVER
AL(#) L Hub (90°)	BT(#) Triangle Hub (60°)	SLH(#) L Hub Horizontal (90°)	AP aluminum paint	120 120 V	MD integral mini driver 0-10V dimming (2%)				
+AT(#) T Hub (90°)	+BX(#) X Hub (120°)	SLV(#) L Hub Vertical (90°)	W white	277 277 V					
+AX(#) X Hub (90°)	+BH(#) Hex Hub (120°)		BLK black	347 347 V *					
+AY(#) Y Hub (120°)	+BYN(#) Negative Y Hub (60°/120°)		C custom	UNV universal					
+AYB(#) Y Hub (135°)	+BYP(#) Positive Y Hub (120°/60°)								
+AH(#) Hex Hub (120°)									
+AG(#) Octagon Hub (135°)									
+AI(#) Inline Hub (180°)									
Consult factory for compatibility when mixing series A & B.				Compatible with both Hub series A & B See pages 4-5 for more details		* Consult factory		Only integral 0-10V mini driver available	

CIRCUITS	MOUNTING/SUSPENSION	CANOPY	BATTERY - REMOTE (OPT.)	CUSTOM (OPTIONAL)
1 1 circuit	CA(#) drywall+cable length (36" std.)	RC round canopy	B(#) remote	C custom
2 2 circuits	CT9(#) TB/TG 9/16+cable length (36" std.)	SC square canopy	battery pack	
+E(#) emergency circuit *	CT15(#) TB/TG15/16+cable length (36" std.)			
	CTS(#) ST+cable length (36" std.)			
* Specify quantity	Specify length	White canopy standard	Remote only Not available with 347V Please consult factory	Please specify.

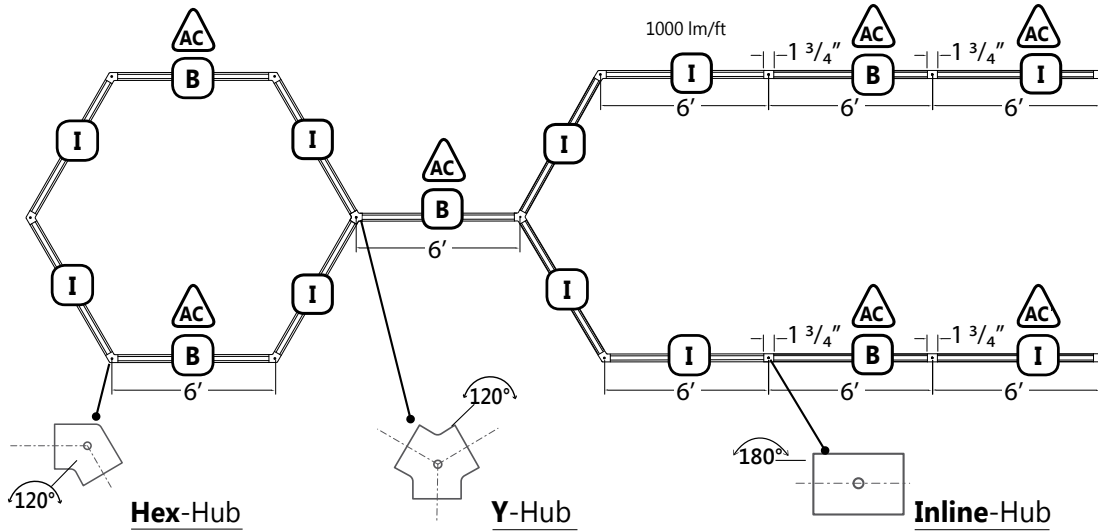
Ordering Guide-Accent Only (Optional)

ACCENT QUANTITY		BEAM	ACCENT FINISH
AC(#) accent quantity		D20 20 deg	AP aluminum paint
		D35 35 deg	W white
			BLK black
<small>Only available in 500 lumens, 3000 K, 80 CRI with 0-10V dimming (5%). Minimum spacing between Accents is 4". Accent provided on blank section by default (min length 3'). Also compatible with indirect segments (min length 6'). See page 6 for more information.</small>			

How to Specify Total Linear Length, Distributions & Hubs

Example

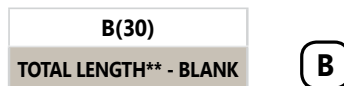
I Indirect **IA** Indirect Asymmetric **B** Blank **AC** Accent



1. Specify Total Length - Indirect



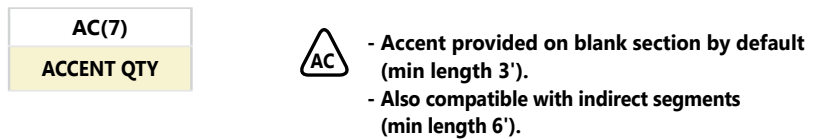
2. Specify Total Length - Blank



3. Specify Hub Quantity



4. Specify Accent Quantity (if necessary)



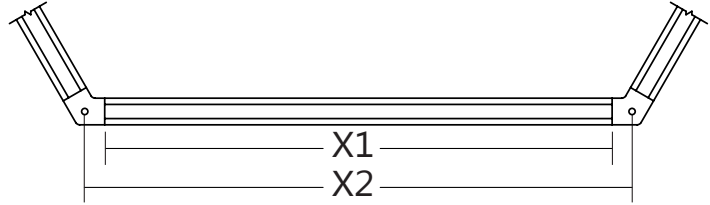
*Segment length from 2' to 8' continuous in one foot increments. Specify total linear length of each distribution.

**Blank segments: available in any length; min 7", max 8'.

***Specify total quantity of Hubs.

● SEGMENT LENGTHS AND MOUNTING POINTS

Segment length X1			Mounting points X2	
Feet	Inches	mm	Inches	mm
2	22.250	565	24.000	610
3	35.125	892	36.875	937
4	46.250	1175	48.000	1219
5	57.375	1457	59.125	1502
6	70.250	1784	72.000	1829
7	81.375	2067	83.125	2111
8	94.250	2394	96.000	2438



X1 - Segment length
X2 - Mounting points



- i** Segment length from 2' to 8' continuous. Lengths above 8' will require Inline Hub. Available in 1' increments.

● HUB SERIES A

Patent-pending system combining mechanical, electrical and suspension functions. Non-illuminated lighting segment connectors:

L-Hub (90°), T-Hub (90°), X-Hub (90°), Y-Hub (120°), Hex-Hub (120°), Inline-Hub (180°), Octagon-Hub (135°) and **Y-Hub (90°/135°)**.

L-Hub	T-Hub	X-Hub	Y-Hub-120	Hex-Hub	Inline -Hub
<p>90°</p>	<p>90°</p>	<p>90°</p>	<p>120°</p>	<p>120°</p>	<p>180°</p>
Octagon-Hub	Y-Hub-135				
<p>135°</p>	<p>135°</p> <p>90°</p>				

● HUB SERIES B

Patent-pending system combining mechanical, electrical and suspension functions. Non-illuminated lighting segment connectors:

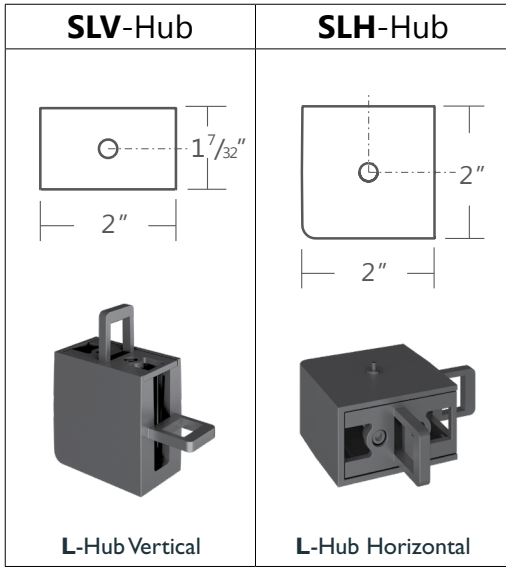
Positive-Y-Hub (120°/60°), Negative-Y-Hub (60°/120°), X-Hub (60°/120°), Hex-Hub (120°), and Triangle-Hub (60°).

Positive-Y-Hub	Negative-Y-Hub	X-Hub-120	Hex-Hub	Triangle-Hub
<p>60°</p> <p>120°</p>	<p>60°</p> <p>120°</p>	<p>60°</p> <p>120°</p>	<p>120°</p>	<p>60°</p>

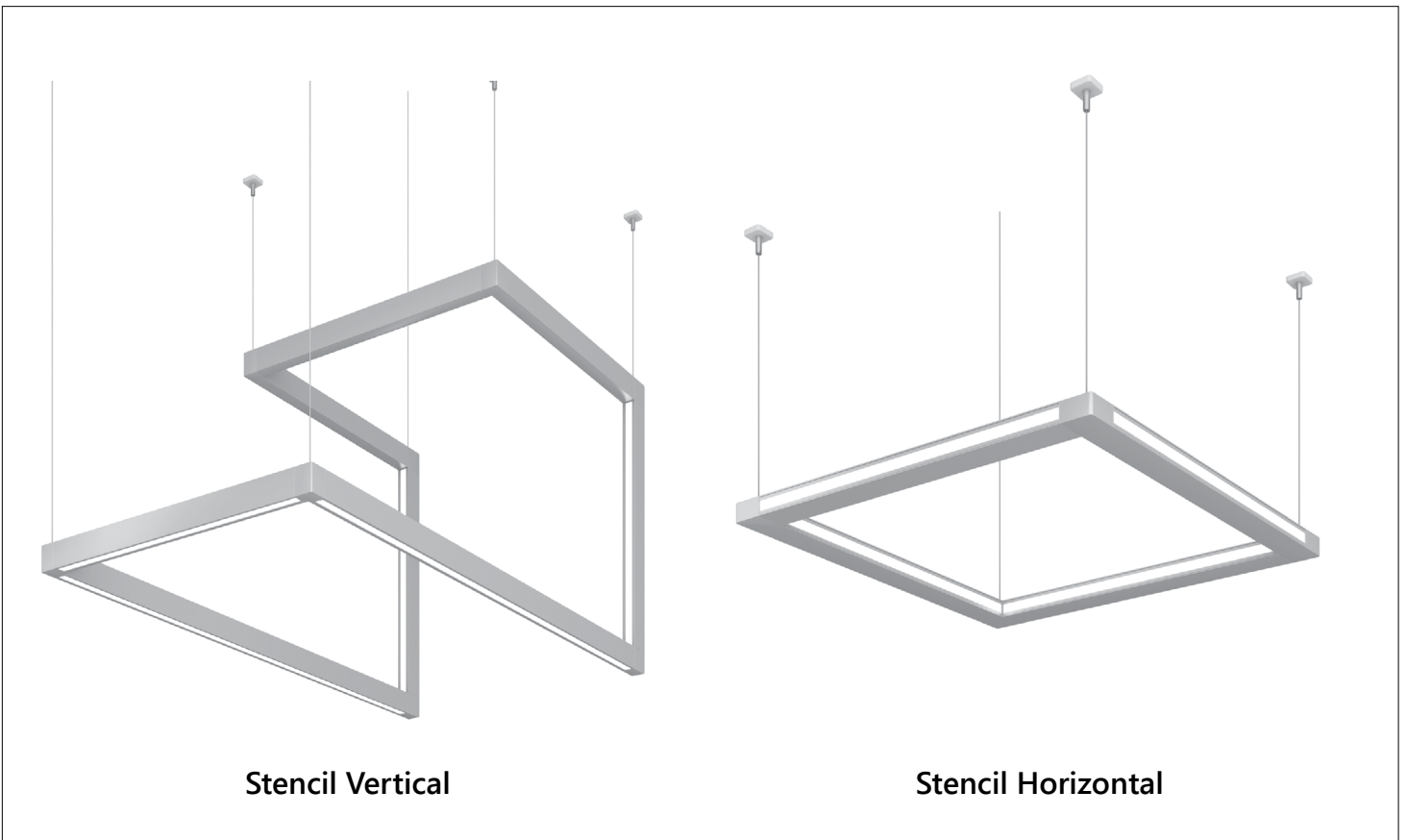
● **HUB SERIES S**

Patent-pending system combining mechanical, electrical and suspension functions. Non-illuminated lighting segment connectors:

L-Hub Vertical (90°) and L-Hub Horizontal (90°).



Stencil Spatial Images



Stencil Vertical

Stencil Horizontal

i For **Hubs series S** please provide top view as well as 3D view with light direction.

● LED SYSTEM

CRI	Minimum 80 or 90 color rendering index
CCT	Choice of 2700K, 3000K, 3500K and 4000K color temperature with a great color consistency (within 3.0-step MacAdam ellipse).
LED life	Minimum 50,000h with 85% of lumen maintenance in 25°C ambient temperature, in compliance with IES LM-80 testing measurements.
Thermal Management	Aluminum housing acting as the heat sink to maximize life.
Performance	Up to 101 lm/W.

● CONSTRUCTION

Housing	Extruded aluminum (0.070" nominal)
End Cap+Joiner	Die cast aluminum
Reflectors	Extruded acrylic
Lenses	Extruded acrylic
Suspension	1/32" Aircraft cable
Cable Grips	Quick Connecting / Release

● ELECTRICAL

Mini driver	STENCIL features integral mini driver technology. 0-10V 2% dimming standard. The integral mini driver is the only driver available.
Emergency	Remote emergency battery pack or emergency circuit optional.
Input Voltage	120V, 277V, UNV, 347V

i Incorporating these components may have limitations or effect the length of the luminaire, please contact factory for more details.


● WARRANTY

Axis Lighting will warrant defective LEDs, boards, and drivers for 5 years from date of purchase. Warranty is valid if luminaire is installed and used according to specifications. If defective, Axis will send replacement boards or drivers at no cost along with detailed replacement instructions and instructions on how to return defective components to Axis.

● FINISH

Powder coated and custom finishes are also available.

● APPROVALS

Certified to UL and CSA standards.  Suitable for damp locations.

● STENCIL SEGMENTS

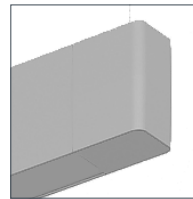
Stencil lit segments are available in lengths of 2' to 8' in one foot increments. Unlit blank segments are available in any length from 7" to 8'. Segments exceeding 8' in length are comprised of a combination of lengths to be assembled on site with an Inline Hub. Minimum blank segment length for one Accent is 3'. Minimum segment length for Accent and Indirect is 6'. For more information on systems and joining, please refer to the Stencil installation sheets available for download at www.axislighting.com.

● LIGHT GUIDE

High precision light guide made of PMMA material, allows distribution of controlled light in all 3-dimensions to put light on both vertical and horizontal planes within the space. Patented lightguide design featuring molecular optics and precision-coupled optic components yield a high efficiency luminaire. In-plane mixing maximizes color uniformity while light emitting area is uniform and diffuse without 'head lighting' from the LED's.

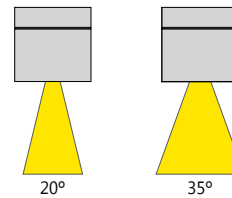
● END CAPS

Stencil Forms include Hub end caps.

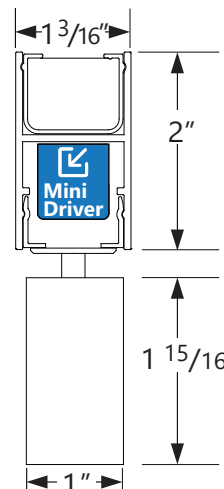


Hub End Cap

● ACCENT BEAM SPREADS



● STENCIL WITH ACCENT SECTION VIEW



ACCENT EFFICACY

3 Accents / Driver 120V, 21W, 0.18A;
277V, 21.5W, 0.10A.

1 Accent / Driver 120V, 8W, 0.12A;
277V, 8.4W, 0.06A.

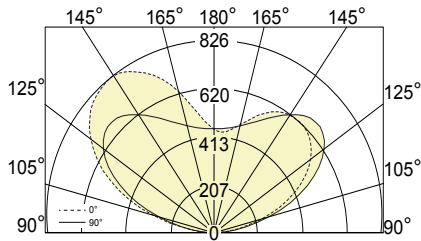
NOTE: Configuration of multiple accents with different drivers will change efficacy values.



● PHOTOMETRIC DATA - INDIRECT

700 lm/ft

PHOTOMETRIC CURVE



Indirect Output: 700 lm/ft
Total Lumens: 2691 lm (for 4ft)
Input Watts: 31 W
Efficacy: 87 lm/W

80 CRI shown. For 90 CRI, divide wattage by 0.8 and multiply efficacy by 0.8.
 IES FILE: STI-700-80-35-4.IES
 TESTED ACCORDING TO IES LM-79-2008

CANDELA DISTRIBUTION

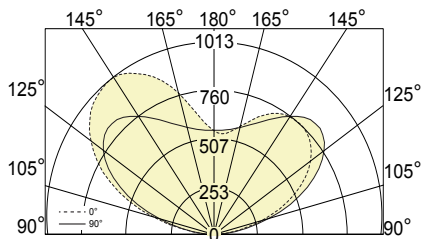
Vertical Angle	Horizontal Angles								
	0	22.5	45	67.5	90	112.5	135	157.5	180
90	0	0	0	0	0	0	0	0	0
95	25	26	32	42	54	65	53	41	34
105	226	211	194	215	267	265	255	278	285
115	418	391	360	394	481	472	470	520	534
125	551	520	481	518	628	639	648	695	699
135	615	585	548	572	672	732	762	795	794
145	618	595	562	554	619	719	789	823	820
155	568	548	516	498	534	627	704	748	757
165	482	469	454	451	475	529	578	620	626
175	434	433	434	438	449	465	476	483	483
180	446	446	446	446	446	446	446	446	446

ZONAL LUMENS

Zone	Lumens
90	
90-100	57
100-110	256
110-120	438
120-130	529
130-140	517
140-150	421
150-160	281
160-170	148
170-180	44
180	

800 lm/ft

PHOTOMETRIC CURVE



Indirect Output: 800 lm/ft
Total Lumens: 3308 lm (for 4ft)
Input Watts: 38.6 W
Efficacy: 86 lm/W

80 CRI shown. For 90 CRI, divide wattage by 0.8 and multiply efficacy by 0.8.
 IES FILE: STI-800-80-35-4.IES
 TESTED ACCORDING TO IES LM-79-2008

CANDELA DISTRIBUTION

Vertical Angle	Horizontal Angles								
	0	22.5	45	67.5	90	112.5	135	157.5	180
90	0	0	0	0	0	0	0	0	0
95	61	59	61	61	67	68	42	24	18
105	319	295	263	279	329	308	283	294	299
115	547	510	462	498	592	564	551	602	617
125	697	657	605	649	774	774	777	831	834
135	764	725	679	712	832	898	928	966	962
145	755	726	686	683	771	897	977	1012	1006
155	683	659	622	610	670	794	889	939	947
165	575	562	549	555	597	672	738	792	798
175	532	533	537	546	564	587	604	612	612
180	560	560	560	560	560	560	560	560	560

ZONAL LUMENS

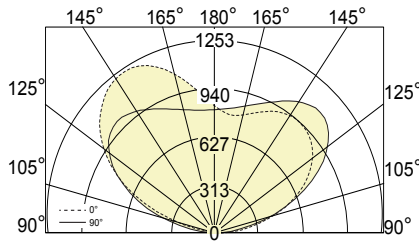
Zone	Lumens
90	
90-100	69
100-110	311
110-120	536
120-130	649
130-140	636
140-150	519
150-160	348
160-170	184
170-180	55
180	

i All IES files are available for download at: www.axislighting.com

● PHOTOMETRIC DATA - INDIRECT

1000 lm/ft

PHOTOMETRIC CURVE



Indirect Output: 1000 lm/ft
Total Lumens: 4086 lm (for 4ft)
Input Watts: 47.7 W
Efficacy: 86 lm/W

80 CRI shown. For 90 CRI, divide wattage by 0.8 and multiply efficacy by 0.8.
 IES FILE: STI-1000-80-35-4.IES
 TESTED ACCORDING TO IES LM-79-2008

CANDELA DISTRIBUTION

Vertical Angle	Horizontal Angles								
	0	22.5	45	67.5	90	112.5	135	157.5	180
90	0	0	0	0	0	0	0	0	0
95	86	9	13	34	30	45	27	17	14
105	361	244	240	272	320	305	304	339	359
115	616	515	504	563	659	625	627	696	731
125	795	733	719	788	920	896	906	973	1000
135	889	868	854	910	1049	1070	1097	1151	1165
145	911	926	909	933	1026	1111	1178	1226	1236
155	866	909	891	886	934	1030	1124	1182	1192
165	795	845	833	828	854	912	977	1022	1036
175	769	793	793	797	807	823	840	853	857
180	798	798	798	798	798	798	798	798	798

ZONAL LUMENS

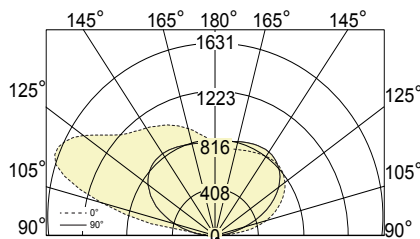
Zone	Lumens
90	
90-100	90
100-110	372
110-120	640
120-130	781
130-140	775
140-150	648
150-160	452
160-170	251
170-180	78
180	

i All IES files are available for download at: www.axislighting.com

● PHOTOMETRIC DATA - INDIRECT - ASYMMETRIC

1000 lm/ft

PHOTOMETRIC CURVE



Lumen/ft up: 1000 lm/ft
Total Lumens: 4300 lm (for 4ft)
Input Watts: 47.7 W
Efficacy: 90 lm/W

80 CRI shown. For 90 CRI, divide wattage by 0.8 and multiply efficacy by 0.8.
 IES FILE: STIA-1000-80-35-AS-4.IES
 TESTED ACCORDING TO IES LM-79-2008

CANDELA DISTRIBUTION

Vertical Angle	Horizontal Angles								
	0	22.5	45	67.5	90	112.5	135	157.5	180
90	0	0	0	0	0	0	0	0	0
95	125	18	24	41	30	63	33	23	20
105	479	351	331	299	263	356	605	1034	1088
115	673	597	563	534	523	604	801	1385	1631
125	789	752	719	707	717	792	925	1265	1484
135	837	833	801	801	828	896	996	1140	1217
145	823	844	826	832	868	935	1010	1087	1114
155	789	822	814	824	857	917	978	1025	1039
165	760	791	792	802	827	863	902	931	940
175	768	781	784	790	800	812	822	831	834
180	794	794	794	794	794	794	794	794	794

ZONAL LUMENS

Zone	Lumens
90	
90-100	159
100-110	575
110-120	777
120-130	788
130-140	706
140-150	573
150-160	408
160-170	237
170-180	77
180	

i All IES files are available for download at: www.axislighting.com