

Accent shown

Project \_\_\_\_\_

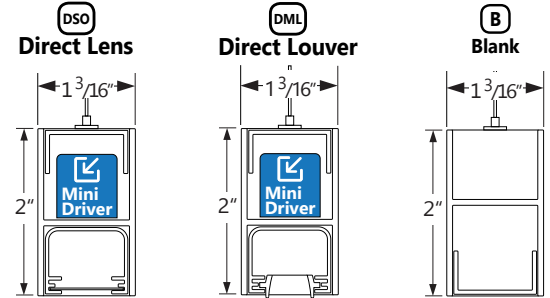
Type \_\_\_\_\_

Notes \_\_\_\_\_

**A configuration drawing is required**

Factory is available for assistance  
See page 2 for example of how to specify

### Ordering Guide



STFD		TOTAL LENGTH & NOM. LUMENS/FT - DIRECT				TOTAL LENGTH - BLANK (OPT.)	
PRODUCT ID							
STFD	Stencil Pendant - Direct Forms	<b>DSO(length-lumen)</b>	direct spotless lens	<b>200</b>	200 lm/ft	SO lens option only	+B(#) blank
		<b>+DML(length-lumen)</b>	direct micro louver*	<b>300</b>	300 lm/ft		
				<b>400</b>	400 lm/ft		
				<b>150</b>	150 lm/ft	micro louver option only	
				<b>225</b>	225 lm/ft		
				<b>300</b>	300 lm/ft		
				<b>450</b>	450 lm/ft		
				<b>600</b>	600 lm/ft		
		Lit segments are available in 1' increments. Segment length from 2' to 8' continuous. * Micro louver recommended at outputs over 500 lm/ft.				Available in any length; min 7", max 8'.	

CRI	COLOR TEMP.	HUB QUANTITY				HUB QUANTITY (OPT.)		FINISH	VOLTAGE				
		SERIES A		SERIES B		SERIES S							
80	80 CRI	27	2700 K	<b>AL(#)</b>	L Hub (90°)	<b>BT(#)</b>	Triangle Hub (60°)	<b>SLH(#)</b>	L Hub Horizontal (90°)	<b>AP</b>	aluminum paint	<b>120</b>	120 V
90	90 CRI	30	3000 K	<b>+AT(#)</b>	T Hub (90°)	<b>+BX(#)</b>	X Hub (120°)	<b>SLV(#)</b>	L Hub Vertical (90°)	<b>W</b>	white	<b>277</b>	277 V
		35	3500 K	<b>+AX(#)</b>	X Hub (90°)	<b>+BH(#)</b>	Hex Hub (120°)			<b>BLK</b>	black	<b>347</b>	347 V *
		40	4000 K	<b>+AY(#)</b>	Y Hub (120°)	<b>+BYN(#)</b>	Negative Y Hub (60°/120°)			<b>C</b>	custom	<b>UNV</b>	universal
				<b>+AYB(#)</b>	Y Hub (135°)	<b>+BYP(#)</b>	Positive Y Hub (120°/60°)						
				<b>+AH(#)</b>	Hex Hub (120°)								
				<b>+AG(#)</b>	Octagon Hub (135°)								
				<b>+AI(#)</b>	Inline Hub (180°)								
Applies to both Up and Down		Applies to both Up and Down		Consult factory for compatibility when mixing series A & B.				Compatible with both Hub series A & B See pages 4-5 for more details		* Consult factory			

DRIVER	CIRCUITS	MOUNTING/SUSPENSION	CANOPY	BATTERY - REMOTE (OPTIONAL)	CUSTOM (OPTIONAL)
<b>MD</b> integral mini driver 0-10V dimming (2%)	<b>1</b> 1 circuit <b>2</b> 2 circuits <b>+E(#)</b> emergency circuit *	<b>CA(#)</b> drywall+cable length (36" std.) <b>CT9(#)</b> TB/TG 9/16+cable length (36" std.) <b>CT15(#)</b> TB/TG15/16+cable length (36" std.) <b>CT5(#)</b> ST+cable length (36" std.)	<b>RC</b> round canopy <b>SC</b> square canopy	<b>B(#)</b> remote battery pack	<b>C</b> custom
Only integral 0-10V mini driver available	* Specify quantity	Specify length	White canopy standard	Remote only Not available with 347V Please consult factory	Please specify

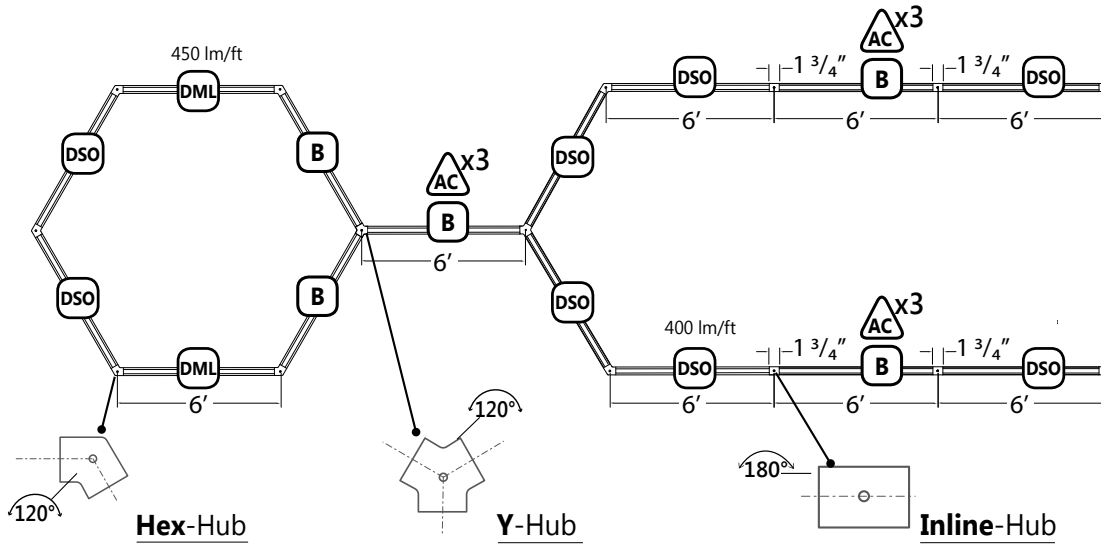
### Ordering Guide-Accent Only (Optional)

ACCENT QUANTITY	BEAM	ACCENT FINISH
<b>AC(#)</b> accent quantity	<b>D20</b> 20 deg <b>D35</b> 35 deg	<b>AP</b> aluminum paint <b>W</b> white <b>BLK</b> black
Only available in 500 lumens, 3000 K, 80 CRI with 0-10V dimming (5%). Minimum spacing between Accents is 6". Accent provided on blank section by default (min length 3"). See page 6 for more information.		

# How to Specify Total Linear Length, Distributions & Hubs

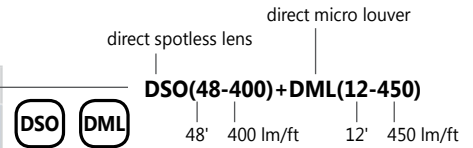
## Example

**DSO** Direct lens   **DML** Direct louver   **B** Blank   **AC** Accent



**1. Specify Total Length - Direct**

**DSO(48-400)+DML(12-450)**  
TOTAL LENGTH\* & NOM. LUMENS/FT - DIRECT

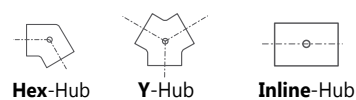


**2. Specify Total Length - Blank**

**B(60)**  
TOTAL LENGTH\*\* - BLANK

**3. Specify Hub Quantity**

**AH(7)+AY(2)+AI(4)**  
HUB QTY\*\*\*



**5. Specify Accent Quantity (if necessary)**

**AC(9)**  
ACCENT QTY

- AC** - Accent provided on blank section by default (min length 3').
- Also compatible with indirect segments (min length 6')
- See Stencil Pendant Forms Indirect (STFI) or Combined (STFC) spec sheets.

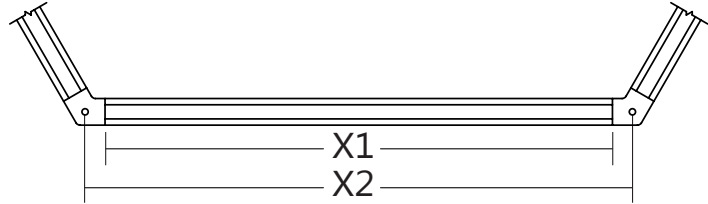
\*Segment length from 2' to 8' continuous in one foot increments. Specify total linear length of each distribution.

\*\*Blank segments: available in any length; min 7", max 8'.

\*\*\*Specify total quantity of Hubs.

### ● SEGMENT LENGTHS AND MOUNTING POINTS

Segment length X1			Mounting points X2	
Feet	Inches	mm	Inches	mm
2	22.250	565	24.000	610
3	35.125	892	36.875	937
4	46.250	1175	48.000	1219
5	57.375	1457	59.125	1502
6	70.250	1784	72.000	1829
7	81.375	2067	83.125	2111
8	94.250	2394	96.000	2438



**X1 - Segment length**  
**X2 - Mounting points**



**i** Segment length from 2' to 8' continuous.  
Lengths above 8' will require Inline Hub.  
Available in 1' increments.

### ● HUB SERIES A

Patent-pending system combining mechanical, electrical and suspension functions. Non-illuminated lighting segment connectors:

**L-Hub (90°), T-Hub (90°), X-Hub (90°), Y-Hub (120°), Hex-Hub (120°), Inline-Hub (180°), Octagon-Hub (135°)** and **Y-Hub (90°/135°)**.

L-Hub	T-Hub	X-Hub	Y-Hub-120	Hex-Hub	Inline -Hub
<p>90°</p>	<p>90°</p>	<p>90°</p>	<p>120°</p>	<p>120°</p>	<p>180°</p>
Octagon-Hub	Y-Hub-135				
<p>135°</p>	<p>135°</p>				

### ● HUB SERIES B

Patent-pending system combining mechanical, electrical and suspension functions. Non-illuminated lighting segment connectors:

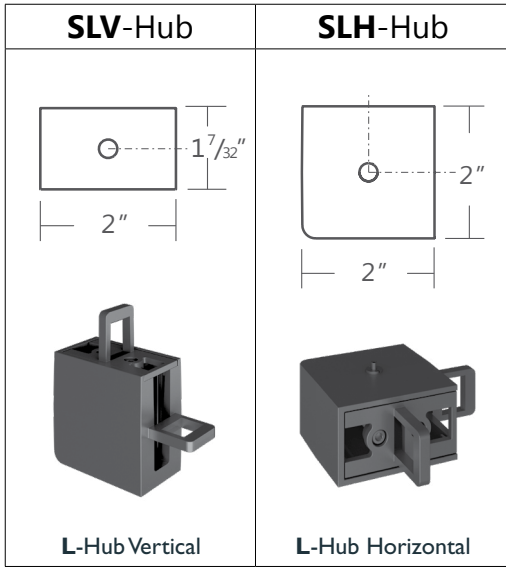
**Positive-Y-Hub (120°/60°), Negative-Y-Hub (60°/120°), X-Hub (60°/120°), Hex-Hub (120°), and Triangle-Hub (60°)**.

Positive-Y-Hub	Negative-Y-Hub	X-Hub-120	Hex-Hub	Triangle-Hub
<p>60°</p>	<p>60°</p>	<p>60°</p>	<p>120°</p>	<p>60°</p>

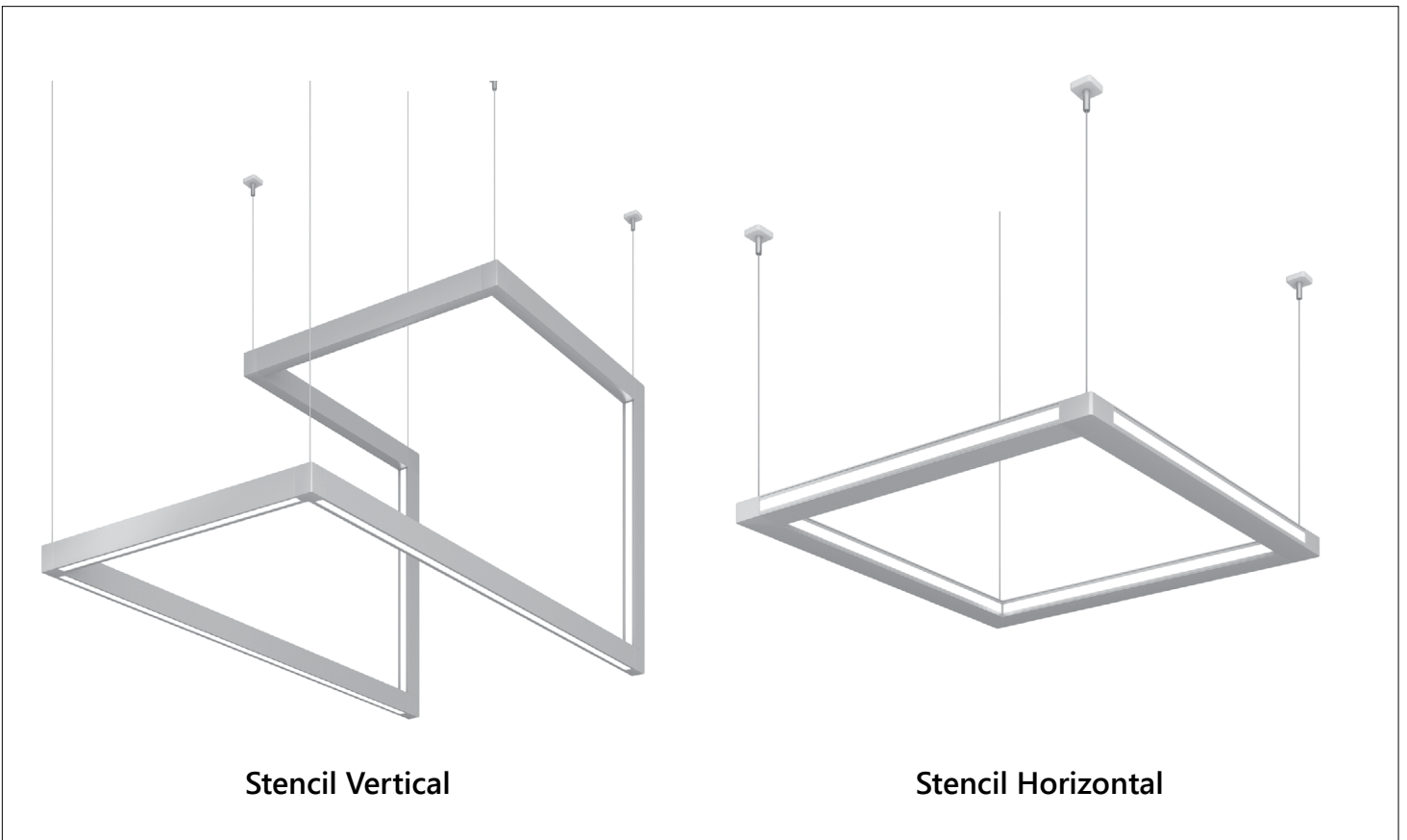
● **HUB SERIES S**

Patent-pending system combining mechanical, electrical and suspension functions. Non-illuminated lighting segment connectors:

L-Hub Vertical (90°) and L-Hub Horizontal (90°).



**Stencil Spatial Images**



**Stencil Vertical**

**Stencil Horizontal**

**i** For **Hub series S** please provide top view as well as 3D view with light direction.

### LED SYSTEM

<b>CRI</b>	Minimum 80 or 90 color rendering index
<b>CCT</b>	Choice of 2700K, 3000K, 3500K and 4000K color temperature with a great color consistency (within 3.0-step MacAdam ellipse).
<b>LED life</b>	Minimum 50,000h with 85% of lumen maintenance in 25°C ambient temperature, in compliance with IES LM-80 testing measurements.
<b>Thermal Management</b>	Aluminum housing acting as the heat sink to maximize life.
<b>Performance</b>	Up to 101 lm/W.

### CONSTRUCTION

<b>Housing</b>	Extruded aluminum (0.070" nominal)
<b>End Cap+ Joiner</b>	Die cast aluminum
<b>Reflectors</b>	Extruded acrylic
<b>Lenses</b>	Extruded acrylic
<b>Suspension</b>	1/32" Aircraft cable
<b>Cable Grips</b>	Quick Connecting / Release


### ELECTRICAL

<b>Mini driver</b>	STENCIL features integral mini driver technology. 0-10V 2% dimming standard. The integral mini driver is the only driver available.
<b>Emergency</b>	Remote emergency battery pack or emergency circuit optional.
<b>Input Voltage</b>	120V, 277V, UNV, 347V
<b>i</b>	Incorporating these components may have limitations or effect the length of the luminaire, please contact factory for more details.

### WARRANTY

Axis Lighting will warrant defective LEDs, boards, and drivers for 5 years from date of purchase. Warranty is valid if luminaire is installed and used according to specifications. If defective, Axis will send replacement boards or drivers at no cost along with detailed replacement instructions and instructions on how to return defective components to Axis.

### APPROVALS

Certified to UL and CSA standards   
Suitable for damp locations.

### STENCIL SEGMENTS

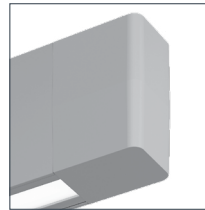
Stencil lit segments are available in lengths of 2' to 8' in one foot increments. Unlit blank segments are available in any length from 7" to 8'. Segments exceeding 8' in length are comprised of a combination of lengths to be assembled on site with an Inline Hub. Minimum blank segment length for one Accent is 3'. For more information on systems and joining, please refer to the Stencil installation sheets available for download at [www.axislighting.com](http://www.axislighting.com).

### LIGHT GUIDE

High precision light guide made of PMMA material, allows distribution of controlled light in all 3-dimensions to put light on both vertical and horizontal planes within the space. Patented lightguide design featuring molecular optics and precision-coupled optic components yield a high efficiency luminaire. In-plane mixing maximizes color uniformity while light emitting area is uniform and diffuse without 'head lighting' from the LED's.

### END CAPS

Stencil Forms include Hub end caps.

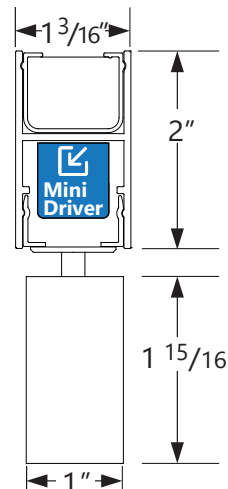


Hub End Cap

### FINISH

Powder coated and custom finishes are also available.

### STENCIL WITH ACCENT SECTION VIEW



#### ACCENT EFFICACY

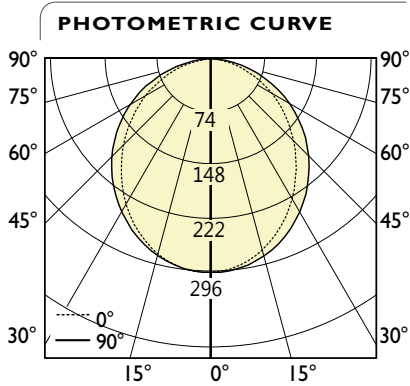
<b>3 Accents / Driver</b>	120V, 21W, 0.18A; 277V, 21.5W, 0.10A.
<b>1 Accent / Driver</b>	120V, 8W, 0.12A; 277V, 8.4W, 0.06A.

**NOTE:** Configuration of multiple accents with different drivers will change efficacy values.



### ● PHOTOMETRIC DATA - DIRECT

200 lm/ft



**Direct Output: 200 lm/ft**  
**Total Lumens: 781 lm (for 4ft)**  
**Input Watts: 8.5 W**  
**Efficacy: 92 lm/W**

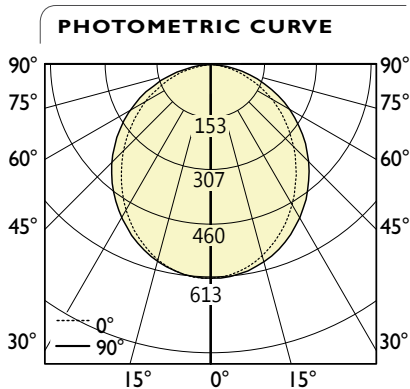
80 CRI shown. For 90 CRI, divide wattage by 0.8 and multiply efficacy by 0.8.  
 IES FILE: STD-200-80-35-4.IES  
 TESTED ACCORDING TO IES LM-79-2008

CANDELA DISTRIBUTION					
Vertical Angle	Horizontal Angles				
	0	22.5	45	67.5	90
0	296	296	296	296	296
5	292	292	293	294	294
15	273	274	277	281	282
25	242	244	250	256	259
35	203	206	215	224	228
45	161	165	176	186	190
55	118	122	133	143	148
65	75	79	89	98	102
75	35	38	45	52	55
85	5	6	8	11	12
90	0	0	0	0	0

ZONAL LUMENS	
Zone	Lumens
0	
0-10	28
10-20	79
20-30	117
30-40	138
40-50	139
50-60	123
60-70	92
70-80	52
80-90	13
90	

LUMINANCE DATA (cd/m <sup>2</sup> )			
Vertical Angle	Horizontal Angles		
	0	45	90
45	20504	22389	24210
55	18510	20928	23220
65	16045	18879	21798
75	12317	15483	18962
85	5579	8576	12605

400 lm/ft



**Direct Output: 400 lm/ft**  
**Total Lumens: 1623 lm (for 4ft)**  
**Input Watts: 16.1 W**  
**Efficacy: 101 lm/W**

80 CRI shown. For 90 CRI, divide wattage by 0.8 and multiply efficacy by 0.8.  
 IES FILE: STD-400-80-35-4.IES  
 TESTED ACCORDING TO IES LM-79-2008

CANDELA DISTRIBUTION					
Vertical Angle	Horizontal Angles				
	0	22.5	45	67.5	90
0	613	613	613	613	613
5	605	606	607	609	610
15	566	569	575	581	585
25	502	506	519	531	537
35	421	428	447	465	473
45	333	342	365	386	395
55	244	253	277	298	308
65	156	163	184	205	213
75	73	79	93	107	114
85	11	13	17	23	26
90	0	0	0	1	0

ZONAL LUMENS	
Zone	Lumens
0	
0-10	58
10-20	164
20-30	243
30-40	286
40-50	289
50-60	256
60-70	192
70-80	108
80-90	28
90	

LUMINANCE DATA (cd/m <sup>2</sup> )			
Vertical Angle	Horizontal Angles		
	0	45	90
45	42459	46496	50330
55	38355	43489	48309
65	33241	39292	45280
75	25434	32219	39630
85	11262	17772	26347

**i** All IES files are available for download at: [www.axislighting.com](http://www.axislighting.com)