



PENDANT MOUNT

PROJECT INFORMATION

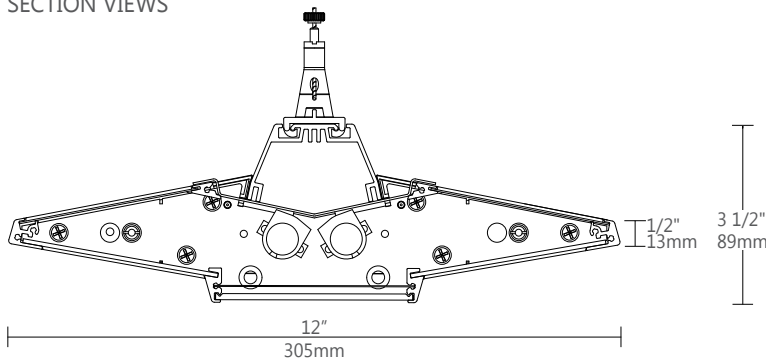
Project:

Type:

Notes:

DIMENSIONS

SECTION VIEWS



ORDERING CODE

1	2	3	4	5	6	7	8	9	10	11	12	13	14	15
---	---	---	---	---	---	---	---	---	----	----	----	----	----	----

PRODUCT SPECIFICATIONS

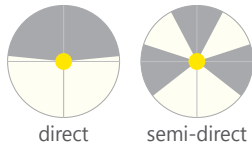
1	PRODUCT ID	2	OPTICS	3	LIGHT DISTRIBUTION	4	LENGTH/FT	5	LAMP	6	LAMP CONFIGURATION	7	FINISH
SOL	pendant	VL	vl optic	30/70	30% up 70% dn	4	4'	T5	T5	1	1 lamp	AP	aluminum paint
				20/80	20% up 80% dn	8	8'	T5HO	T5HO	2	2 lamps	W	white
				0/100	0% up 100% dn	12	12'	T8	T8	3	3 lamps ⁽¹⁾	BLK	black
						S#	System Run					C	custom
										Approximate light distribution		(1) Not available for T8	

8	VOLTAGE	9	BALLAST	10	CIRCUITS	11	MOUNTING/SUSPENSION	12	BATTERY
120	120V	D	dimming	1	1 regular	CA#	drywall+cable length (36" std.)	B#	battery pack 4' sections
277	277V	E	instant start ⁽³⁾	2	2 regular	CT9-#	TB/TG 9/16+cable length (36" std.)		
347	347V ⁽²⁾	ERS	program start	+E(#)	emergency section ⁽⁴⁾	CT15-#	TB/TG15/16+cable length (36" std.)		
UNV	universal	BI	bi-level dimming	+NL(#)	night light section ⁽⁴⁾	CTS#	ST+cable length (36" std.)		
				+GTD(#)	generator transfer device ⁽⁴⁾	SA#	drywall+stem length >48" (18" std.)		
(2) Consult factory		(3) Available with T8 lamp only		(4) Specify quantity					

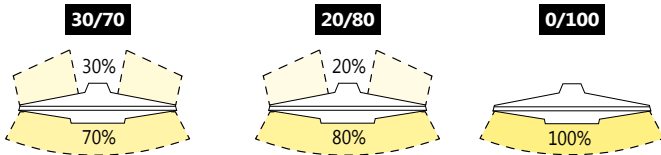
13	OTHER	14	IC CONTROLS	15	CUSTOM
F	fuse	DS#	daylight sensor	C	custom
		OS#	occupancy sensor		
		DS+OS#	daylight+occupancy sensor		
		DOS#	daylight&occupancy sensor		
Requires 120V or 277V Please consult factory		See integrated controls guide for further details		Please specify	



● LIGHT DISTRIBUTION



● LIGHT DISTRIBUTION OPTIONS



● CONSTRUCTION

End Cap	Die cast zinc (0.100" nominal)
Housing	Extruded aluminum (0.075" nominal)
Louvers	Die formed semi-specular aluminum (22 ga)
Perforation / Slotted / Blank	Cold rolled metal sheet (20 ga) with powder painted, custom color available
Baffles	Die formed aluminum (22 ga) powder painted white
VL^{opti}	Acrylic 92% transmissive lens
Frosted lens	Acrylic 85% transmissive lens
Interior Brackets	Die formed sheet steel (12 ga)
Hanger	Aircraft cable Ø 1/16"
Suspension	Aircraft cable or Ø 5/8" stem
Cable Grips	Quick Connecting/release

● ELECTRICAL

Ballast	Electronic IS, Electronic Rapid Start, Dimming (0-10V, Line, EcoSystem, DALI), BI-level dimming With preinstalled ballast disconnect as per NEC & CEC
Emergency	Emergency battery pack or emergency circuit
Voltage	120V, 277V, 347V, UNV

i Incorporating these components may have limitations or effect the length of the luminaire, please contact factory for more details.

● SYSTEMS (S#)

Runs of SOLEIL that are greater than 12ft in length are designated as systems (S#). This means that the run is comprised of a combination 8ft and/or 12ft sections to be assembled on site using our joining system. For more information on systems and joining, please refer to the SOLEIL installation sheets available for download at www.axislighting.com

● WEIGHT

4 ft	18.2 lbs / 8.3 kg
8 ft	36.4 lbs / 16.6 kg
12 ft	54.6 lbs / 24.9 kg

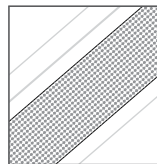
● FINISH

Aluminium paint, Powder Coated and custom finishes are also available.

● APPROVALS

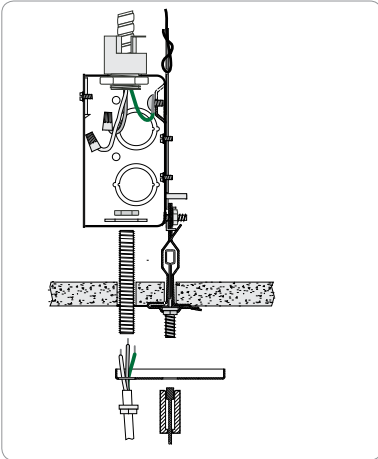
Certified to UL and CUL standards Suitable for damp locations.

● OPTICS

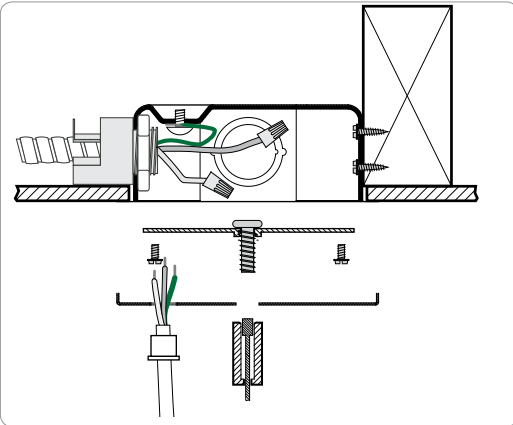


VL vl optic

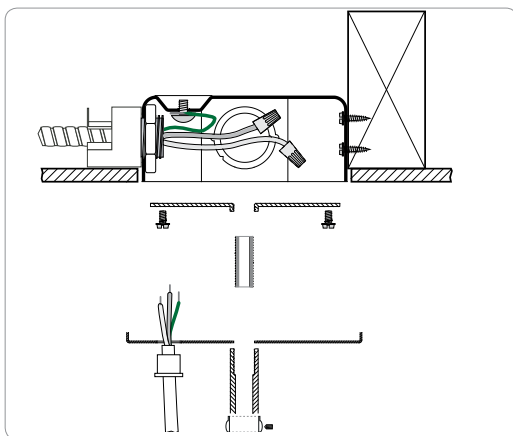
● MOUNTING OPTIONS



CT TILE CEILING - ON GRID



CA DRYWALL CEILING



SA STEM MOUNT IN DRYWALL CEILING

Mounting options are also available for slope ceiling and seismic bracing.

i Installation sheets for all mounting options are available at: www.axislighting.com

● OTHER MOUNTING OPTIONS

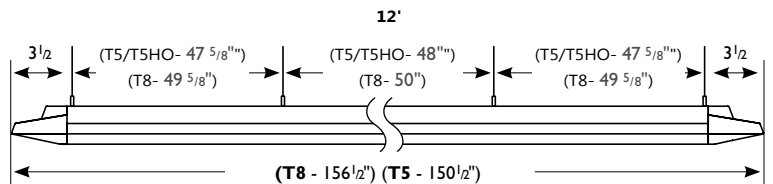
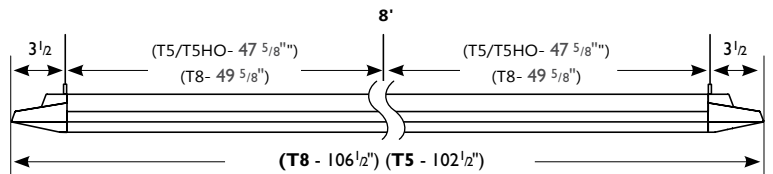
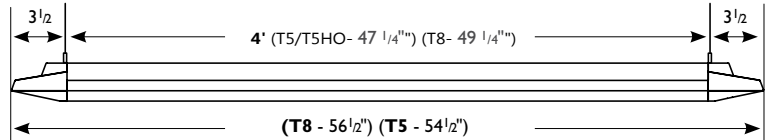
SOLEIL is also available with surface and wall mounted options.

i Specification sheets for surface and wall mounted SOLEIL luminaires are available for download at www.axislighting.com

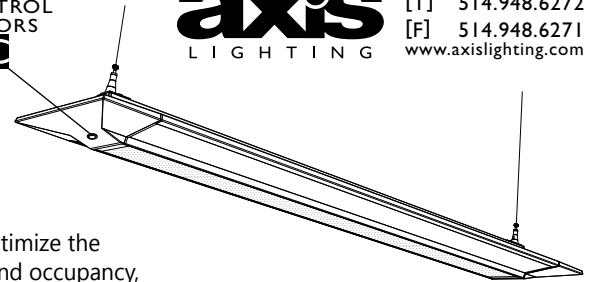
● SUSPENSION / MOUNTING SPACING

Mounting points, for individual luminaires only.

Mounting points for system runs are available for download at: www.axislighting.com



i Row calculation must be done using the Row Configuration Guide available at: www.axislighting.com



● INTEGRATED CONTROL OPTIONS

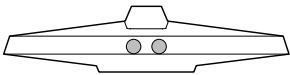
SOLEIL luminaires allow the use of integrated controls such as daylight sensors (DS), occupancy sensors (OS), individual daylight sensors and occupancy sensors (DS+OS), and combination daylight/occupancy sensors (DOS). These options can be seamlessly integrated into our luminaires. The control system could be used to optimize the lighting of the space by reducing energy consumption through daylight harvesting and occupancy, thereby improving the overall interior environment and allowing for LEED credits.

- Consult factory for other options.
- Refer to IC brochure for more information.

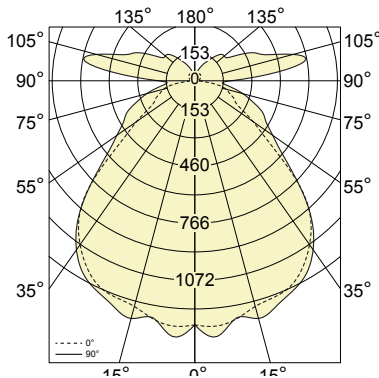
SENSORS	BRAND	Model	TYPE	CODE	COMPATIBLE DIMMING BALLAST
Daylight Sensor (DS)	Lutron	EC-DIR-WH	Daylight	LD	EcoSystem
	Wattstopper	FD-301	Daylight	WD	0-10V
	Philips	Luxsense	Daylight	PL	0-10V
Occupancy Sensor (OS)	Wattstopper	FS-205	PIR Occupancy	WP1	Programmed Rapid Start
		FS-355	PIR Occupancy	WP2	Programmed Rapid Start
		FM-105	High Frequency Occupancy	WH	Programmed Rapid Start
Daylight & Occupancy Sensors (DOS)	Philips	Actilume	Daylight & PIR Occupancy	PA	DALI or 0-10V

● PHOTOMETRIC DATA

2 T5



PHOTOMETRIC CURVE



Test Lamp: 2x F28T5
 IES FILE: SOL-VL-30-70-4-T5-2

Efficiency: 78.1%

CANDELA DISTRIBUTION

Vertical Angle	Horizontal Angles					Zonal Lumens
	0	22.5	45	67.5	90	
0	1311	1311	1311	1311	1311	
5	1323	1302	1295	1359	1379	71
15	1255	1292	1254	1295	1322	307
25	1217	1217	1230	1253	1245	524
35	1075	1093	1102	1107	1108	668
45	795	784	783	792	795	649
55	381	384	447	482	511	441
65	235	272	321	368	402	329
75	174	181	234	251	268	259
85	49	53	100	144	151	139
90	15	53	124	172	195	
95	22	166	315	379	395	209
105	27	119	283	476	547	340
115	34	100	201	306	355	219
125	38	85	164	203	217	143
135	43	72	134	177	200	106
145	45	57	98	133	139	69
155	32	41	62	83	91	36
165	37	32	34	43	49	15
175	25	27	28	28	26	4
180	30	30	30	30	30	

COEFFICIENTS OF UTILIZATION (%)

Ceiling	80				70				50			
	70	50	30	10	70	50	30	10	50	30	10	
Wall	70	50	30	10	70	50	30	10	50	30	10	
0	89	89	89	89	84	84	84	84	76	76	76	
1	81	77	74	71	77	74	71	68	67	64	62	
2	74	68	63	59	70	65	60	56	59	55	52	
3	68	60	54	49	64	57	52	48	52	48	44	
4	62	53	47	42	59	51	45	41	47	42	38	
5	57	48	41	36	54	46	40	35	42	37	33	
6	53	43	37	32	50	41	35	31	38	33	29	
7	49	39	33	28	47	38	32	28	35	30	26	
8	46	36	30	25	43	34	29	25	32	27	23	
9	43	33	27	23	41	32	26	22	29	24	21	
10	40	30	24	21	38	29	24	20	27	22	19	

Based on floor reflectance of 20

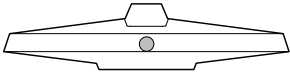
LUMINANCE DATA (CD/M²)

Vertical Angle	Horizontal Angles		
	0	45	90
45	2510	2094	2060
55	1446	1356	1486
65	1158	1166	1379
75	1283	1097	1164
85	768	695	933

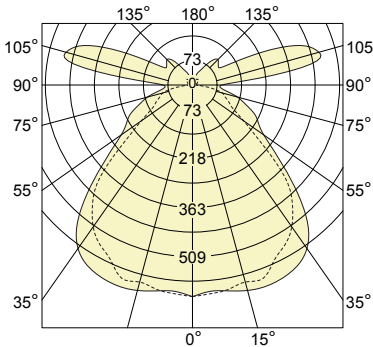
i All IES files for other lamping are available for download at: www.axislighting.com

● PHOTOMETRIC DATA

1 T5



PHOTOMETRIC CURVE



Test Lamp: 1xF28T5
 IES FILE: SOL-VL-30-70-4-T5-1

Efficiency: 80.8%

CANDELA DISTRIBUTION

Vertical Angle	Horizontal Angles					Zonal Lumens
	0	22.5	45	67.5	90	
0	627	627	627	627	627	
5	621	640	623	637	614	34
15	604	602	619	619	630	146
25	573	577	600	626	631	255
35	513	528	570	582	592	336
45	388	394	411	423	429	336
55	185	197	226	253	258	225
65	119	137	164	183	203	165
75	91	93	119	130	138	133
85	26	29	54	74	83	73
90	7	23	50	79	88	
95	11	93	158	168	167	97
105	12	57	219	353	385	223
115	17	50	86	179	236	139
125	20	40	83	92	94	65
135	24	34	66	100	107	55
145	21	25	45	65	77	36
155	17	22	30	40	43	17
165	18	16	18	21	22	7
175	16	12	15	14	15	2
180	10	10	10	10	10	

COEFFICIENTS OF UTILIZATION (%)

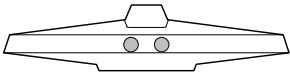
Ceiling	80				70				50			
Wall	70	50	30	10	70	50	30	10	70	50	30	10
0	91	91	91	91	87	87	87	87	78	78	78	78
1	83	79	76	73	79	76	73	70	68	66	64	64
2	76	70	64	60	72	66	62	58	60	56	53	53
3	69	61	55	50	66	59	53	49	53	49	45	45
4	64	55	48	43	60	52	46	42	47	43	39	39
5	59	49	42	37	56	47	41	36	43	38	34	34
6	54	44	37	32	51	42	36	32	39	33	30	30
7	50	40	33	29	48	38	32	28	35	30	26	26
8	47	36	30	26	44	35	29	25	32	27	23	23
9	44	33	27	23	41	32	26	22	30	25	21	21
10	41	31	25	21	39	30	24	20	27	22	19	19

Based on floor reflectance of 20

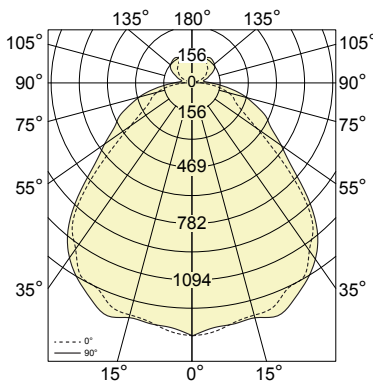
LUMINANCE DATA (CD/M²)

Vertical Angle	Horizontal Angles		
	0	45	90
45	1226	1100	1113
55	702	686	750
65	586	593	696
75	675	560	601
85	398	375	514

2 T5



PHOTOMETRIC CURVE



Test Lamp: 2xF28T5
 IES FILE: SOL-VL-20-80-4-T5-2

Efficiency: 74.8%

CANDELA DISTRIBUTION

Vertical Angle	Horizontal Angles					Zonal Lumens
	0	22.5	45	67.5	90	
0	1407	1407	1407	1407	1407	
5	1389	1397	1387	1356	1367	74
15	1337	1352	1326	1353	1353	321
25	1259	1285	1295	1321	1330	552
35	1131	1163	1182	1186	1190	711
45	842	868	862	864	901	709
55	418	448	520	568	594	503
65	262	310	371	420	448	378
75	191	208	259	274	298	292
85	51	58	100	126	137	144
90	7	20	48	77	80	
95	13	18	35	53	61	45
105	43	47	59	77	85	57
115	76	82	101	113	119	89
125	96	108	128	145	151	110
135	117	126	144	156	162	112
145	133	139	148	157	165	98
155	129	141	147	157	155	74
165	137	143	140	147	152	48
175	150	144	142	146	143	21
180	139	139	139	139	139	

COEFFICIENTS OF UTILIZATION (%)

Ceiling	80				70				50			
Wall	70	50	30	10	70	50	30	10	70	50	30	10
0	87	87	87	87	83	83	83	83	77	77	77	77
1	79	76	72	68	76	73	70	66	68	65	62	62
2	72	66	61	55	69	64	59	54	59	56	51	51
3	66	58	53	46	63	56	51	45	53	48	43	43
4	61	52	46	39	58	50	45	38	47	42	37	37
5	56	47	40	34	54	45	39	33	42	37	32	32
6	52	42	36	29	50	41	35	29	38	33	28	28
7	48	38	32	26	46	37	31	25	35	30	25	25
8	45	35	29	23	43	34	28	23	32	27	22	22
9	42	32	26	21	40	31	26	20	30	25	20	20
10	39	30	24	19	38	29	23	18	27	23	18	18

Based on floor reflectance of 20

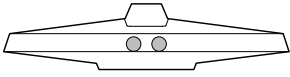
LUMINANCE DATA (CD/M²)

Vertical Angle	Horizontal Angles		
	0	45	90
45	2656	2306	2334
55	1584	1576	1728
65	1294	1346	1538
75	1411	1214	1297
85	803	693	846

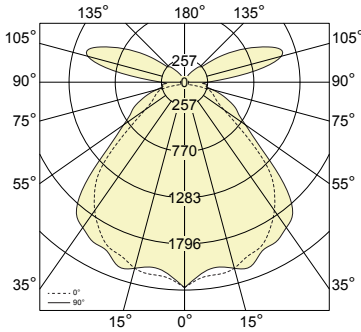
i All IES files for other lamping are available for download at: www.axislighting.com

● PHOTOMETRIC DATA

2 T5HO



PHOTOMETRIC CURVE



Test Lamp: 2xF54T5HO
 IES FILE: SOL-VL-30-70-4-T5HO-2

Efficiency: 79.3%

CANDELA DISTRIBUTION

Vertical Angle	Horizontal Angles					Zonal Lumens
	0	22.5	45	67.5	90	
0	2310	2310	2310	2310	2310	
5	2206	2263	2259	2225	2162	120
15	2166	2144	2125	2167	2163	509
25	2041	1991	2056	2105	2089	875
35	1776	1821	1890	1970	2003	1142
45	1338	1377	1480	1567	1597	1191
55	617	680	781	856	885	783
65	391	466	533	586	642	544
75	309	319	383	400	422	427
85	82	95	165	224	246	226
90	23	57	146	230	253	
95	55	249	272	244	245	202
105	43	283	764	1041	1104	640
115	49	157	523	866	1007	580
125	57	130	271	515	630	337
135	64	105	210	275	295	175
145	58	84	144	194	212	102
155	52	61	90	121	134	52
165	47	52	53	67	63	21
175	36	39	39	40	46	6
180	46	46	46	46	46	

COEFFICIENTS OF UTILIZATION (%)

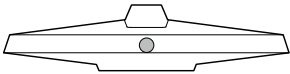
Ceiling	80				70				50			
	70	50	30	10	70	50	30	10	50	30	10	
Wall	70	50	30	10	70	50	30	10	50	30	10	
0	89	89	89	89	85	85	85	85	77	77	77	
1	82	78	75	72	77	74	71	69	67	65	63	
2	75	68	63	59	71	65	61	57	59	56	53	
3	68	60	55	50	65	58	52	48	53	48	45	
4	63	54	47	42	59	51	46	41	47	42	38	
5	58	48	42	37	55	46	40	36	42	37	33	
6	53	44	37	32	51	42	36	31	38	33	29	
7	49	39	33	28	47	38	32	28	35	30	26	
8	46	36	30	25	44	35	29	25	32	27	23	
9	43	33	27	23	41	32	26	22	29	24	21	
10	40	30	24	21	38	29	24	20	27	22	19	

Based on floor reflectance of 20

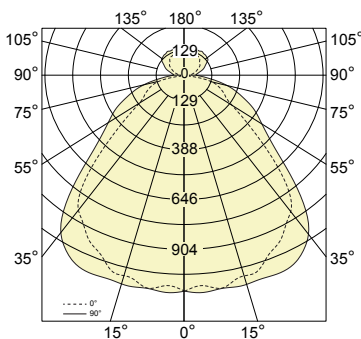
LUMINANCE DATA (CD/M²)

Vertical Angle	Horizontal Angles		
	0	45	90
45	4224	3961	4138
55	2341	2368	2573
65	1927	1934	2205
75	2279	1797	1837
85	1283	1143	1522

1 T5HO



PHOTOMETRIC CURVE



Test Lamp: 1xF54T5HO
 IES FILE: SOL-VL-20-80-4-T5HO-1

Efficiency: 77.0%

CANDELA DISTRIBUTION

Vertical Angle	Horizontal Angles					Zonal Lumens
	0	22.5	45	67.5	90	
0	1135	1135	1135	1135	1135	
5	1109	1131	1119	1103	1146	61
15	1100	1106	1098	1146	1147	266
25	1043	1054	1116	1155	1152	464
35	939	975	1059	1089	1104	621
45	712	757	796	825	840	641
55	361	399	456	521	528	449
65	233	274	329	371	396	334
75	172	185	227	250	261	257
85	47	51	90	119	122	130
90	7	19	46	70	79	
95	13	17	33	52	59	44
105	42	47	57	75	81	56
115	71	76	94	111	117	87
125	98	108	121	138	149	107
135	111	119	136	149	155	106
145	125	132	141	153	158	93
155	131	134	134	144	153	71
165	138	138	136	146	142	46
175	155	146	130	147	140	20
180	139	139	139	139	139	

COEFFICIENTS OF UTILIZATION (%)

Ceiling	80				70				50			
	70	50	30	10	70	50	30	10	50	30	10	
Wall	70	50	30	10	70	50	30	10	50	30	10	
0	89	89	89	89	86	86	86	86	79	79	79	
1	81	78	74	71	78	75	72	69	69	67	65	
2	74	68	63	59	71	65	61	57	61	57	54	
3	68	60	54	49	65	58	52	48	54	49	45	
4	62	53	47	42	59	51	45	41	48	43	39	
5	57	48	41	36	55	46	40	35	43	38	34	
6	53	43	36	32	51	42	35	31	39	34	30	
7	49	39	32	28	47	38	32	27	35	30	26	
8	46	36	29	25	44	34	29	24	32	27	24	
9	43	33	26	22	41	32	26	22	30	25	21	
10	40	30	24	20	38	29	24	20	28	23	19	

Based on floor reflectance of 20

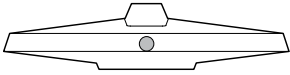
LUMINANCE DATA (CD/M²)

Vertical Angle	Horizontal Angles		
	0	45	90
45	2247	2129	2177
55	1369	1383	1535
65	1147	1194	1360
75	1268	1063	1137
85	736	623	759

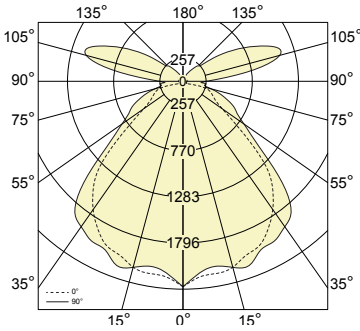
i All IES files for other lamping are available for download at: www.axislighting.com

● PHOTOMETRIC DATA

1 T5HO



PHOTOMETRIC CURVE



Test Lamp: 1x F54T5HO
 IES FILE: SOL-VL-30-70-4-T5HO-1

Efficiency: 80.8%

CANDELA DISTRIBUTION

Vertical Angle	Horizontal Angles					Zonal Lumens
	0	22.5	45	67.5	90	
0	1074	1074	1074	1074	1074	
5	1064	1058	1071	1099	1041	57
15	1054	1052	1048	1072	1081	251
25	1002	991	1035	1077	1065	438
35	879	907	966	1002	1011	579
45	667	678	705	725	736	580
55	322	337	391	433	443	387
65	199	245	286	314	347	287
75	158	165	207	223	236	229
85	42	48	93	134	143	126
90	12	39	87	137	151	
95	21	159	270	287	294	166
105	22	99	370	603	666	385
115	27	84	149	312	402	240
125	35	71	145	161	156	113
135	39	60	118	171	181	95
145	36	46	81	110	130	61
155	32	38	51	69	74	30
165	26	30	31	38	39	12
175	20	20	22	22	27	4
180	24	24	24	24	24	

COEFFICIENTS OF UTILIZATION (%)

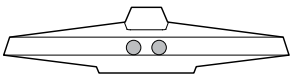
Ceiling	80			70			50				
	70	50	30	10	70	50	30	10	50	30	10
Wall											
0	91	91	91	91	86	86	86	86	78	78	78
1	83	79	76	73	79	75	72	70	68	66	64
2	76	69	64	60	72	66	61	58	60	56	53
3	69	61	55	50	66	58	53	48	53	49	45
4	64	55	48	43	60	52	46	41	47	42	39
5	59	49	42	37	55	47	41	36	43	37	34
6	54	44	37	32	51	42	36	31	39	33	29
7	50	40	33	29	48	38	32	28	35	30	26
8	47	36	30	25	44	35	29	25	32	27	23
9	44	33	27	23	41	32	26	22	30	25	21
10	41	31	25	21	39	30	24	20	27	22	19

Based on floor reflectance of 20

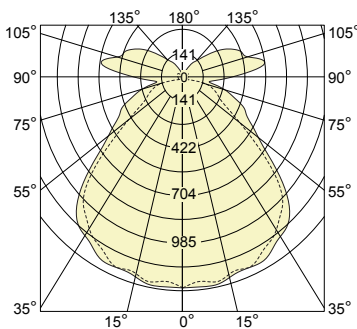
LUMINANCE DATA (CD/M²)

Vertical Angle	Horizontal Angles		
	0	45	90
45	2105	1887	1906
55	1221	1186	1289
65	980	1038	1191
75	1165	972	1029
85	651	645	887

2 T8



PHOTOMETRIC CURVE



Test Lamp: 2x F32T8
 IES FILE: SOL-VL-30-70-4-T8-2

Efficiency: 77.0%

CANDELA DISTRIBUTION

Vertical Angle	Horizontal Angles					Zonal Lumens
	0	22.5	45	67.5	90	
0	1245	1245	1245	1245	1245	
5	1210	1259	1229	1267	1244	67
15	1184	1205	1195	1220	1202	287
25	1129	1144	1167	1174	1178	490
35	1007	1031	1042	1069	1079	631
45	747	771	780	818	817	642
55	364	394	448	499	519	443
65	233	277	330	370	402	334
75	173	192	243	262	271	265
85	52	60	110	147	158	146
90	16	65	145	208	230	
95	23	149	276	337	352	204
105	29	137	281	417	474	304
115	33	102	254	355	386	241
125	41	84	171	279	316	178
135	45	72	127	176	210	112
145	41	56	98	127	133	67
155	36	41	62	88	87	36
165	30	31	39	45	48	15
175	33	29	29	30	28	5
180	26	26	26	26	26	

COEFFICIENTS OF UTILIZATION (%)

Ceiling	80			70			50				
	70	50	30	10	70	50	30	10	50	30	10
Wall											
0	87	87	87	87	83	83	83	83	75	75	75
1	79	76	73	70	75	72	69	67	65	63	61
2	72	66	61	57	69	63	59	55	57	54	51
3	66	59	53	48	63	56	51	46	51	47	43
4	61	52	46	41	58	50	44	40	45	41	37
5	56	47	40	35	53	45	39	34	41	36	32
6	52	42	36	31	49	40	34	30	37	32	28
7	48	38	32	27	45	37	31	27	34	29	25
8	45	35	29	24	42	33	28	24	31	26	22
9	42	32	26	22	40	31	25	21	28	24	20
10	39	29	24	20	37	28	23	19	26	22	18

Based on floor reflectance of 20

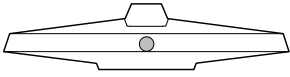
LUMINANCE DATA (CD/M²)

Vertical Angle	Horizontal Angles		
	0	45	90
45	2275	2004	2031
55	1333	1304	1446
65	1109	1149	1319
75	1237	1089	1123
85	788	724	924

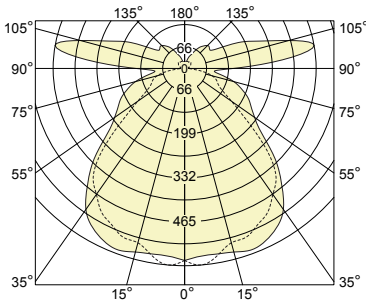
i All IES files for other lamping are available for download at: www.axislighting.com

● PHOTOMETRIC DATA

I T8



PHOTOMETRIC CURVE



Test Lamp: 1xF32T8
 IES FILE: SOL-VL-30-70-4-T8-1

Efficiency: 78.4%

CANDELA DISTRIBUTION

Vertical Angle	Horizontal Angles					Zonal Lumens
	0	22.5	45	67.5	90	
0	581	581	581	581	581	
5	597	570	572	561	570	31
15	547	554	568	567	576	134
25	522	539	553	574	577	233
35	466	496	508	518	521	305
45	354	361	365	381	388	301
55	174	189	217	247	259	214
65	112	135	166	194	212	168
75	87	97	131	146	154	141
85	25	31	60	84	91	79
90	10	45	97	133	147	
95	11	103	231	284	297	154
105	13	57	163	283	327	206
115	19	50	94	160	189	116
125	23	43	81	95	96	68
135	27	38	69	95	98	55
145	24	32	53	69	78	37
155	23	24	35	45	46	19
165	15	20	20	24	23	8
175	17	16	15	15	17	3
180	16	16	16	16	16	

COEFFICIENTS OF UTILIZATION (%)

Ceiling	80				70				50			
	70	50	30	10	70	50	30	10	50	30	10	
Wall	70	50	30	10	70	50	30	10	50	30	10	
0	88	88	88	88	84	84	84	84	75	75	75	
1	80	76	73	70	76	72	70	67	65	63	61	
2	73	67	62	57	69	63	59	55	57	53	50	
3	67	59	53	48	63	56	50	46	50	46	42	
4	61	52	46	41	58	50	44	39	45	40	36	
5	56	47	40	35	53	45	38	34	40	35	32	
6	52	42	35	31	49	40	34	30	37	31	28	
7	48	38	32	27	46	36	30	26	33	28	24	
8	45	35	28	24	42	33	27	23	30	25	22	
9	42	32	26	22	40	30	25	21	28	23	20	
10	39	29	23	19	37	28	23	19	26	21	18	

Based on floor reflectance of 20

LUMINANCE DATA (CD/M²)

Vertical Angle	Horizontal Angles		
	0	45	90
45	1080	938	964
55	635	631	721
65	532	577	696
75	618	587	638
85	373	395	532

i All IES files for other lamping are available for download at: www.axislighting.com