



Project _____

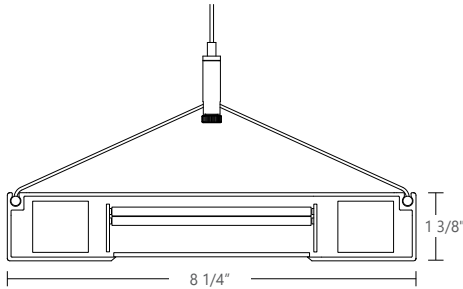
Type _____

Notes _____

PERFORMANCE PER LINEAR FOOT AT 3500K

DISTRIBUTION	NOMINAL LUMEN OUTPUT		INPUT WATTS	EFFICACY
	UP	DOWN		
100up/0down at 800 lm/ft	800 lm/ft		33 W	102 lm/W
100up/0down at 1000 lm/ft	1000 lm/ft		42 W	102 lm/W
100up/0down at 1500 lm/ft	1500 lm/ft		50 W	119 lm/W

REFER TO PHOTOMETRIC DATA SECTION FOR EXACT VALUES



Lumen/ft up: 1535 lm/ft
Total Lumens: 6000 lm (for 4ft)
Input Watts: 50.3 W (12.6W/ft)
Efficacy: 119 lm/W

CRI:80 shown (for CRI:90 use 0.8 multiplier on watts and efficacy)
 IES FILE: SLLED-B3-SL-100-0-1500-80-35-NO-NO-4-W-120-D-1.IES

TESTED ACCORDING TO IES LM-79-2008



Ordering Guide

SLLED	SL 100/0	NOMINAL LUMENS/FT	CRI	COLOR TEMPERATURE
PRODUCT ID	LIGHT ENGINE			
SLLED Pendant LED	SL 100/0 surroundlite 100%up/0% down	800 800 lm/ft 1000 1000 lm/ft 1500 1500 lm/ft	80 80 CRI 90 90 CRI	30 3000 K 35 3500 K 40 4000 K
Consult factory for outputs outside of the listed range.				Consult Axitune spec sheet for Axis color technology options

NO SHIELDING	FIXTURE LENGTH	FINISH	VOLTAGE	DRIVER
NO no shielding	4 4' 8 8' 12 12' S# system run	AP aluminum paint W white BLK black C custom	120 120 V 277 277 V 347 347 V ⁽¹⁾ UNV universal	DP dimming (0-10V) 1% LT Lutron ⁽²⁾ BI bi-level dimming O other ⁽³⁾
			(1) Consult factory	(2) Specify system (3) Please consult factory; see page 2 Consult Axitune spec sheet for Axis color driver options

CIRCUITS	MOUNTING/SUSPENSION	BATTERY (OPTIONAL)	OTHER	IC CONTROLS	CUSTOM
1 1 circuit 2 2 circuits 2A/B 2 circuit alternating/4ft +E(#) emergency section +NL(#) night light section +GTD(#) generator transfer device	CA(#) drywall+cable length (36" std.) CT9(#) TB/TG 9/16+cable length (36" std.) CT15(#) TB/TG 15/16+cable length (36" std.) CTS(#) ST+cable length (36" std.) SA(#) drywall+stem length >48" (18" std.) +SM seismic option	B# battery pack (integral)	F fuse	DS# daylight sensor OS# occupancy sensor DOS# daylight & occupancy sensor EN# Enlighted integral ENR# Enlighted remote WC# wireless control dimming	C custom
	See Ceiling Mount Guide for further details	For minimum 36" long fixture only Not available with 347V Please consult factory	Requires 120V or 277V	Specify quantity. Requires 8" blank. See integrated controls guide for more details.	Please specify



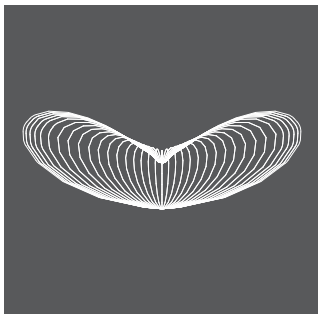
● SURROUNDLITE TECHNOLOGY

SLIM with SurroundLite provides the flexibility of high efficacy spherical three dimensional wide batwing distributions and shielding options that all result in true lighting effectiveness. SLIM is only 1.375" depth with integral driver and a light guide with proper cutoff and no view of bugs or dust particles.

An innovative technology to get much more out of LEDs: Axis SurroundLite is based on the fundamental physics of how light interacts with matter. The specially engineered lightguide is made of precisely coded and aligned molecules that shape LED output in all three dimensions.

With SurroundLite extra-wide, multidimensional light distribution, light is directed in all three planes and sent in every corner of the room. SurroundLite brings the promise of balanced brightness, facilitating lighting design.

3D Polar Curve (SL 100/0)



● SURROUNDLITE BENEFITS



Reduced 'Cave Effect', Increased Perceived Brightness

Wide 3D batwing uplight distribution lights up corners
Lighting at seam between ceiling and wall
3D light distribution from luminaire extremities lights up adjacent spaces and vertical planes

Use of Fewer Luminaires

The 3D nature of light distribution is well suited to checkerboard patterns, reducing the need for continuous rows.

Better Facial Modeling / Facial Recognition

Reflected light from illuminated surfaces within the space results in soft fill light on the vertical plane.

No Streaks or Hot Spots of Light

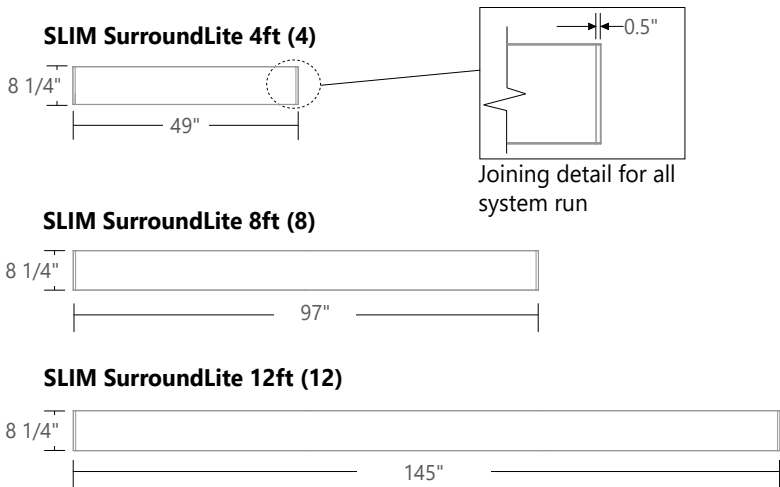
Axis SurroundLite technology spreads out light uniformly versus Lambertian distributions that put an intensity of light directly above and below the luminaire.



● LIGHT GUIDE

High precision light guide made of PMMA material, allows distribution of controlled light in all 3-dimensions to put light on both vertical and horizontal planes within the space. Patented lightguide design featuring molecular optics and precision-coupled optic components yield a high efficiency luminaire. In-plane mixing maximizes color uniformity while light emitting area is uniform and diffuse without 'head lighting' from the LED's.

● LENGTHS



● SYSTEMS (S#)

Runs of SLIM SurroundLite that are greater than 12ft in length are designated as systems (S#). This means that the run is comprised of a combination 4ft and/or 8ft sections to be assembled on site using our joining system. For more information on systems and joining, please refer to the SLIM SurroundLite installation sheets available at: www.axislighting.com under 'Downloads' tab.

● WEIGHT

SLIM SL 4 ft	15 lbs / 6.8 kg
SLIM SL 8 ft	27 lbs / 12.2 kg
SLIM SL 12 ft	39 lbs / 17.7 kg

● FINISH

Aluminum paint, powder coated and custom finishes are also available.

● APPROVALS

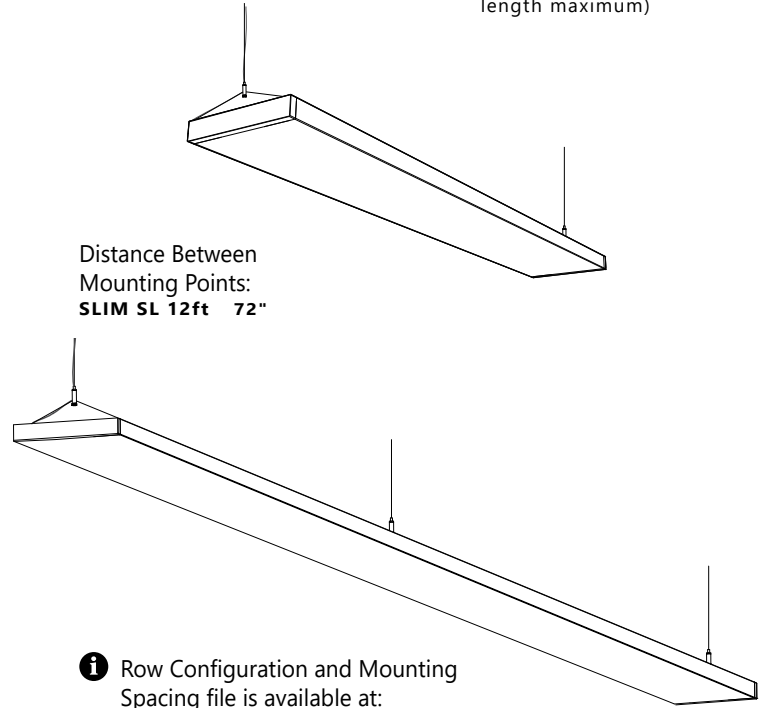
Certified to UL and CSA standards
Suitable for damp locations.



● SUSPENSION / MOUNTING SPACING

Distance Between Mounting Points:
SLIM SL 4ft 48"
SLIM SL 8ft 96"

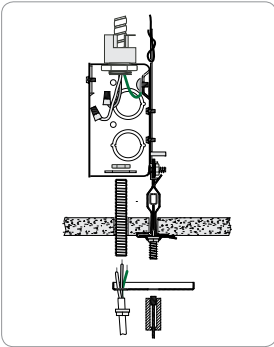
Standard Suspension Length (Adjustable):
CABLE: 36"
STEM: 18" (For 8' length maximum)



i Row Configuration and Mounting Spacing file is available at: www.axislighting.com under 'Downloads' tab.



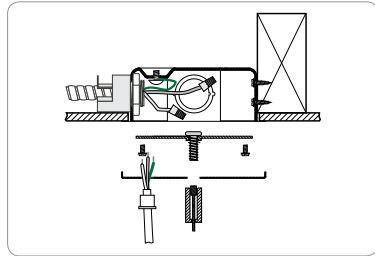
● MOUNTING OPTIONS



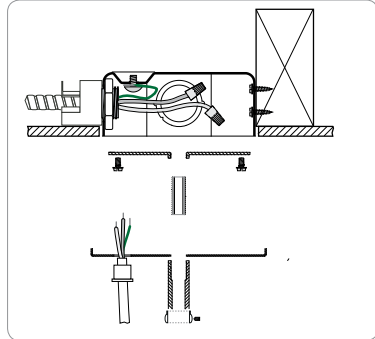
CT TILE CEILING - ON GRID

Mounting options are also available for slope ceiling and seismic bracing.

- i** Installation sheets for all mounting options are available at: www.axislighting.com under 'Downloads' tab.



CA DRYWALL CEILING



SA STEM MOUNT IN DRYWALL CEILING

● OTHER MOUNTING OPTIONS

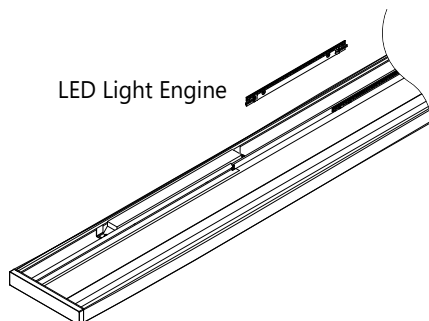
SLIM SurroundLite is also available as a wall mount.

- i** Specification sheets for pendant mounted SLIM luminaires are available at: www.axislighting.com under 'Downloads' tab.

● LED UPGRADE / REPLACEMENT

All LED light engines used are field replaceable and upgradable to ensure the lighting system will last for years. Future-proof design comes with easy access to LED light engines from above using quick connectors (included in luminaire) and a screwdriver.

- i** For more information on LED light engine upgrade and replacement, please refer to the SLIM LED Light Engine Replacement sheet available at: www.axislighting.com under 'Downloads' tab.



LED Light Engine

● LED SYSTEM

CRI	Minimum 80 or 90 color rendering index
CCT	Choice of 3000K, 3500K and 4000K color temperature with a great color consistency (within 3-step MacAdam ellipse). Both within fixture and fixture to fixture.
LED life	Minimum 50,000h with 85% of lumen maintenance in 25°C ambient temperature, in compliance with IES LM-80 testing measurements.
Thermal Management	Aluminum housing acting as the heat sink to maximize life.
Environment	Dry and damp rated in operating ambient temperatures of 0-40°C (32-104F)

● CONSTRUCTION

Housing	Extruded aluminum (0.075" nominal)
End Cap	Die cast aluminum (0.10" nominal)
Joiners	Die cast aluminum (0.10" nominal)
Interior Bracket	Die formed zinc (22 gauge)
Top Covers	Cold rolled sheet steel painted (24 gauge)
Hanger	adjustable slide mount
Suspension	Y shape aircraft cable or Ø 1/2" stem

● ELECTRICAL

Lutron driver*	LDE1 - EcoSystem H-Series (1%) LDE5 - EcoSystem 5-Series (5%) LTE - Hi-Lume® A-series 2Wires Forward Phase (1%) *Consult factory
-----------------------	---

Other drivers	DALI - Digital Addressable Lighting Interface DMX - Digital Multiplex LV - line voltage - Advance Mark 10 Xitanium SR - For wireless sensor
----------------------	--

Emergency	Integral emergency battery pack or emergency circuit optional.
------------------	--

Input Voltage	120V, 277V, 347V, UNV.
----------------------	------------------------

- i** Incorporating these components may have limitations or affect the length of the luminaire. Please contact factory for more details.

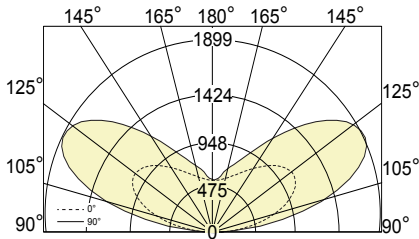


● PHOTOMETRIC DATA

NO SHIELDING (NO)

SLLED-B3-SL-100/0-1500-80-35-NO-4-4
100% up at 1500 lm/ft

PHOTOMETRIC CURVE



Lumen/ft up: 1535 lm/ft
Total Lumens: 6000 lm (for 4ft)
Input Watts: 50.3 W (12.6W/ft)
Efficacy: 119 lm/W

CRI:80 shown (for CRI:90 use 0.8 multiplier on watts and efficacy)

IES FILE: SLLED-B3-SL-100-0-1500-80-35-NO-NO-4-W-120-D-1.IES

TESTED ACCORDING TO IES LM-79-2008

CANDELA DISTRIBUTION

Vertical Angle	Horizontal Angles				
	0	22.5	45	67.5	90
90	0	0	0	0	0
95	92	75	39	25	24
105	536	579	707	903	993
115	896	996	1238	1558	1704
125	1039	1157	1426	1757	1896
135	979	1089	1308	1563	1663
145	831	925	1056	1208	1265
155	685	765	826	897	921
165	586	621	682	706	713
175	535	544	553	571	574
180	525	531	533	535	535

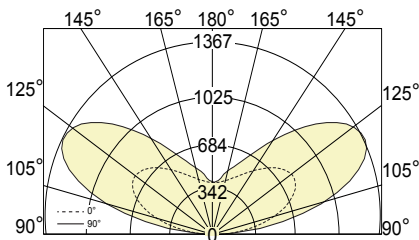
ZONAL LUMENS

Zone	Lumens
90	
90-100	254
100-110	936
110-120	1324
120-130	1283
130-140	975
140-150	629
150-160	363
160-170	182
170-180	53
180	

NO SHIELDING (NO)

SLLED-B3-SL-100/0-1000-80-35-NO-4-4
100% up at 1000 lm/ft

PHOTOMETRIC CURVE



Lumen/ft up: 1079 lm/ft
Total Lumens: 4317 lm (for 4ft)
Input Watts: 42 W
Efficacy: 102 lm/W

CRI:80 shown (for CRI:90 use 0.8 multiplier on watts and efficacy)

IES FILE: SLLED-B3-SL-100-0-1000-80-35-NO-NO-4-W-120-D-1.IES

TESTED ACCORDING TO IES LM-79-2008

CANDELA DISTRIBUTION

Vertical Angle	Horizontal Angles				
	0	22.5	45	67.5	90
90	0	0	0	0	0
95	145	141	147	155	152
105	462	504	621	793	872
115	687	765	950	1191	1299
125	749	833	1023	1250	1345
135	682	758	901	1065	1128
145	569	635	714	809	843
155	472	526	563	602	615
165	410	424	470	486	490
175	381	386	390	392	392
180	380	380	380	380	380

ZONAL LUMENS

Zone	Lumens
90	
90-100	183
100-110	674
110-120	953
120-130	924
130-140	702
140-150	453
150-160	262
160-170	131
170-180	38
180	

i All IES files are available for download at: www.axislighting.com

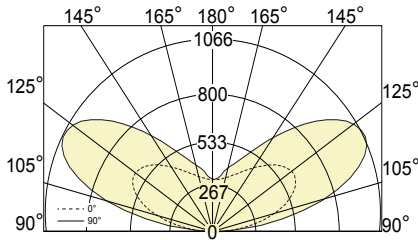


● PHOTOMETRIC DATA

NO SHIELDING (NO)

SLLED-B3-SL-100/0-800-80-35-NO-4-4
100% up at 800 lm/ft

PHOTOMETRIC CURVE



Lumen/ft up: 842 lm/ft
Total Lumens: 3367 lm (for 4ft)
Input Watts: 33 W
Efficacy: 102 lm/W

CRI:80 shown (for CRI:90 use 0.8 multiplier on watts and efficacy)
IES FILE: SLLED-B3-SL-100-0-800-80-35-NO-NO-4-W-120-D-1.IES

TESTED ACCORDING TO IES LM-79-2008

CANDELA DISTRIBUTION

Vertical Angle	Horizontal Angles				
	0	22.5	45	67.5	90
90	0	0	0	0	0
95	113	110	115	121	119
105	360	393	484	619	680
115	536	597	741	929	1013
125	584	650	798	975	1049
135	532	591	703	831	880
145	444	495	557	631	658
155	368	410	439	470	480
165	320	331	367	379	382
175	297	301	304	306	306
180	296	296	296	296	296

ZONAL LUMENS

Zone	Lumens
90	
90-100	142
100-110	526
110-120	744
120-130	720
130-140	548
140-150	353
150-160	204
160-170	102
170-180	30
180	

i All IES files are available for download at: www.axislighting.com