



Shown with VL optic



Shown with SM lens



Shown with louver

Project \_\_\_\_\_

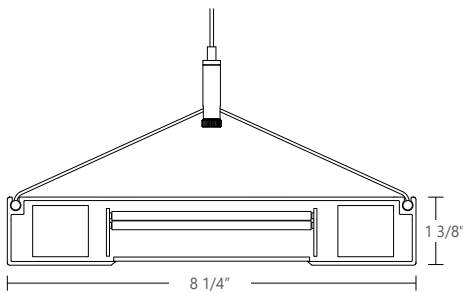
Type \_\_\_\_\_

Notes \_\_\_\_\_

### PERFORMANCE PER LINEAR FOOT AT 3500K (VL)

DISTRIBUTION	NOMINAL LUMEN OUTPUT		INPUT WATTS	EFFICACY
	UP	DOWN		
25up/75down at 1500 lm/ft	350 lm/ft	1150 lm/ft	67 W	90 lm/W
25up/75down at 1000 lm/ft	250 lm/ft	750 lm/ft	49 W	78 lm/W
25up/75down at 800 lm/ft	200 lm/ft	600 lm/ft	42 W	79 lm/W
35up/65down at 1500 lm/ft	537 lm/ft	997 lm/ft	64 W	93 lm/W
35up/65down at 1000 lm/ft	350 lm/ft	650 lm/ft	49 W	82 lm/W
35up/65 down at 800 lm/ft	280 lm/ft	520 lm/ft	42 W	82 lm/W

REFER TO PHOTOMETRIC DATA SECTION FOR EXACT VALUES



## Ordering Guide

SLLED	PRODUCT ID	LIGHT ENGINE	NOMINAL LUMENS/FT	CRI	COLOR TEMPERATURE	SHIELDING
Pendant LED	<b>SL 25/75</b> <b>SL 35/65</b>	surroundlite 25%up/75%down surroundlite 35%up/65%down	<b>600</b> 600 lm/ft <b>800</b> 800 lm/ft <b>1000</b> 1000 lm/ft <b>1500</b> 1500 lm/ft	<b>80</b> 80 CRI <b>90</b> 90 CRI	<b>30</b> 3000 K <b>35</b> 3500 K <b>40</b> 4000 K	<b>VL</b> VL optic <b>PL</b> flat-blade louvers <b>SM</b> smooth lens
			Applies to both UP & DOWN. Consult factory for outputs outside of the listed range.	Applies to both UP & DOWN.	<a href="#">Consult Axitune spec sheet for Axis color technology options</a> Applies to both UP & DOWN.	

FIXTURE LENGTH	FINISH	VOLTAGE	DRIVER
<b>4</b> 4' <b>8</b> 8' <b>12</b> 12' <b>S#</b> system run	<b>AP</b> aluminum paint <b>W</b> white <b>BLK</b> black <b>C</b> custom	<b>120</b> 120 V <b>277</b> 277 V <b>347</b> 347 V <sup>(1)</sup> <b>UNV</b> universal	<b>DP</b> dimming (0-10V) 1% <b>LT</b> Lutron <sup>(2)</sup> <b>BI</b> bi-level dimming <b>O</b> other <sup>(3)</sup>
		Applies to both UP & DOWN. (1) Consult factory	Applies to both UP & DOWN. (2) Specify system (3) Please consult factory; see page 2 <a href="#">Consult Axitune spec sheet for Axis color driver options</a>

CIRCUITS	MOUNTING/SUSPENSION	BATTERY (OPTIONAL)	OTHER	IC CONTROLS	CUSTOM
<b>1</b> 1 circuit <sup>(4)</sup> <b>2</b> 2 circuits <b>2A/B</b> 2 circuit alternating/4ft <b>+E(#)</b> emergency section <b>+NL(#)</b> night light section <b>+GTD(#)</b> generator transfer device (4) Control UP & DOWN lights together	<b>CA(#)</b> drywall+cable length (36" std.) <b>CT9(#)</b> TB/TG 9/16+cable length (36" std.) <b>CT15(#)</b> TB/TG 15/16+cable length (36" std.) <b>CTS(#)</b> ST+cable length (36" std.) <b>SA(#)</b> drywall+stem length >48" (18" std.) <b>+SM</b> seismic option See Ceiling Mount Guide for further details	<b>B#</b> battery pack (integral) For minimum 36" long fixture only Not available with 347V Please consult factory	<b>F</b> fuse Requires 120V or 277V	<b>DS#</b> daylight sensor <b>OS#</b> occupancy sensor <b>DOS#</b> daylight & occupancy sensor <b>EN#</b> Enlighted integral <b>ENR#</b> Enlighted remote <b>WC#</b> wireless control dimming Applies to both UP & DOWN. Specify quantity. Requires 8" blank. See integrated controls guide for more details.	<b>C</b> custom Please specify



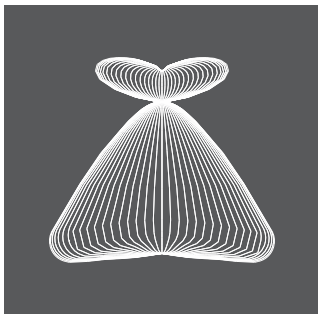
### ● SURROUNDLITE TECHNOLOGY

SLIM with SurroundLite provides the flexibility of high efficacy spherical three dimensional wide batwing distributions and shielding options that all result in true lighting effectiveness. Slim is only 1.375" depth with integral driver and a light guide with proper cutoff and no view of bugs or dust particles.

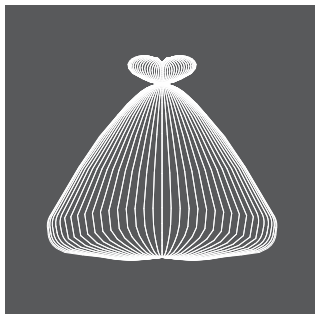
An innovative technology to get much more out of LEDs: Axis SurroundLite is based on the fundamental physics of how light interacts with matter. The specially engineered lightguide is made of precisely coded and aligned molecules that shape LED output in all three dimensions.

With SurroundLite extra-wide, multidimensional light distribution, light is directed in all three planes and sent in every corner of the room. SurroundLite brings the promise of balanced brightness, facilitating lighting design.

#### 3D Polar Curve (SL 35/65)



#### 3D Polar Curve (SL 25/75)



### ● SURROUNDLITE BENEFITS



#### Glare Mitigation

VL Optic, louvers and lenses yield lower luminance on the luminaire's light-emitting area.

#### Reduced 'Cave Effect', Increased Perceived Brightness

Wide 3D batwing uplight distribution lights up corners. Lighting at seam between ceiling and wall. 3D light distribution from luminaire extremities lights up adjacent spaces and vertical planes.

#### Use of Fewer Luminaires

The 3D nature of light distribution is well suited to checkerboard patterns, reducing the need for continuous rows.

#### Better Facial Modeling / Facial Recognition

Reflected light from illuminated surfaces within the space results in soft fill light on the vertical plane.

#### No Streaks or Hot Spots of Light

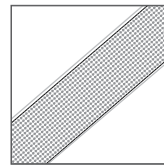
Axis SurroundLite technology spreads out light uniformly versus Lambertian distributions that put an intensity of light directly above and below the luminaire.



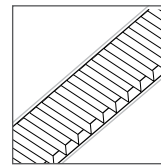
### ● LIGHT GUIDE

High precision light guide made of PMMA material, allows distribution of controlled light in all 3-dimensions to put light on both vertical and horizontal planes within the space. Patented lightguide design featuring molecular optics and precision-coupled optic components yield a high efficiency luminaire. In-plane mixing maximizes color uniformity while light emitting area is uniform and diffuse without 'head lighting' from the LED's.

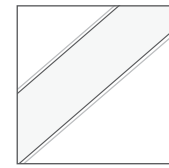
### ● OPTICS



VL vl optic



PL flat blade louvers

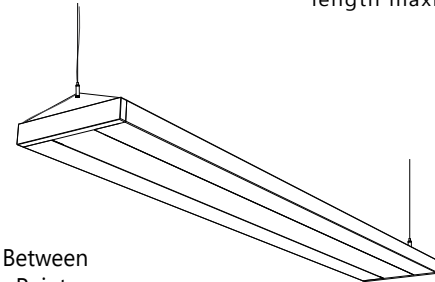


SM smooth lens

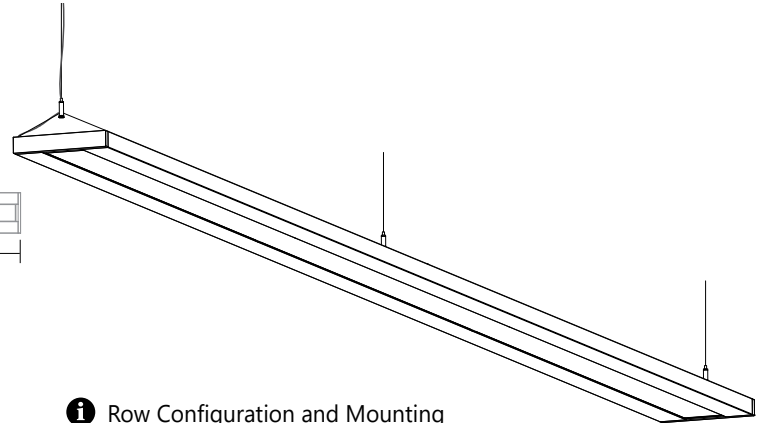
### ● SUSPENSION / MOUNTING SPACING

Distance Between Mounting Points:  
**SLIM SL 4ft 48"**  
**SLIM SL 8ft 96"**

Standard Suspension Length (Adjustable):  
**CABLE: 36"**  
**STEM: 18"** (For 8' length maximum)



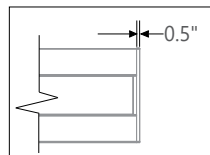
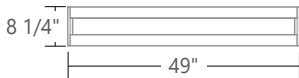
Distance Between Mounting Points:  
**SLIM SL 12ft 72"**



**i** Row Configuration and Mounting Spacing file is available at: [www.axislighting.com](http://www.axislighting.com) under 'Downloads' tab.

### ● LENGTHS

#### SLIM SurroundLite 4ft (4)

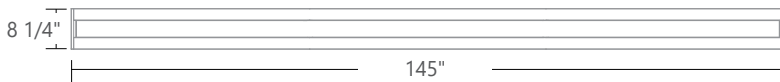


Joining detail for all system run

#### SLIM SurroundLite 8ft Continuous (with 8' shielding)



#### SLIM SurroundLite 12ft (with 12' shielding)



### ● SYSTEMS (S#)

Runs of SLIM SurroundLite that are greater than 12ft in length are designated as systems (S#). This means that the run is comprised of a combination 4ft and/or 8ft sections to be assembled on site using our joining system. For more information on systems and joining, please refer to the SLIM SurroundLite installation sheets available at: [www.axislighting.com](http://www.axislighting.com) under 'Downloads' tab.

### ● FINISH

Aluminum paint, powder coated and custom finishes are also available.

### ● APPROVALS

Certified to UL and CSA standards  
 Suitable for damp locations.

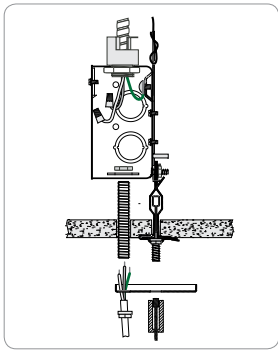


### ● WEIGHT

<b>SLIM SurroundLite 4 ft</b>	12 lbs / 5.4 kg
<b>SLIM SurroundLite 8 ft</b>	24 lbs / 10.9 kg
<b>SLIM SurroundLite 12 ft</b>	36 lbs / 16.3 kg



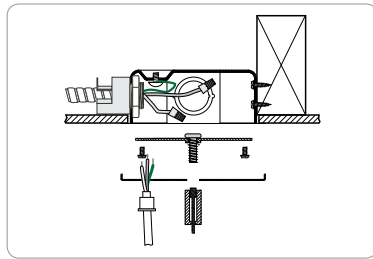
### ● MOUNTING OPTIONS



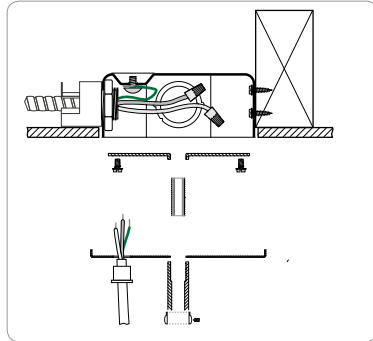
**GT TILE CEILING - ON GRID**

Mounting options are also available for slope ceiling and seismic bracing.

**i** Installation sheets for all mounting options are available at: [www.axislighting.com](http://www.axislighting.com) under 'Downloads' tab.



**CA DRYWALL CEILING**



**SA STEM MOUNT IN DRYWALL CEILING**

### ● OTHER MOUNTING OPTIONS

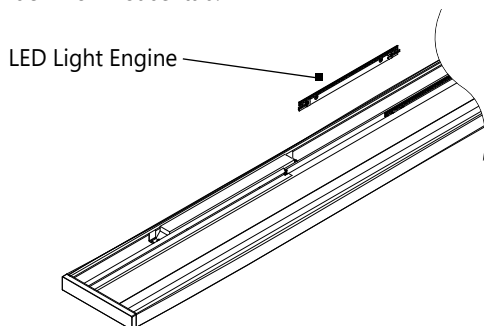
SLIM SurroundLite is also available as a wall mount.

**i** Specification sheets for pendant mounted SLIM luminaires are available at: [www.axislighting.com](http://www.axislighting.com) under 'Downloads' tab.

### ● LED UPGRADE / REPLACEMENT

All LED light engines used are field replaceable and upgradable to ensure the lighting system will last for years. Future-proof design comes with easy access to LED light engines from above using quick connectors (included in luminaire) and a screwdriver.

**i** For more information on LED light engine upgrade and replacement, please refer to the SLIM LED Light Engine Replacement sheet available at: [www.axislighting.com](http://www.axislighting.com) under 'Downloads' tab.



### ● LED SYSTEM

- CRI** Minimum 80 or 90 color rendering index
- CCT** Choice of 3000K, 3500K and 4000K color temperature with a great color consistency (within 3-step MacAdam ellipse). Both within fixture and fixture to fixture.
- LED life** Minimum 50,000h with 85% of lumen maintenance in 25°C ambient temperature, in compliance with IES LM-80 testing measurements.
- Thermal Management** Aluminum housing acting as the heat sink to maximize life.
- Environment** Dry and damp rated in operating ambient temperatures of 0-40°C (32-104F)

### ● CONSTRUCTION

- Housing** Extruded aluminum (0.075" nominal)
- End Cap** Die cast aluminum (0.10" nominal)
- Joiners** Die cast aluminum (0.10" nominal)
- Interior Bracket** Die formed zintec (22 gauge)
- Top Covers** Cold rolled sheet steel painted (24 gauge)
- VL<sub>optic</sub>** PMMA Precision formed microconical structure; 92 percent transmission that cuts off glare above 55 degrees
- Smooth Lens** Uniform frosted acrylic lens
- Flat blade louvers** Semispecular aluminum material (electronically anodized) for added visual comfort

### ● ELECTRICAL

- Lutron driver\*** LDE1 - EcoSystem H-Series (1%)  
LDE5 - EcoSystem 5-Series (5%)  
LTE - Hi-Lume® A-series 2Wires Forward Phase (1%)  
\*Consult factory
- Other drivers** DALI - Digital Addressable Lighting Interface  
DMX - Digital Multiplex  
LV - line voltage - Advance Mark 10  
Xitanium SR - For wireless sensor
- Emergency** Integral emergency battery pack or emergency circuit optional.
- Input Voltage** 120V, 277V, 347V, UNV.

**i** Incorporating these components may have limitations or affect the length of the luminaire. Please contact factory for more details.

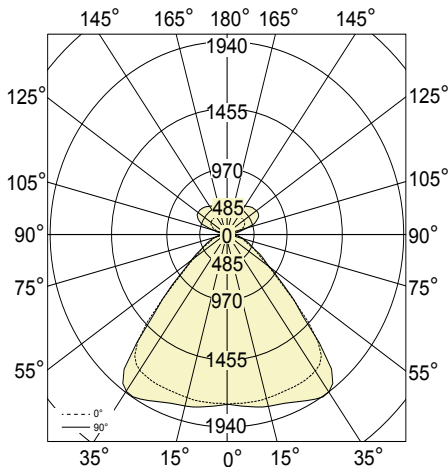


### PHOTOMETRIC DATA

#### VL LENS (VL)

SLLED-B3-SL-25/75-1500-80-35-VL-4-4  
25% up / 75% down at 1500 lm/ft

#### PHOTOMETRIC CURVE



**Lumen/ft up: 350 lm/ft**  
**Lumen/ft down: 1150 lm/ft**  
**Total Lumens: 6000 lm (for 4ft)**  
**Input Watts: 67 W (16.8W/ft)**  
**Efficacy: 90 lm/W**

CRI:80 shown (for CRI:90 use 0.8 multiplier on watts and efficacy)  
IES FILE: SLLED-B3-SL-25-75-1500-80-35-VL-4-4-W-120-D-1.IES  
TESTED ACCORDING TO IES LM-79-2008

#### CANDELA DISTRIBUTION

Vertical Angle	Horizontal Angles				
	0	22.5	45	67.5	90
0	1713	1713	1713	1713	1713
5	1708	1718	1716	1730	1737
15	1710	1729	1751	1779	1792
25	1702	1734	1785	1840	1861
35	1683	1738	1809	1887	1939
45	1259	1224	1202	1187	1166
55	508	542	556	541	531
65	276	293	285	281	295
75	166	172	163	155	163
85	67	58	58	58	42
90	0	0	0	0	0
95	42	34	31	31	28
105	139	169	197	172	169
115	202	245	299	343	359
125	219	270	329	376	392
135	221	268	321	361	373
145	218	255	299	329	339
155	218	254	274	295	298
165	216	232	255	259	257
175	210	213	215	218	218
180	208	208	208	208	208

#### ZONAL LUMENS

Zone	Lumens
0	
0-10	165
10-20	497
20-30	828
30-40	1122
40-50	935
50-60	495
60-70	287
70-80	172
80-90	60
90	
90-100	42
100-110	184
110-120	286
120-130	286
130-140	241
140-150	183
150-160	125
160-170	70
170-180	21
180	

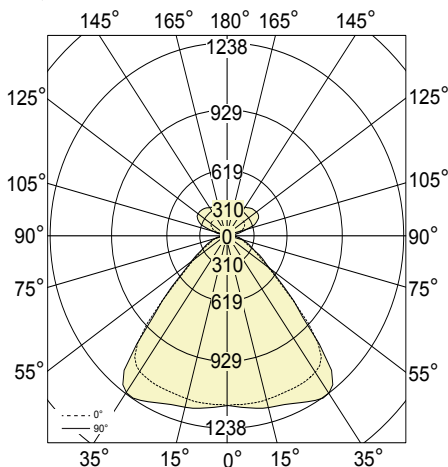
#### LUMINANCE DATA (cd/m<sup>2</sup>)

Vertical Angle	Horizontal Angles		
	0	45	90
45	17484	16700	16199
55	8697	9529	9099
65	6412	6630	6849
75	6305	6186	6186
85	7596	6536	4770

#### VL LENS (VL)

SLLED-B3-SL-25/75-1000-80-35-VL-4-4  
25% up / 75% down at 1000 lm/ft

#### PHOTOMETRIC CURVE



**Lumen/ft up: 229 lm/ft**  
**Lumen/ft down: 727 lm/ft**  
**Total Lumens: 3824 lm (for 4ft)**  
**Input Watts: 49 W**  
**Efficacy: 78 lm/W**

CRI:80 shown (for CRI:90 use 0.8 multiplier on watts and efficacy)  
IES FILE: SLLED-B3-SL-25-75-1000-80-35-VL-4-4-W-120-D-1.IES  
TESTED ACCORDING TO IES LM-79-2008

#### CANDELA DISTRIBUTION

Vertical Angle	Horizontal Angles				
	0	22.5	45	67.5	90
0	1093	1093	1093	1093	1093
5	1090	1096	1095	1104	1108
15	1091	1103	1117	1135	1143
25	1086	1106	1139	1174	1187
35	1074	1109	1154	1204	1237
45	803	781	767	757	744
55	324	346	355	345	339
65	176	187	182	179	188
75	106	110	104	99	104
85	43	37	37	37	27
90	0	0	0	0	0
95	27	22	20	20	18
105	89	108	126	110	108
115	129	156	191	219	229
125	140	172	210	240	250
135	141	171	205	230	238
145	139	163	191	210	216
155	139	162	175	188	190
165	138	148	163	165	164
175	134	136	137	139	139
180	133	133	133	133	133

#### ZONAL LUMENS

Zone	Lumens
0	
0-10	105
10-20	317
20-30	528
30-40	716
40-50	597
50-60	316
60-70	183
70-80	110
80-90	38
90	
90-100	27
100-110	117
110-120	182
120-130	183
130-140	154
140-150	117
150-160	80
160-170	45
170-180	14
180	

#### LUMINANCE DATA (cd/m<sup>2</sup>)

Vertical Angle	Horizontal Angles		
	0	45	90
45	11155	10655	10335
55	5549	6079	5805
65	4091	4230	4370
75	4023	3947	3947
85	4846	4170	3043

**i** All IES files are available for download at: [www.axislighting.com](http://www.axislighting.com)



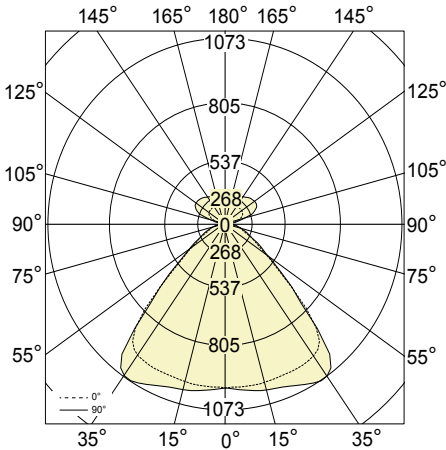


### ● PHOTOMETRIC DATA

#### VL LENS (VL)

SLLED-B3-SL-25/75-800-80-35-VL-4-4  
25% up / 75% down at 800 lm/ft

#### PHOTOMETRIC CURVE



**Lumen/ft up: 201 lm/ft**  
**Lumen/ft down: 627 lm/ft**  
**Total lumens: 3314 lm (for 4ft)**  
**Input Watts: 42 W**  
**Efficacy: 79 lm/W**

CRI:80 shown (for CRI:90 use 0.8 multiplier on watts and efficacy)  
IES FILE: SLLED-B3-SL-25-75-800-80-35-VL-4-4-W-120-D-1.IES  
TESTED ACCORDING TO IES LM-79-2008

#### CANDELA DISTRIBUTION

Vertical Angle	Horizontal Angles				
	0	22.5	45	67.5	90
0	946	946	946	946	946
5	944	949	949	957	960
15	944	954	968	984	990
25	939	957	988	1017	1029
35	928	959	1000	1044	1072
45	690	671	656	653	642
55	278	299	305	300	293
65	150	161	155	153	161
75	90	94	89	84	89
85	35	30	31	30	23
90	0	0	0	0	0
95	23	22	24	23	24
105	75	93	110	105	106
115	109	133	164	190	201
125	121	148	182	208	217
135	123	147	178	200	207
145	123	142	167	184	189
155	125	143	153	165	167
165	124	131	145	146	146
175	121	122	123	125	125
180	120	120	120	120	120

#### ZONAL LUMENS

Zone	Lumens
0	
0-10	91
10-20	275
20-30	457
30-40	620
40-50	514
50-60	272
60-70	157
70-80	94
80-90	32
90	
90-100	28
100-110	105
110-120	158
120-130	158
130-140	133
140-150	102
150-160	70
160-170	40
170-180	12
180	

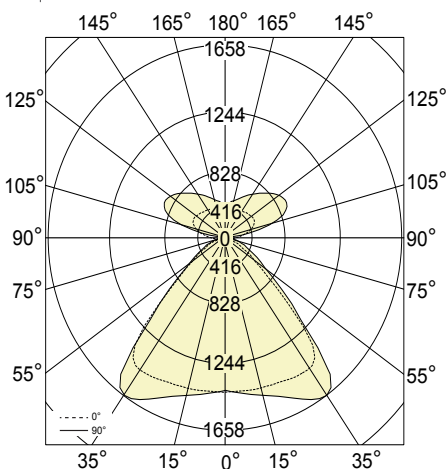
#### LUMINANCE DATA (cd/m<sup>2</sup>)

Vertical Angle	Horizontal Angles		
	0	45	90
45	9585	9113	8918
55	4761	5223	5018
65	3486	3603	3742
75	3416	3378	3378
85	3945	3494	2592

#### VL LENS (VL)

SLLED-B3-SL-35/65-1500-80-35-VL-4-4  
35% up / 65% down at 1500 lm/ft

#### PHOTOMETRIC CURVE



**Lumen/ft up: 537 lm/ft**  
**Lumen/ft down: 997 lm/ft**  
**Total Lumens: 6000 lm (for 4ft)**  
**Input Watts: 64.6 W (16.2W/ft)**  
**Efficacy: 93 lm/W**

CRI:80 shown (for CRI:90 use 0.8 multiplier on watts and efficacy)  
IES FILE: SLLED-B3-SL-35-65-1500-80-35-VL-4-4-W-120-D-1.IES  
TESTED ACCORDING TO IES LM-79-2008

#### CANDELA DISTRIBUTION

Vertical Angle	Horizontal Angles				
	0	22.5	45	67.5	90
0	1317	1317	1317	1317	1317
5	1313	1322	1324	1334	1341
15	1325	1343	1367	1395	1409
25	1343	1374	1443	1506	1529
35	1371	1438	1523	1609	1658
45	1059	1033	1019	1021	1005
55	429	460	471	464	455
65	229	245	238	235	247
75	137	142	133	128	133
85	53	44	47	46	33
90	0	0	0	0	0
95	70	84	70	61	46
105	224	280	361	410	425
115	315	382	492	597	637
125	333	397	503	594	627
135	317	371	452	520	543
145	301	341	399	445	460
155	292	327	355	382	389
165	282	298	326	333	333
175	268	270	275	278	277
180	266	266	266	266	266

#### ZONAL LUMENS

Zone	Lumens
0	
0-10	127
10-20	389
20-30	668
30-40	942
40-50	797
50-60	420
60-70	239
70-80	141
80-90	48
90	
90-100	88
100-110	353
110-120	477
120-130	440
130-140	344
140-150	247
150-160	163
160-170	90
170-180	27
180	

#### LUMINANCE DATA (cd/m<sup>2</sup>)

Vertical Angle	Horizontal Angles		
	0	45	90
45	14715	14156	13961
55	7346	8066	7796
65	5331	5535	5738
75	5183	5050	5050
85	5920	5328	3749

**i** All IES files are available for download at: [www.axislighting.com](http://www.axislighting.com)



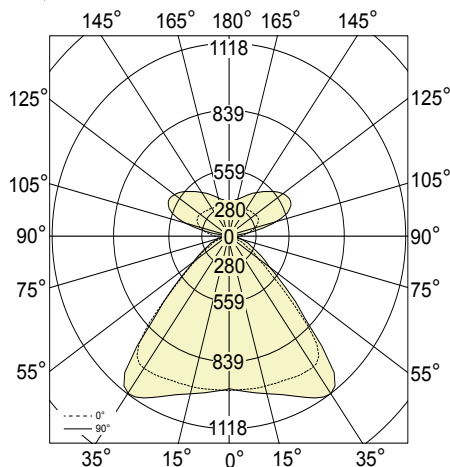
### PHOTOMETRIC DATA

#### VL LENS (VL)

SLLED-B3-SL-35/65-1000-80-35-VL-4-4

35% up / 65% down at 1000 lm/ft

#### PHOTOMETRIC CURVE



**Lumen/ft up: 376 lm/ft**  
**Lumen/ft down: 635 lm/ft**  
**Total Lumens: 4044 lm (for 4ft)**  
**Input Watts: 49 W**  
**Efficacy: 82 lm/W**

CRI:80 shown (for CRI:90 use 0.8 multiplier on watts and efficacy)  
 IES FILE: SLLED-B3-SL-35-65-1000-80-35-VL-4-4-W-120-D-1.IES  
 TESTED ACCORDING TO IES LM-79-2008

#### CANDELA DISTRIBUTION

Vertical Angle	Horizontal Angles				
	0	22.5	45	67.5	90
0	888	888	888	888	888
5	886	892	893	900	905
15	894	906	922	941	951
25	906	927	973	1016	1031
35	925	970	1027	1085	1118
45	715	697	687	689	678
55	289	311	318	313	307
65	155	165	161	158	167
75	92	96	90	86	90
85	35	30	32	31	22
90	0	0	0	0	0
95	47	57	47	41	31
105	151	189	243	276	287
115	213	257	332	403	430
125	224	268	339	400	423
135	214	250	305	351	366
145	203	230	269	300	311
155	197	221	240	257	262
165	190	201	220	224	224
175	181	182	185	188	187
180	180	180	180	180	180

#### ZONAL LUMENS

Zone	Lumens
0	
0-10	86
10-20	262
20-30	451
30-40	635
40-50	537
50-60	284
60-70	161
70-80	95
80-90	32
90	
90-100	59
100-110	238
110-120	322
120-130	297
130-140	232
140-150	166
150-160	110
160-170	61
170-180	18
180	

#### LUMINANCE DATA (cd/m²)

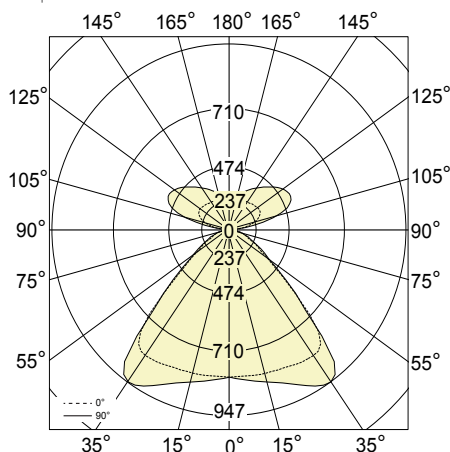
Vertical Angle	Horizontal Angles		
	0	45	90
45	9925	9548	9417
55	4955	5441	5258
65	3596	3733	3870
75	3496	3406	3406
85	3993	3594	2529

#### VL LENS (VL)

SLLED-B3-SL-35/65-800-80-35-VL-4-4

35% up / 65% down at 800 lm/ft

#### PHOTOMETRIC CURVE



**Lumen/ft up: 318 lm/ft**  
**Lumen/ft down: 538 lm/ft**  
**Total lumens: 3424 lm (for 4ft)**  
**Input Watts: 42 W**  
**Efficacy: 82 lm/W**

CRI:80 shown (for CRI:90 use 0.8 multiplier on watts and efficacy)  
 IES FILE: SLLED-B3-SL-35-65-800-80-35-VL-4-4-W-120-D-1.IES  
 TESTED ACCORDING TO IES LM-79-2008

#### CANDELA DISTRIBUTION

Vertical Angle	Horizontal Angles				
	0	22.5	45	67.5	90
0	752	752	752	752	752
5	750	755	756	762	766
15	757	767	781	797	805
25	767	785	824	860	873
35	783	821	870	919	947
45	605	590	582	583	574
55	245	263	269	265	260
65	131	140	136	134	141
75	78	81	76	73	76
85	30	25	27	26	19
90	0	0	0	0	0
95	40	48	40	35	26
105	128	160	206	234	243
115	180	218	281	341	364
125	190	227	287	339	358
135	181	212	258	297	310
145	172	195	228	254	263
155	167	187	203	218	222
165	161	170	186	190	190
175	153	154	157	159	158
180	152	152	152	152	152

#### ZONAL LUMENS

Zone	Lumens
0	
0-10	86
10-20	262
20-30	451
30-40	635
40-50	537
50-60	284
60-70	161
70-80	95
80-90	32
90	
90-100	59
100-110	238
110-120	322
120-130	297
130-140	232
140-150	166
150-160	110
160-170	61
170-180	18
180	

#### LUMINANCE DATA (cd/m²)

Vertical Angle	Horizontal Angles		
	0	45	90
45	8404	8085	7974
55	4196	4607	4453
65	3045	3161	3277
75	2960	2884	2884
85	3381	3043	2141

**i** All IES files are available for download at: [www.axislighting.com](http://www.axislighting.com)

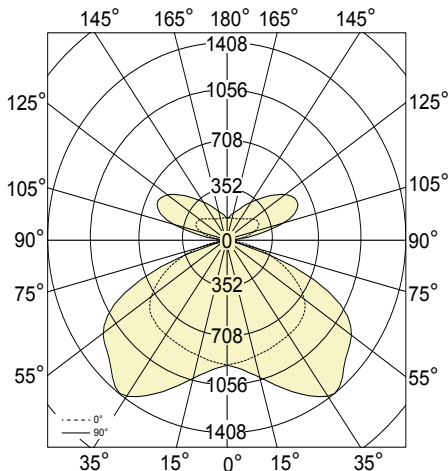


### PHOTOMETRIC DATA

#### FLAT-BLADE LOUVER (PL)

SLLED-B3-SL-35/65-1500-80-35-PL-4-4  
35% up / 65% down at 1500 lm/ft

#### PHOTOMETRIC CURVE



**Lumen/ft up: 537 lm/ft**  
**Lumen/ft down: 997 lm/ft**  
**Total Lumens: 6000 lm (for 4ft)**  
**Input Watts: 67.8W (16.95W/ft)**  
**Efficacy: 88 lm/W**

CRI:80 shown (for CRI:90 use 0.8 multiplier on watts and efficacy)  
IES FILE: SLLED-B3-SL-35-65-1500-80-35-PL-4-4-W-120-D-1.IES  
TESTED ACCORDING TO IES LM-79-2008

#### CANDELA DISTRIBUTION

Vertical Angle	Horizontal Angles				
	0	22.5	45	67.5	90
0	910	910	910	910	910
5	899	907	910	929	935
15	873	900	948	1014	1041
25	856	907	1014	1146	1217
35	845	921	1082	1267	1389
45	828	924	1095	1222	1312
55	748	840	954	1059	1206
65	547	584	623	731	897
75	274	258	204	133	106
85	40	19	2	0	0
90	0	0	0	0	0
95	68	84	74	62	47
105	207	269	351	413	435
115	277	348	464	576	619
125	264	331	440	541	578
135	223	277	359	430	456
145	191	228	285	329	345
155	174	201	231	256	263
165	168	179	196	206	207
175	165	166	169	171	171
180	165	165	165	165	165

#### ZONAL LUMENS

Zone	Lumens
0	
0-10	88
10-20	272
20-30	476
30-40	687
40-50	831
50-60	849
60-70	649
70-80	230
80-90	19
90	
90-100	90
100-110	347
110-120	448
120-130	387
130-140	273
140-150	176
150-160	106
160-170	55
170-180	17
180	

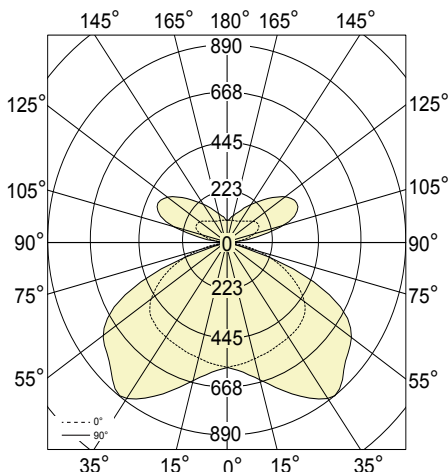
#### LUMINANCE DATA (cd/m²)

Vertical Angle	Horizontal Angles		
	0	45	90
45	11496	15210	18221
55	12817	16339	20648
65	12724	14490	20852
75	10389	7746	4023
85	4458	178	0

#### FLAT-BLADE LOUVER (PL)

SLLED-B3-SL-35/65-1000-80-35-PL-4-4  
35% up / 65% down at 1000 lm/ft

#### PHOTOMETRIC CURVE



**Lumen/ft up: 300 lm/ft**  
**Lumen/ft down: 648 lm/ft**  
**Total Lumens: 3792 lm (for 4ft)**  
**Input Watts: 49 W**  
**Efficacy: 77 lm/W**

CRI:80 shown (for CRI:90 use 0.8 multiplier on watts and efficacy)  
IES FILE: SLLED-B3-SL-35-65-1000-80-35-PL-4-4-W-120-D-1.IES  
TESTED ACCORDING TO IES LM-79-2008

#### CANDELA DISTRIBUTION

Vertical Angle	Horizontal Angles				
	0	22.5	45	67.5	90
0	575	575	575	575	575
5	568	573	575	587	591
15	552	569	599	641	658
25	541	573	641	724	769
35	534	582	684	801	878
45	523	584	692	772	829
55	473	531	603	669	762
65	346	369	394	462	567
75	173	163	129	84	67
85	25	12	1	0	0
90	0	0	0	0	0
95	43	53	47	39	30
105	131	170	222	261	275
115	175	220	293	364	391
125	167	209	278	342	365
135	141	175	227	272	288
145	121	144	180	208	218
155	110	127	146	162	166
165	106	113	124	130	131
175	104	105	107	108	108
180	104	104	104	104	104

#### ZONAL LUMENS

Zone	Lumens
0	
0-10	56
10-20	172
20-30	301
30-40	434
40-50	525
50-60	537
60-70	410
70-80	146
80-90	12
90	
90-100	57
100-110	220
110-120	283
120-130	245
130-140	173
140-150	111
150-160	67
160-170	35
170-180	10
180	

#### LUMINANCE DATA (cd/m²)

Vertical Angle	Horizontal Angles		
	0	45	90
45	7265	9613	11516
55	8100	10327	13049
65	8042	9157	13178
75	6566	4896	2543
85	2818	113	0

**i** All IES files are available for download at: [www.axislighting.com](http://www.axislighting.com)



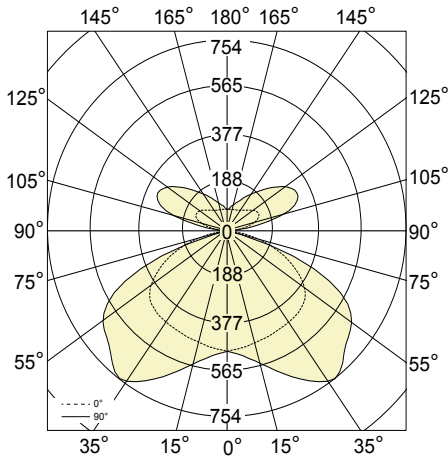


### ● PHOTOMETRIC DATA

#### FLAT-BLADE LOUVER (PL)

SLLED-B3-SL-35/65-800-80-35-PL-4-4  
35% up / 65% down at 800 lm/ft

#### PHOTOMETRIC CURVE



**Lumen/ft up: 254 lm/ft**  
**Lumen/ft down: 548 lm/ft**  
**Total lumens: 3209 lm (for 4ft)**  
**Input Watts: 41.5 W**  
**Efficacy: 77.3 lm/W**

CRI:80 shown (for CRI:90 use 0.8 multiplier on watts and efficacy)

IES FILE: SLLED-B3-SL-35-65-800-80-35-PL-4-4-W-120-D-1.IES

TESTED ACCORDING TO IES LM-79-2008

#### CANDELA DISTRIBUTION

Vertical Angle	Horizontal Angles				
	0	22.5	45	67.5	90
0	487	487	487	487	487
5	481	485	487	497	501
15	468	482	507	543	557
25	458	485	543	613	651
35	452	493	579	678	744
45	443	495	586	654	702
55	401	450	511	567	645
65	293	313	334	391	480
75	147	138	109	71	57
85	21	10	1	0	0
90	0	0	0	0	0
95	36	45	40	33	25
105	111	144	188	221	233
115	148	186	248	308	331
125	141	177	235	290	309
135	119	148	192	230	244
145	102	122	152	176	185
155	93	108	124	137	141
165	90	96	105	110	111
175	88	89	91	91	91
180	88	88	88	88	88

#### ZONAL LUMENS

Zone	Lumens
0	
0-10	47
10-20	146
20-30	255
30-40	368
40-50	445
50-60	455
60-70	347
70-80	123
80-90	10
90	
90-100	48
100-110	186
110-120	240
120-130	207
130-140	146
140-150	94
150-160	57
160-170	30
170-180	9
180	

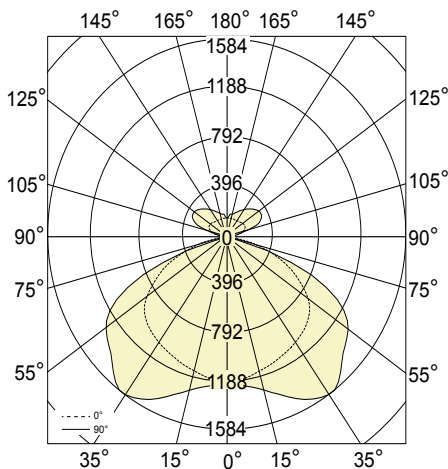
#### LUMINANCE DATA (cd/m<sup>2</sup>)

Vertical Angle	Horizontal Angles		
	0	45	90
45	6154	8142	9754
55	6861	8747	11053
65	6811	7756	11162
75	5561	4147	2154
85	2386	95	0

#### FLAT-BLADE LOUVER (PL)

SLLED-B3-SL-25-75-1500-80-35-PL-4-4  
25% up / 75% down at 1500 lm/ft

#### PHOTOMETRIC CURVE



**Lumen/ft up: 350 lm/ft**  
**Lumen/ft down: 1500 lm/ft**  
**Total Lumens: 5992 lm (for 4ft)**  
**Input Watts: 70.7W (17.7W/ft)**  
**Efficacy: 85 lm/W**

CRI:80 shown (for CRI:90 use 0.8 multiplier on watts and efficacy)

IES FILE: SLLED-B3-SL-25-75-1500-80-35-PL-4-4-W-120-D-1.IES

TESTED ACCORDING TO IES LM-79-2008

#### CANDELA DISTRIBUTION

Vertical Angle	Horizontal Angles				
	0	22.5	45	67.5	90
0	1199	1199	1199	1199	1199
5	1181	1189	1199	1212	1220
15	1138	1163	1210	1269	1302
25	1099	1138	1250	1382	1461
35	1059	1125	1292	1461	1582
45	1008	1095	1254	1356	1454
55	887	971	1068	1166	1323
65	635	656	697	803	981
75	313	292	231	146	113
85	48	25	5	2	0
90	0	0	0	0	0
95	41	30	23	20	18
105	130	154	182	156	148
115	179	218	271	318	335
125	182	228	289	341	359
135	171	212	264	310	325
145	161	192	233	266	275
155	156	189	205	225	230
165	156	174	192	193	193
175	156	157	159	164	166
180	156	156	156	156	156

#### ZONAL LUMENS

Zone	Lumens
0	
0-10	115
10-20	346
20-30	585
30-40	813
40-50	952
50-60	956
60-70	723
70-80	259
80-90	24
90	
90-100	35
100-110	167
110-120	260
120-130	252
130-140	200
140-150	143
150-160	94
160-170	53
170-180	16
180	

#### LUMINANCE DATA (cd/m<sup>2</sup>)

Vertical Angle	Horizontal Angles		
	0	45	90
45	14009	17426	20205
55	15192	18281	22662
65	14750	16198	22791
75	11887	8775	4294
85	5359	554	0

**i** All IES files are available for download at: [www.axislighting.com](http://www.axislighting.com)

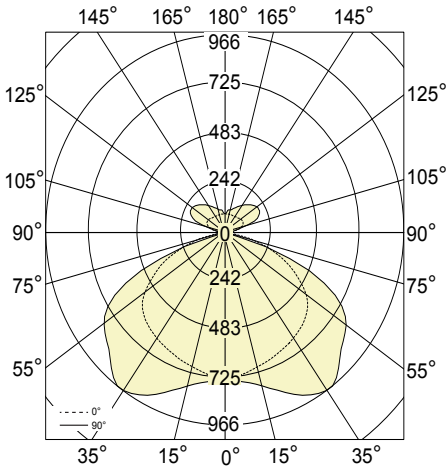


### PHOTOMETRIC DATA

#### FLAT-BLADE LOUVER (PL)

SLLED-B3-SL-25/75-1000-80-35-PL-4-4  
25% up / 75% down at 1000 lm/ft

#### PHOTOMETRIC CURVE



**Lumen/ft up: 186 lm/ft**  
**Lumen/ft down: 727 lm/ft**  
**Total Lumens: 3654 lm (for 4ft)**  
**Input Watts: 49 W**  
**Efficacy: 75 lm/W**

CRI:80 shown (for CRI:90 use 0.8 multiplier on watts and efficacy)  
IES FILE: SLLED-B3-SL-25-75-1000-80-35-PL-4-4-W-120-D-1.IES  
TESTED ACCORDING TO IES LM-79-2008

#### CANDELA DISTRIBUTION

Vertical Angle	Horizontal Angles				
	0	22.5	45	67.5	90
0	731	731	731	731	731
5	720	725	731	739	744
15	694	709	738	774	794
25	670	694	762	843	891
35	646	686	788	891	965
45	615	668	765	827	887
55	541	592	651	711	807
65	387	400	425	490	598
75	191	178	141	89	69
85	29	15	3	1	0
90	0	0	0	0	0
95	25	18	14	12	11
105	79	94	111	95	90
115	109	133	165	194	204
125	111	139	176	208	219
135	104	129	161	189	198
145	98	117	142	162	168
155	95	115	125	137	140
165	95	106	117	118	118
175	95	96	97	100	101
180	95	95	95	95	95

#### ZONAL LUMENS

Zone	Lumens
0	
0-10	70
10-20	211
20-30	357
30-40	496
40-50	581
50-60	583
60-70	441
70-80	158
80-90	14
90	
90-100	21
100-110	102
110-120	159
120-130	153
130-140	122
140-150	87
150-160	57
160-170	32
170-180	10
180	

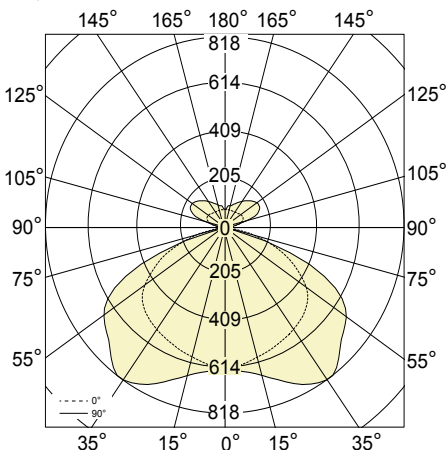
#### LUMINANCE DATA (cd/m<sup>2</sup>)

Vertical Angle	Horizontal Angles		
	0	45	90
45	8543	10627	12322
55	9265	11149	13820
65	8995	9878	13899
75	7249	5351	2619
85	3268	338	0

#### FLAT-BLADE LOUVER (PL)

SLLED-B3-SL-25/75-800-80-35-PL-4-4  
25% up / 75% down at 800 lm/ft

#### PHOTOMETRIC CURVE



**Lumen/ft up: 158 lm/ft**  
**Lumen/ft down: 615 lm/ft**  
**Total lumens: 3092 lm (for 4ft)**  
**Input Watts: 41.5 W**  
**Efficacy: 74.5 lm/W**

CRI:80 shown (for CRI:90 use 0.8 multiplier on watts and efficacy)  
IES FILE: SLLED-B3-SL-25-75-800-80-35-PL-4-4-W-120-D-1.IES  
TESTED ACCORDING TO IES LM-79-2008

#### CANDELA DISTRIBUTION

Vertical Angle	Horizontal Angles				
	0	22.5	45	67.5	90
0	619	619	619	619	619
5	610	614	619	626	630
15	588	601	625	656	673
25	567	588	645	714	755
35	547	581	667	755	817
45	521	566	648	700	751
55	458	501	551	602	684
65	328	339	360	415	507
75	162	151	119	75	58
85	25	13	3	1	0
90	0	0	0	0	0
95	21	15	12	10	9
105	67	80	94	80	76
115	92	113	140	164	173
125	94	118	149	176	185
135	88	109	136	160	168
145	83	99	120	137	142
155	80	97	106	116	119
165	80	90	99	100	100
175	80	81	82	85	86
180	80	80	80	80	80

#### ZONAL LUMENS

Zone	Lumens
0	
0-10	59
10-20	178
20-30	302
30-40	420
40-50	492
50-60	494
60-70	373
70-80	134
80-90	12
90	
90-100	18
100-110	86
110-120	134
120-130	130
130-140	103
140-150	74
150-160	49
160-170	27
170-180	8
180	

#### LUMINANCE DATA (cd/m<sup>2</sup>)

Vertical Angle	Horizontal Angles		
	0	45	90
45	7236	9001	10436
55	7847	9443	11706
65	7619	8367	11772
75	6140	4532	2218
85	2768	286	0

**i** All IES files are available for download at: [www.axislighting.com](http://www.axislighting.com)

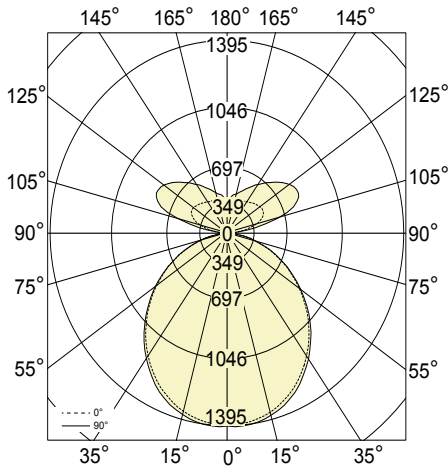


### PHOTOMETRIC DATA

#### SMOOTH LENS (SM)

SLLED-B3-SL-35/65-1500-80-35-SM-4-4  
35% up / 65% down at 1500 lm/ft

#### PHOTOMETRIC CURVE



**Lumen/ft up: 536 lm/ft**  
**Lumen/ft down: 996 lm/ft**  
**Total Lumens: 5991 lm (for 4ft)**  
**Input Watts: 64.6 W (16.2W/ft)**  
**Efficacy: 93 lm/W**

CRI:80 shown (for CRI:90 use 0.8 multiplier on watts and efficacy)  
IES FILE: SLLED-B3-SL-35-65-1500-80-35-SM-4-4-W-120-D-1.IES  
TESTED ACCORDING TO IES LM-79-2008

#### CANDELA DISTRIBUTION

Vertical Angle	Horizontal Angles				
	0	22.5	45	67.5	90
0	1390	1390	1390	1390	1390
5	1377	1384	1383	1391	1395
15	1330	1339	1341	1349	1355
25	1231	1239	1245	1255	1262
35	1084	1089	1098	1103	1109
45	899	904	910	917	918
55	690	693	697	700	700
65	464	464	468	470	470
75	237	241	241	243	241
85	44	44	40	38	38
90	0	0	0	0	0
95	70	79	72	73	65
105	222	272	349	393	405
115	311	374	478	580	616
125	321	386	485	574	606
135	299	351	431	496	518
145	274	314	368	414	428
155	258	290	318	344	351
165	248	262	285	293	293
175	243	246	248	251	251
180	243	243	243	243	243

#### ZONAL LUMENS

Zone	Lumens
0	132
0-10	379
20-30	574
30-40	686
40-50	702
50-60	622
60-70	462
70-80	255
80-90	55
90	
90-100	87
100-110	342
110-120	464
120-130	426
130-140	327
140-150	228
150-160	146
160-170	79
170-180	24
180	

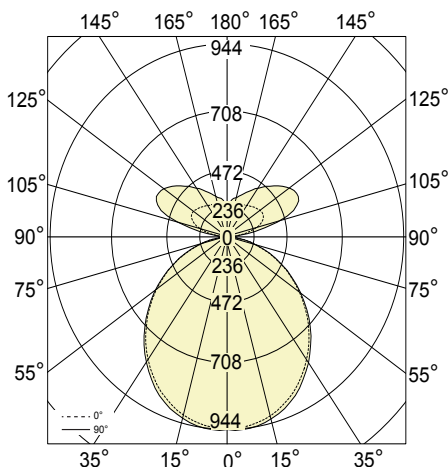
#### LUMINANCE DATA (cd/m<sup>2</sup>)

Vertical Angle	Horizontal Angles		
	0	45	90
45	12489	12635	12756
55	11809	11929	11988
65	10793	10874	10915
75	9011	9143	9143
85	4919	4525	4329

#### SMOOTH LENS (SM)

SLLED-B3-SL-35/65-1000-80-35-SM-4-4  
35% up / 65% down at 1000 lm/ft

#### PHOTOMETRIC CURVE



**Lumen/ft up: 359 lm/ft**  
**Lumen/ft down: 653 lm/ft**  
**Total Lumens: 4048 lm (for 4ft)**  
**Input Watts: 49 W**  
**Efficacy: 82 lm/W**

CRI:80 shown (for CRI:90 use 0.8 multiplier on watts and efficacy)  
IES FILE: SLLED-B3-SL-35-65-1000-80-35-SM-4-4-W-120-D-1.IES  
TESTED ACCORDING TO IES LM-79-2008

#### CANDELA DISTRIBUTION

Vertical Angle	Horizontal Angles				
	0	22.5	45	67.5	90
0	940	940	940	940	940
5	932	937	935	941	944
15	900	906	907	913	916
25	833	839	842	849	854
35	733	737	743	746	750
45	608	612	615	620	621
55	466	469	471	474	474
65	314	314	317	318	318
75	161	163	163	164	163
85	30	30	27	26	26
90	0	0	0	0	0
95	47	53	48	50	44
105	150	184	236	266	274
115	210	253	324	392	417
125	217	261	328	389	410
135	202	237	292	335	351
145	185	213	249	280	289
155	175	196	215	233	237
165	168	177	193	198	198
175	164	167	168	170	170
180	164	164	164	164	164

#### ZONAL LUMENS

Zone	Lumens
0	89
0-10	256
20-30	388
30-40	464
40-50	475
50-60	421
60-70	313
70-80	173
80-90	37
90	
90-100	59
100-110	231
110-120	314
120-130	288
130-140	221
140-150	154
150-160	99
160-170	54
170-180	16
180	

#### LUMINANCE DATA (cd/m<sup>2</sup>)

Vertical Angle	Horizontal Angles		
	0	45	90
45	8449	8547	8629
55	7989	8070	8110
65	7301	7356	7384
75	6096	6185	6185
85	3328	3061	2928

**i** All IES files are available for download at: [www.axislighting.com](http://www.axislighting.com)



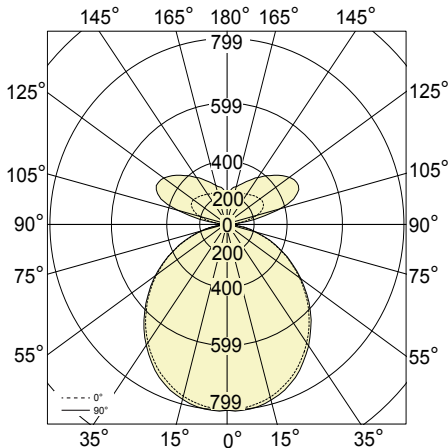
### PHOTOMETRIC DATA

#### SMOOTH LENS (SM)

SLLED-B3-SL-35/65-800-80-35-SM-4-4

35% up / 65% down at 800 lm/ft

#### PHOTOMETRIC CURVE



**Lumen/ft up: 304 lm/ft**  
**Lumen/ft down: 553 lm/ft**  
**Total lumens: 3428 lm (for 4ft)**  
**Input Watts: 42 W**  
**Efficacy: 82 lm/W**

CRI:80 shown (for CRI:90 use 0.8 multiplier on watts and efficacy)  
 IES FILE: SLLED-B3-SL-35-65-800-80-35-SM-4-4-W-120-D-1.IES  
 TESTED ACCORDING TO IES LM-79-2008

#### CANDELA DISTRIBUTION

Vertical Angle	Horizontal Angles				
	796	796	796	796	796
0	789	793	792	797	799
5	762	767	768	773	776
15	705	710	713	719	723
25	621	624	629	632	635
35	515	518	521	525	526
45	395	397	399	401	401
55	266	266	268	269	269
65	136	138	138	139	138
75	25	25	23	22	22
85	0	0	0	0	0
90	40	45	41	42	37
95	127	156	200	225	232
105	178	214	274	332	353
115	184	221	278	329	347
125	171	201	247	284	297
135	157	180	211	237	245
145	148	166	182	197	201
155	142	150	163	168	168
165	139	141	142	144	144
175	139	139	139	139	139
180	164	164	164	164	164

#### ZONAL LUMENS

Zone	Lumens
0	76
0-10	217
10-20	329
20-30	393
30-40	402
40-50	356
50-60	265
60-70	146
70-80	31
80-90	50
90	196
90-100	266
100-110	244
110-120	187
120-130	131
130-140	84
140-150	45
150-160	14
160-170	14
170-180	14
180	14

#### LUMINANCE DATA (cd/m<sup>2</sup>)

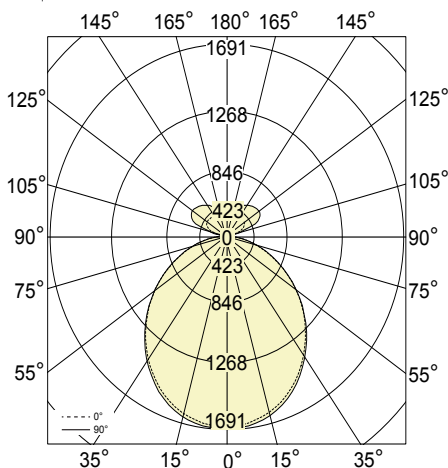
Vertical Angle	Horizontal Angles		
	0	45	90
45	7154	7237	7307
55	6764	6833	6867
65	6182	6229	6252
75	5161	5237	5237
85	2818	2592	2479

#### SMOOTH LENS (SM)

SLLED-B3-SL-25/75-1500-80-35-SM-4-4

25% up / 75% down at 1500 lm/ft

#### PHOTOMETRIC CURVE



**Lumen/ft up: 350 lm/ft**  
**Lumen/ft down: 1150 lm/ft**  
**Total Lumens: 5999 lm (for 4ft)**  
**Input Watts: 66.4 W (16.6W/ft)**  
**Efficacy: 90 lm/W**

CRI:80 shown (for CRI:90 use 0.8 multiplier on watts and efficacy)  
 IES FILE: SLLED-B3-SL-25-75-1500-80-35-SM-4-4-W-120-D-1.IES  
 TESTED ACCORDING TO IES LM-79-2008

#### CANDELA DISTRIBUTION

Vertical Angle	Horizontal Angles				
	0	22.5	45	67.5	90
0	1684	1684	1684	1684	1684
5	1670	1677	1675	1684	1691
15	1607	1620	1620	1627	1636
25	1482	1491	1496	1503	1510
35	1297	1304	1311	1313	1319
45	1073	1077	1080	1084	1086
55	821	822	824	824	824
65	550	552	552	552	552
75	283	285	287	285	283
85	56	56	52	50	48
90	0	0	0	0	0
95	41	38	41	45	43
105	134	161	193	179	179
115	195	235	288	337	357
125	213	256	317	365	385
135	210	251	305	348	362
145	206	236	281	315	324
155	202	231	253	276	281
165	201	215	233	242	240
175	201	202	204	210	210
180	201	201	201	201	201

#### ZONAL LUMENS

Zone	Lumens
0-10	160
10-20	458
20-30	689
30-40	818
40-50	833
50-60	735
60-70	546
70-80	303
80-90	68
90-100	48
100-110	184
110-120	278
120-130	276
130-140	230
140-150	173
150-160	116
160-170	65
170-180	20
180	43
180	13
180	13

#### LUMINANCE DATA (cd/m<sup>2</sup>)

Vertical Angle	Horizontal Angles		
	0	45	90
45	14908	15008	15082
55	14053	14114	14114
65	12784	12826	12826
75	10743	10879	10743
85	6260	5856	5452

**i** All IES files are available for download at: [www.axislighting.com](http://www.axislighting.com)



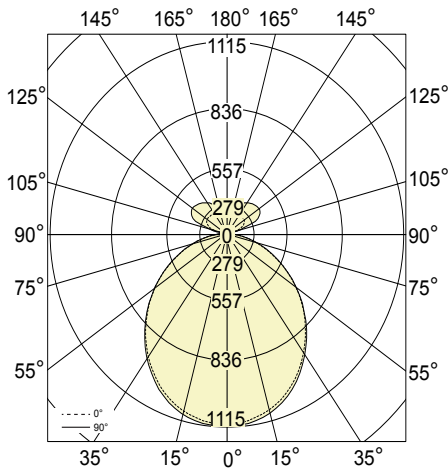
### PHOTOMETRIC DATA

#### SMOOTH LENS (SM)

SLLED-B3-SL-25/75-1000-80-35-SM-4-4

25% up / 75% down at 1000 lm/ft

#### PHOTOMETRIC CURVE



**Lumen/ft up: 229 lm/ft**  
**Lumen/ft down: 759 lm/ft**  
**Total Lumens: 3950 lm (for 4ft)**  
**Input Watts: 49 W**  
**Efficacy: 80 lm/W**

CRI:80 shown (for CRI:90 use 0.8 multiplier on watts and efficacy)  
 IES FILE: SLLED-B3-SL-25-75-1000-80-35-SM-4-4-W-120-D-1.IES  
 TESTED ACCORDING TO IES LM-79-2008

#### CANDELA DISTRIBUTION

Vertical Angle	Horizontal Angles				
	0	22.5	45	67.5	90
0	1110	1110	1110	1110	1110
5	1101	1105	1104	1110	1115
15	1059	1068	1068	1072	1078
25	977	983	986	991	996
35	855	860	864	866	869
45	707	710	712	715	716
55	541	542	543	543	543
65	363	364	364	364	364
75	187	188	189	188	187
85	37	37	34	33	32
90	0	0	0	0	0
95	27	25	27	30	28
105	89	106	128	118	118
115	129	155	190	222	235
125	141	169	209	241	254
135	138	165	201	229	239
145	136	156	185	208	214
155	133	152	167	182	185
165	132	142	154	159	158
175	132	133	135	138	138
180	132	132	132	132	132

#### ZONAL LUMENS

Zone	Lumens
0	
0-10	105
10-20	302
20-30	454
30-40	539
40-50	549
50-60	485
60-70	360
70-80	200
80-90	45
90	
90-100	32
100-110	121
110-120	183
120-130	182
130-140	152
140-150	114
150-160	77
160-170	43
170-180	13
180	

#### LUMINANCE DATA (cd/m²)

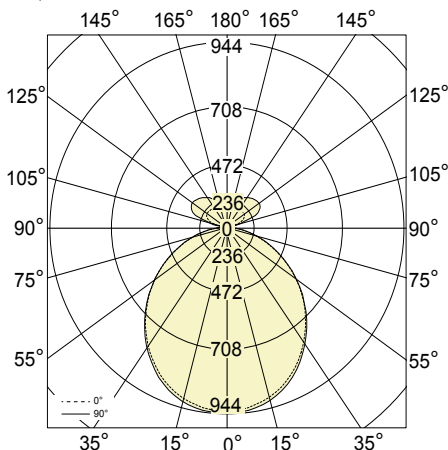
Vertical Angle	Horizontal Angles		
	0	45	90
45	9827	9893	9942
55	9263	9303	9303
65	8427	8454	8454
75	7082	7171	7082
85	4126	3860	3594

#### SMOOTH LENS (SM)

SLLED-B3-SL-25/75-800-80-35-SM-4-4

25% up / 75% down at 800 lm/ft

#### PHOTOMETRIC CURVE



**Lumen/ft up: 194 lm/ft**  
**Lumen/ft down: 642 lm/ft**  
**Total lumens: 3345 lm (for 4ft)**  
**Input Watts: 42 W**  
**Efficacy: 80 lm/W**

CRI:80 shown (for CRI:90 use 0.8 multiplier on watts and efficacy)  
 IES FILE: SLLED-B3-SL-25-75-800-80-35-SM-4-4-W-120-D-1.IES  
 TESTED ACCORDING TO IES LM-79-2008

#### CANDELA DISTRIBUTION

Vertical Angle	Horizontal Angles				
	0	22.5	45	67.5	90
0	940	940	940	940	940
5	932	936	935	940	944
15	897	904	904	908	913
25	827	832	835	839	843
35	724	728	732	733	736
45	599	601	603	605	606
55	458	459	460	460	460
65	307	308	308	308	308
75	158	159	160	159	158
85	31	31	29	28	27
90	0	0	0	0	0
95	23	21	23	25	24
105	75	90	108	100	100
115	109	131	161	188	199
125	119	143	177	204	215
135	117	140	170	194	202
145	115	132	157	176	181
155	113	129	141	154	157
165	112	120	130	135	134
175	112	113	114	117	117
180	112	112	112	112	112

#### ZONAL LUMENS

Zone	Lumens
0	
0-10	89
10-20	255
20-30	385
30-40	457
40-50	465
50-60	410
60-70	305
70-80	169
80-90	38
90	
90-100	27
100-110	103
110-120	155
120-130	154
130-140	128
140-150	96
150-160	65
160-170	36
170-180	11
180	

#### LUMINANCE DATA (cd/m²)

Vertical Angle	Horizontal Angles		
	0	45	90
45	8321	8376	8418
55	7843	7878	7878
65	7135	7159	7159
75	5996	6072	5996
85	3494	3268	3043

**i** All IES files are available for download at: [www.axislighting.com](http://www.axislighting.com)