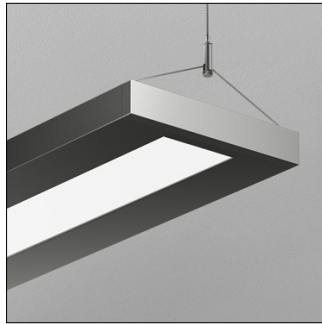




Shown with VL optic

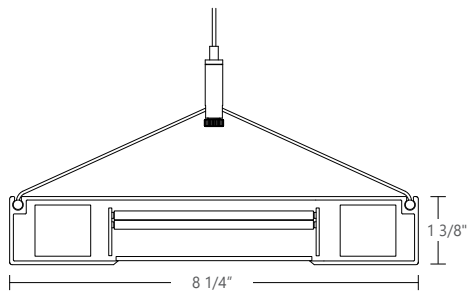


Shown with SM lens

Project \_\_\_\_\_

Type \_\_\_\_\_

Notes \_\_\_\_\_



### PERFORMANCE PER LINEAR FOOT AT 3500K (VL)

NOMINAL LUMEN OUTPUT		TOTAL lm/ft	INPUT WATTS	EFFICACY
UP	DOWN			
1000 lm/ft	250 lm/ft	1250 lm/ft	55 W	93 lm/W
1000 lm/ft	500 lm/ft	1500 lm/ft	68 W	90 lm/W
1000 lm/ft	750 lm/ft	1750 lm/ft	81 W	88 lm/W
750 lm/ft	250 lm/ft	1000 lm/ft	45 W	91 lm/W
500 lm/ft	250 lm/ft	750 lm/ft	34 W	89 lm/W

\*Refer To Photometric Data Section For Exact Values



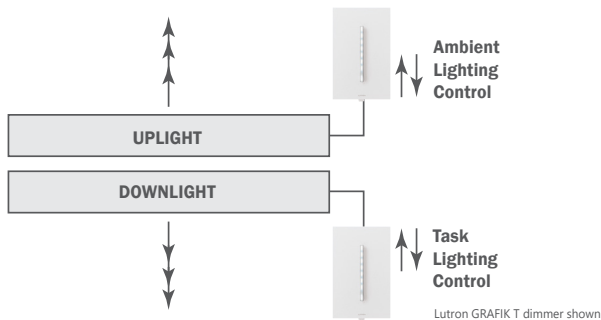
### Ordering Guide

SL2LLED	2xSL	NOM. LUMENS/FT UP		NOM. LUMENS/FT DOWN		CRI		COLOR TEMP.	
<b>PRODUCT ID</b>	<b>LIGHT ENGINE</b>								
SL2LLED Pendant LED LO-output	2xSL 2xSurroundlite	<b>500</b> 500 lm/ft - Minimum		<b>250</b> 250 lm/ft - Minimum		<b>80</b> 80 CRI		<b>30</b> 3000 K	
		<b>1000</b> 1000 lm/ft - Maximum		<b>750</b> 750 lm/ft - Maximum		<b>90</b> 90 CRI		<b>35</b> 3500 K	
								<b>40</b> 4000 K	
Applies to both UP & DOWN.		Outputs between listed min and max are available. Consult factory for outputs outside of the listed range.				Applies to both UP & DOWN.		Applies to both UP & DOWN.	

SHIELDING DOWN	FIXTURE LENGTH	FINISH		VOLTAGE		DRIVER			
<b>VL</b> VL optic	<b>4</b> 4'	<b>AP</b> aluminum paint		<b>120</b> 120 V		<b>DP</b> dimming (0-10V) 1%			
<b>SM</b> smooth lens	<b>8</b> 8'	<b>W</b> white		<b>277</b> 277 V		<b>LT</b> Lutron <sup>(1)</sup>			
	<b>12</b> 12'	<b>BLK</b> black		<b>347</b> 347 V		<b>BI</b> bi-level dimming			
	<b>S#</b> system run	<b>C</b> custom		<b>UNV</b> universal		<b>O</b> other <sup>(2)</sup>			
				Applies to both UP & DOWN.		Applies to both UP & DOWN. (1) Specify system (2) Please consult factory; see page 2			

CIRCUITS	MOUNTING/SUSPENSION	BATTERY DOWN	OTHER (OPTIONAL)	IC CONTROLS (OPTIONAL)	CUSTOM
<b>1</b> 1 circuit	<b>CA(#)</b> drywall+cable length (36" std.)	<b>B#</b> battery pack (integral)	<b>F</b> fuse	<b>DS#</b> daylight sensor	<b>C</b> custom
<b>2</b> 2 circuits	<b>CT9(#)</b> TB/TG 9/16+cable length (36" std.)			<b>OS#</b> occupancy sensor	
<b>+E(#)</b> emergency section	<b>CT15(#)</b> TB/TG 15/16+cable length (36" std.)			<b>DOS#</b> daylight & occupancy sensor	
<b>+NL(#)</b> night light section	<b>CTS(#)</b> ST+cable length (36" std.)			<b>EN#</b> Enlighted integral	
<b>+GTD(#)</b> generator transfer device	<b>SA(#)</b> drywall+stem length >48" (18" std.)			<b>ENR#</b> Enlighted remote	
	<b>+SM</b> seismic option			<b>WC#</b> wireless control dimming	
	See Ceiling Mount Guide for more details	For minimum 36" long fixture only Not available with 347V Please consult factory	Requires 120V or 277V	Applies to both UP & DOWN. See integrated controls guide for more details.	Please specify

### ● 2xSURROUNDLITE TECHNOLOGY

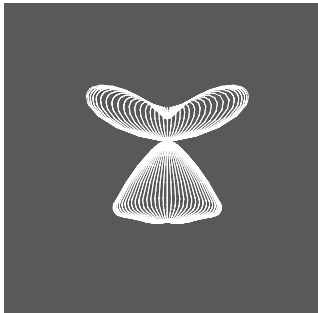


2xSurroundLite technology features two separately controlled lightguides – one for ambient lighting (uplight), the other for task lighting (downlight).

Each of the two integral drivers can be controlled through standard 0-10V dimming, as well as integrated daylight and occupancy sensors for added energy savings.

Each lightguide provides all the quality lighting benefits of SurroundLite's spherical 3D batwing light distribution, including non-Lambertian uniform planes of light similar to natural light and light distribution both along and across the luminaire, and at the extremities.

### 3D Polar Curve (2xSL 1000 up/750 down)



FEATURES	BENEFITS
SurroundLite Technology	<ul style="list-style-type: none"> <li>• Wide, 3D spherical distribution throw along, across and out from ends of luminaire.</li> <li>• Optimized component integration (driver, thermal, optical, etc.) delivering higher efficacy and longer life.</li> </ul>
SurroundLite (UP)	<ul style="list-style-type: none"> <li>• Balanced, uniform LED lighting on ceiling similar to daylight.</li> <li>• Effective lighting of horizontal/vertical surfaces, reducing cave effect.</li> </ul>
SurroundLite (DOWN)	<ul style="list-style-type: none"> <li>• Shielding options for downlight control and glare mitigation.</li> <li>• Soft glow when downlight component off, improving visual comfort.</li> </ul>
Separate Uplight/Downlight Control	<ul style="list-style-type: none"> <li>• Adaptability for mixed-use environments.</li> <li>• Dimming according to individual preferences.</li> <li>• Added energy savings through integrated sensors.</li> </ul>

### ● 2xSURROUNDLITE AT A GLANCE



#### Total Lighting Control

Dual drivers provide three areas of control:

- **Light Consumption** (maximum lumen output / wattage)
- **Light Allocation** (ambient and task)
- **Light Intensity** (dimming control).

#### Superior Lighting Flexibility

Separate ambient and task lighting control allows designers to create layers of light in line with their vision for the lit environment. Also, end users can better accommodate mixed-use spaces by modulating downlight intensities in accordance with the different task lighting needs of individuals and departments.

#### Factory-set Lumen Options

2xSurroundLite lets you choose from multiple preselected up/down lumen output combinations to meet your maximum allowable energy requirements and target light levels:

- 9 HI-output models
- 9 LO-output models (see pages 7-11)

#### Quality Lighting Benefits

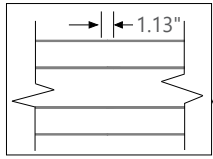
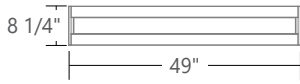
2xSurroundLite features the same quality lighting advantages as SurroundLite, including glare mitigation, visual comfort, improved facial recognition, lighting effectiveness (up to 97 lm/W) and absence of hot spots.

#### Applications in Every Building

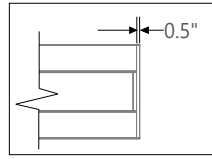
2xSurroundLite luminaires are best suited for private offices, conference rooms and open areas where task lighting varies by department and occupant preference. They allow you to fine tune lighting intensities according to task, time of day, daylight contribution, personal preference and environment.

### ● LENGTHS

#### SLIM 2xSurroundLite 4ft (4)

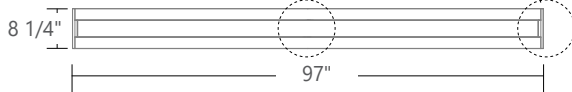


For all fixture lengths

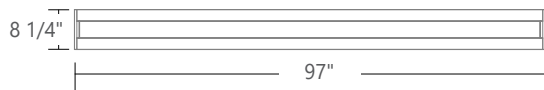


For all fixture lengths

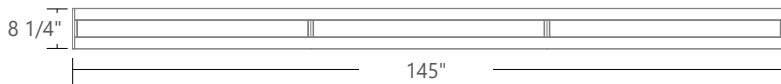
#### SLIM 2xSurroundLite 8ft (with 4' shielding)



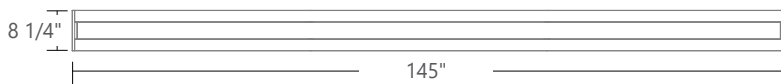
#### SLIM 2xSurroundLite 8ft Continuous (with 8' shielding)



#### SLIM 2xSurroundLite 12ft (with 4' shielding)



#### SLIM 2xSurroundLite 12ft (with 12' shielding)



### ● SYSTEMS (S#)

Runs of SLIM 2xSurroundLite that are greater than 12ft in length are designated as systems (S#). This means that the run is comprised of a combination 4ft and/or 8ft sections to be assembled on site using our joining system. For more information on systems and joining, please refer to the SLIM 2xSurroundLite installation sheets available at: [www.axislighting.com](http://www.axislighting.com) under 'Downloads' tab.


### ● WEIGHT

**SLIM 2x SurroundLite 4 ft** 14 lbs / 6.4 kg  
**SLIM 2xSurroundLite 8 ft** 28 lbs / 12.7 kg  
**SLIM 2xSurroundLite 12 ft** 42 lbs / 19.1 kg

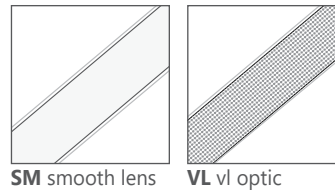
### ● FINISH

Aluminum paint, powder coated and custom finishes are also available.

### ● APPROVALS

Certified to UL and CSA standards   
 Suitable for damp locations.

### ● OPTICS



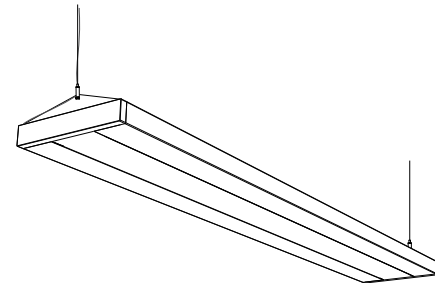
SM smooth lens

VL vl optic

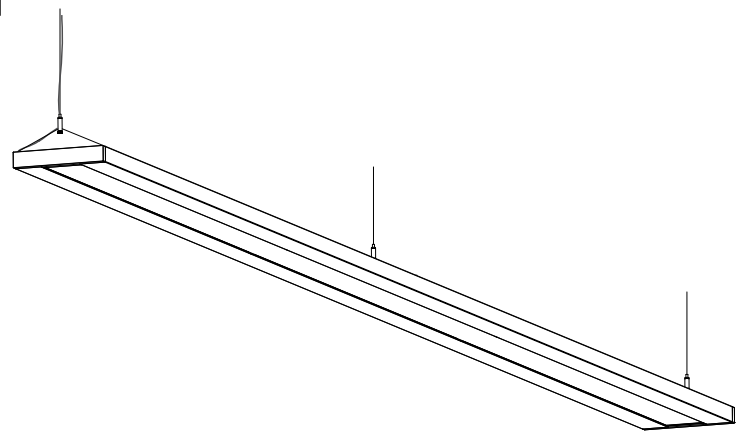
### ● SUSPENSION / MOUNTING SPACING

Distance Between Mounting Points:  
**SLIM 2xSL 4ft** 48"  
**SLIM 2xSL 8ft** 96"

Standard Suspension Length (Adjustable):  
**CABLE: 36"**  
**STEM: 18"** (For 8' length maximum)

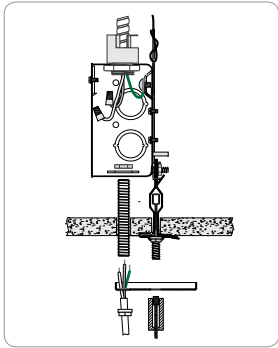


Distance Between Mounting Points:  
**SLIM 2xSL 12ft** 72"



**i** Row configuration and mounting spacing file is available at: [www.axislighting.com](http://www.axislighting.com) under 'Downloads' tab.

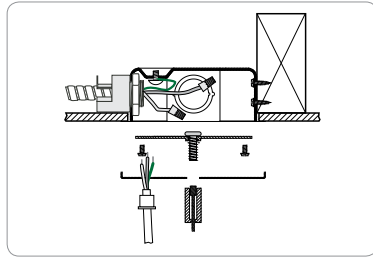
### ● MOUNTING OPTIONS



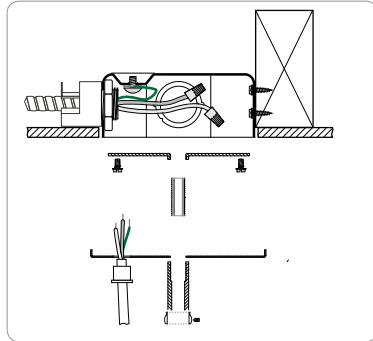
**GT TILE CEILING - ON GRID**

Mounting options are also available for slope ceiling and seismic bracing.

**i** Installation sheets for all mounting options are available at: [www.axislighting.com](http://www.axislighting.com) under 'Downloads' tab.



**CA DRYWALL CEILING**

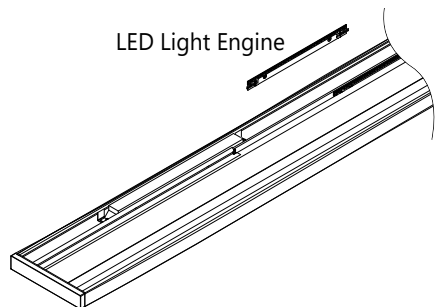


**SA STEM MOUNT IN DRYWALL CEILING**

### ● LED UPGRADE / REPLACEMENT

All LED light engines used are field replaceable and upgradable to ensure the lighting system will last for years. Future-proof design comes with easy access to LED light engines from above using quick connectors (included in luminaire) and a screwdriver.

**i** For more information on LED light engine upgrade and replacement, please refer to the SLIM LED Light Engine Replacement sheet available at: [www.axislighting.com](http://www.axislighting.com) under 'Downloads' tab.



LED Light Engine

### ● LED SYSTEM

<b>CRI</b>	Minimum 80, 85 or 90 color rendering index
<b>CCT</b>	Choice of 3000K, 3500K and 4000K color temperature with a great color consistency (within 3-step MacAdam ellipse). Both within fixture and fixture to fixture.
<b>LED life</b>	Minimum 50,000h with 85% of lumen maintenance in 25°C ambient temperature, in compliance with IES LM-80 testing measurements.
<b>Thermal Management</b>	Aluminum housing acting as the heat sink to maximize life.
<b>Environment</b>	Dry and damp rated in operating ambient temperatures of 0-40°C (32-104F)

### ● CONSTRUCTION

<b>Housing</b>	Extruded aluminum (0.075" nominal)
<b>End Cap</b>	Die cast aluminum (0.10" nominal)
<b>Joiners</b>	Die cast aluminum (0.10" nominal)
<b>Interior Bracket</b>	Die formed zinc (22 gauge)
<b>Top Covers</b>	Cold rolled sheet steel painted (24 gauge)
<b>VL<sup>opti</sup></b>	PMMA Precision formed microconical structure; 92 percent transmission that cuts off glare above 55 degrees
<b>Smooth Lens</b>	Uniform frosted acrylic lens
<b>Hanger</b>	adjustable slide mount
<b>Suspension</b>	Y shape aircraft cable or Ø 1/2" stem

### ● ELECTRICAL

<b>Lutron driver*</b>	LDE1 - EcoSystem H-Series (1%) LDE5 - EcoSystem 5-Series (5%) LTE - Hi-Lume® A-series 2Wires Forward Phase (1%) *Consult factory
<b>Other drivers</b>	DALI - Digital Addressable Lighting Interface DMX - Digital Multiplex LV - line voltage - Advance Mark 10 Xitanium SR - For wireless sensor
<b>Emergency</b>	Integral emergency battery pack or emergency circuit optional.
<b>Input Voltage</b>	120V, 277V, 347V, UNV.

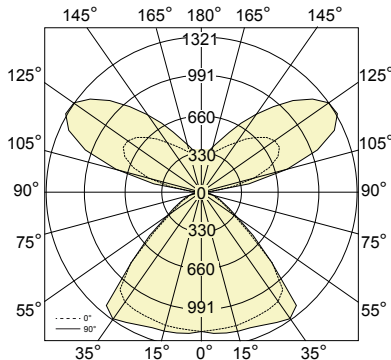
**i** Incorporating these components may have limitations or affect the length of the luminaire. Please contact factory for more details.

### ● PHOTOMETRIC DATA

#### VL LENS (VL)

SL2LLED-B3-SL2-1000-750-80-35-VL  
1000lm/ft up / 750lm/ft down

#### PHOTOMETRIC CURVE



**Lumen/ft up: 1013 lm/ft**  
**Lumen/ft down: 766 lm/ft**  
**Total Lumens: 7115 lm (for 4ft)**  
**Input Watts: 81 W**  
**Efficacy: 88 lm/W**

CRI:80 shown (for CRI:90 use 0.8 multiplier on watts and efficacy)  
IES FILE: SL2LLED-B3-SL2-1000-750-80-35-VL-4-4-W-120-D-1.ies  
TESTED ACCORDING TO IES LM-79-2008

#### CANDELA DISTRIBUTION

Vertical Angle	Horizontal Angles				
	0	22.5	45	67.5	90
0	1170	1170	1170	1170	1170
5	1162	1169	1174	1182	1192
15	1161	1170	1185	1197	1209
25	1144	1156	1189	1219	1232
35	1124	1159	1212	1265	1300
45	842	829	837	851	834
55	333	365	375	368	368
65	180	191	185	185	195
75	107	107	103	100	108
85	33	30	35	35	33
90	0	0	0	0	0
95	92	97	100	88	82
105	457	476	576	695	749
115	711	764	938	1146	1235
125	756	828	1011	1222	1310
135	653	721	874	1029	1090
145	514	561	669	763	797
155	406	433	493	542	557
165	343	353	378	396	400
175	317	319	322	322	321
180	314	314	314	314	314

#### ZONAL LUMENS

Zone	Lumens
0	
0-10	112
10-20	335
20-30	551
30-40	751
40-50	647
50-60	339
60-70	190
70-80	110
80-90	38
90	
90-100	141
100-110	610
110-120	927
120-130	906
130-140	676
140-150	420
150-160	229
160-170	108
170-180	31
180	

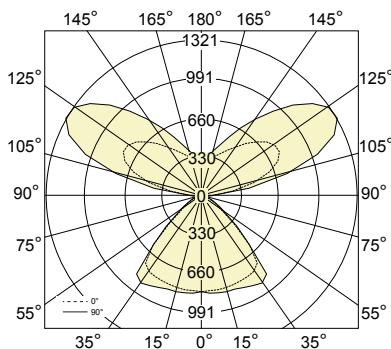
#### LUMINANCE DATA (cd/m<sup>2</sup>)

Vertical Angle	Horizontal Angles		
	0	45	90
45	12106	12034	11986
55	5899	6636	6518
65	4323	4443	4683
75	4183	4053	4249
85	3882	4076	3882

#### VL LENS (VL)

SL2LLED-B3-SL2-1000-500-80-35-VL  
1000lm/ft up / 500lm/ft down

#### PHOTOMETRIC CURVE



**Lumen/ft up: 1013 lm/ft**  
**Lumen/ft down: 525 lm/ft**  
**Total Lumens: 6149 lm (for 4ft)**  
**Input Watts: 68 W**  
**Efficacy: 90 lm/W**

CRI:80 shown (for CRI:90 use 0.8 multiplier on watts and efficacy)  
IES FILE: SL2LLED-B3-SL2-1000-500-80-35-VL-4-4-W-120-D-1.ies

TESTED ACCORDING TO IES LM-79-2008

#### CANDELA DISTRIBUTION

Vertical Angle	Horizontal Angles				
	0	22.5	45	67.5	90
0	801	801	801	801	801
5	796	800	804	809	816
15	795	801	812	820	828
25	783	791	814	834	844
35	770	793	830	866	890
45	577	568	573	583	571
55	228	250	257	252	252
65	123	131	127	127	133
75	73	73	71	68	74
85	23	21	24	24	23
90	0	0	0	0	0
95	92	97	100	88	82
105	457	476	576	695	749
115	711	764	938	1146	1235
125	756	828	1011	1222	1310
135	653	721	874	1029	1090
145	514	561	669	763	797
155	406	433	493	542	557
165	343	353	378	396	400
175	317	319	322	322	321
180	314	314	314	314	314

#### ZONAL LUMENS

Zone	Lumens
0	
0-10	77
10-20	230
20-30	377
30-40	514
40-50	443
50-60	232
60-70	130
70-80	75
80-90	26
90	
90-100	141
100-110	610
110-120	927
120-130	906
130-140	676
140-150	420
150-160	229
160-170	108
170-180	31
180	

#### LUMINANCE DATA (cd/m<sup>2</sup>)

Vertical Angle	Horizontal Angles		
	0	45	90
45	8289	8240	8207
55	4039	4544	4463
65	2960	3042	3207
75	2864	2775	2909
85	2658	2791	2658

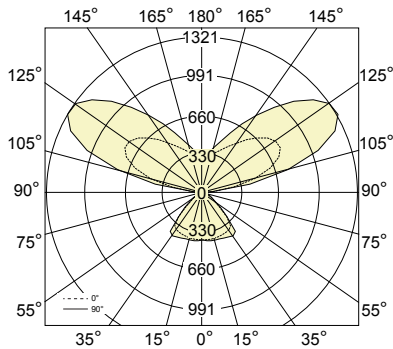
**i** All IES files are available for download at: [www.axislighting.com](http://www.axislighting.com)

### ● PHOTOMETRIC DATA

#### VL LENS (VL)

SL2LLED-B3-SL2-1000-250-80-35-VL  
1000lm/ft up / 250lm/ft down

#### PHOTOMETRIC CURVE



**Lumen/ft up: 1013 lm/ft**  
**Lumen/ft down: 264 lm/ft**  
**Total Lumens: 5105 lm (for 4ft)**  
**Input Watts: 55 W**  
**Efficacy: 93 lm/W**

CRI:80 shown (for CRI:90 use 0.8 multiplier on watts and efficacy)

IES FILE: SL2LLED-B3-SL2-1000-250-80-35-VL-4-4-W-120-D-1.ies  
TESTED ACCORDING TO IES LM-79-2008

#### CANDELA DISTRIBUTION

Vertical Angle	Horizontal Angles				
	0	22.5	45	67.5	90
0	403	403	403	403	403
5	400	402	404	407	410
15	399	403	408	412	416
25	394	398	409	419	424
35	387	399	417	435	448
45	290	285	288	293	287
55	115	125	129	127	127
65	62	66	64	64	67
75	37	37	36	34	37
85	11	10	12	12	11
90	0	0	0	0	0
95	92	97	100	88	82
105	457	476	576	695	749
115	711	764	938	1146	1235
125	756	828	1011	1222	1310
135	653	721	874	1029	1090
145	514	561	669	763	797
155	406	433	493	542	557
165	343	353	378	396	400
175	317	319	322	322	321
180	314	314	314	314	314

#### ZONAL LUMENS

Zone	Lumens
0	
0-10	39
10-20	115
20-30	190
30-40	258
40-50	223
50-60	117
60-70	65
70-80	38
80-90	13
90	
90-100	141
100-110	610
110-120	927
120-130	906
130-140	676
140-150	420
150-160	229
160-170	108
170-180	31
180	

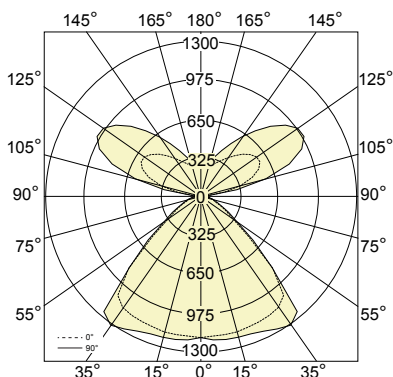
#### LUMINANCE DATA (CD/M<sup>2</sup>)

Vertical Angle	Horizontal Angles		
	0	45	90
45	4166	4141	4125
55	2030	2284	2243
65	1488	1529	1612
75	1440	1395	1462
85	1336	1403	1336

#### VL LENS (VL)

SL2LLED-B3-SL2-750-750-80-35-VL  
750lm/ft up / 750lm/ft down

#### PHOTOMETRIC CURVE



**Lumen/ft up: 759 lm/ft**  
**Lumen/ft down: 766 lm/ft**  
**Total Lumens: 6099 lm (for 4ft)**  
**Input Watts: 70 W**  
**Efficacy: 87 lm/W**

CRI:80 shown (for CRI:90 use 0.8 multiplier on watts and efficacy)

IES FILE: SL2LLED-B3-SL2-750-750-80-35-VL-4-4-W-120-D-1.ies

TESTED ACCORDING TO IES LM-79-2008

#### CANDELA DISTRIBUTION

Vertical Angle	Horizontal Angles				
	0	22.5	45	67.5	90
0	1170	1170	1170	1170	1170
5	1162	1169	1174	1182	1192
15	1161	1170	1185	1197	1209
25	1144	1156	1189	1219	1232
35	1124	1159	1212	1265	1300
45	842	829	837	851	834
55	333	365	375	368	368
65	180	191	185	185	195
75	107	107	103	100	108
85	33	30	35	35	33
90	0	0	0	0	0
95	69	73	75	66	61
105	342	357	432	521	561
115	533	573	703	859	925
125	566	620	758	916	982
135	489	540	655	771	817
145	385	421	502	572	598
155	304	325	370	406	417
165	257	264	283	297	300
175	237	239	242	242	240
180	235	235	235	235	235

#### ZONAL LUMENS

Zone	Lumens
0	
0-10	112
10-20	335
20-30	551
30-40	751
40-50	647
50-60	339
60-70	190
70-80	110
80-90	38
90	
90-100	106
100-110	458
110-120	695
120-130	679
130-140	506
140-150	314
150-160	172
160-170	81
170-180	23
180	

#### LUMINANCE DATA (CD/M<sup>2</sup>)

Vertical Angle	Horizontal Angles		
	0	45	90
45	12106	12034	11986
55	5899	6636	6518
65	4323	4443	4683
75	4183	4053	4249
85	3882	4076	3882

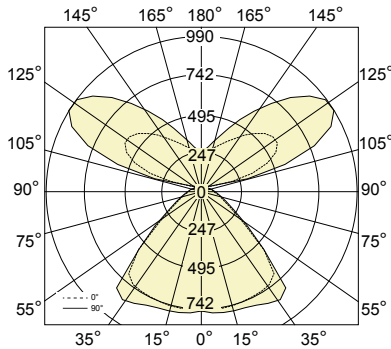
**i** All IES files are available for download at: [www.axislighting.com](http://www.axislighting.com)

## ● PHOTOMETRIC DATA

### VL LENS (VL)

SL2LLED-B3-SL2-750-500-80-35-VL  
750lm/ft up / 500lm/ft down

#### PHOTOMETRIC CURVE



**Lumen/ft up: 759 lm/ft**  
**Lumen/ft down: 525 lm/ft**  
**Total Lumens: 5133 lm (for 4ft)**  
**Input Watts: 58 W**  
**Efficacy: 88 lm/W**

CRI:80 shown (for CRI:90 use 0.8 multiplier on watts and efficacy)  
IES FILE: SL2LLED-B3-SL2-750-500-80-35-VL-4-4-W-120-D-1.ies

TESTED ACCORDING TO IES LM-79-2008

### CANDELA DISTRIBUTION

Vertical Angle	Horizontal Angles				
	0	22.5	45	67.5	90
0	801	801	801	801	801
5	796	800	804	809	816
15	795	801	812	820	828
25	783	791	814	834	844
35	770	793	830	866	890
45	577	568	573	583	571
55	228	250	257	252	252
65	123	131	127	127	133
75	73	73	71	68	74
85	23	21	24	24	23
90	0	0	0	0	0
95	69	73	75	66	61
105	342	357	432	521	561
115	533	573	703	859	925
125	566	620	758	916	982
135	489	540	655	771	817
145	385	421	502	572	598
155	304	325	370	406	417
165	257	264	283	297	300
175	237	239	242	242	240
180	235	235	235	235	235

### ZONAL LUMENS

Zone	Lumens
0	77
0-10	77
10-20	230
20-30	377
30-40	514
40-50	443
50-60	232
60-70	130
70-80	75
80-90	26
90	106
90-100	106
100-110	458
110-120	695
120-130	679
130-140	506
140-150	314
150-160	172
160-170	81
170-180	23
180	23

### LUMINANCE DATA (CD/M<sup>2</sup>)

Vertical Angle	Horizontal Angles		
	0	45	90
45	8289	8240	8207
55	4039	4544	4463
65	2960	3042	3207
75	2864	2775	2909
85	2658	2791	2658

Axis Lighting

## lighting facts®

A Program of the U.S. DDE

---

**Light Output (Lumens)** 4473  
**Watts** 52.17  
**Lumens per Watt (Efficacy)** 85.7

---

**Color Accuracy**  
Color Rendering Index (CRI) 85

---

**Light Color**  
Correlated Color Temperature (CCT) 3476 (Bright White)

2700K 3000K 4500K 6500K

**LED Lumen Maintenance Projection at 36,000 Hours at 25°C Ambient\*** 100.65%

**Warranty\*\*** Yes

All results, except LED Lumen Maintenance, are according to IESNA LM-79-2008: Approved Method for the Electrical and Photometric Testing of Solid-State Lighting. The U.S. Department of Energy (DOE) verifies product test data and results.

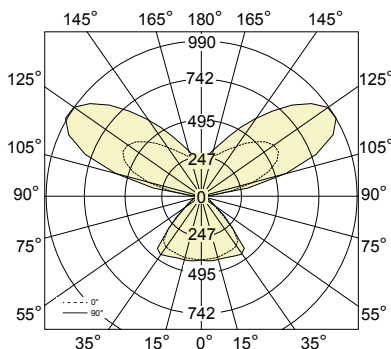
\* Based on TM-21 projections for the light source.  
\*\* See [www.lightingfacts.com/products](http://www.lightingfacts.com/products) for details.

Registration Number: AEYL-TBBHFD (Revised)  
Model Number: SL2LLED-B3-2XSL-750-500-85-3500-VL-4-4-W-UVV-DALI-2-CT1538  
Type: Luminaire - Other

### VL LENS (VL)

SL2LLED-B3-SL2-750-250-80-35-VL  
750lm/ft up / 250lm/ft down

#### PHOTOMETRIC CURVE



**Lumen/ft up: 759 lm/ft**  
**Lumen/ft down: 264 lm/ft**  
**Total Lumens: 4089 lm (for 4ft)**  
**Input Watts: 45 W**  
**Efficacy: 91 lm/W**

CRI:80 shown (for CRI:90 use 0.8 multiplier on watts and efficacy)  
IES FILE: SL2LLED-B3-SL2-750-250-80-35-VL-4-4-W-120-D-1.ies

### CANDELA DISTRIBUTION

Vertical Angle	Horizontal Angles				
	0	22.5	45	67.5	90
0	403	403	403	403	403
5	400	402	404	407	410
15	399	403	408	412	416
25	394	398	409	419	424
35	387	399	417	435	448
45	290	285	288	293	287
55	115	125	129	127	127
65	62	66	64	64	67
75	37	37	36	34	37
85	11	10	12	12	11
90	0	0	0	0	0
95	69	73	75	66	61
105	342	357	432	521	561
115	533	573	703	859	925
125	566	620	758	916	982
135	489	540	655	771	817
145	385	421	502	572	598
155	304	325	370	406	417
165	257	264	283	297	300
175	237	239	242	242	240
180	235	235	235	235	235

### ZONAL LUMENS

Zone	Lumens
0	39
0-10	39
10-20	115
20-30	190
30-40	258
40-50	223
50-60	117
60-70	65
70-80	38
80-90	13
90	106
90-100	106
100-110	458
110-120	695
120-130	679
130-140	506
140-150	314
150-160	172
160-170	81
170-180	23
180	23

### LUMINANCE DATA (CD/M<sup>2</sup>)

Vertical Angle	Horizontal Angles		
	0	45	90
45	4166	4141	4125
55	2030	2284	2243
65	1488	1529	1612
75	1440	1395	1462
85	1336	1403	1336

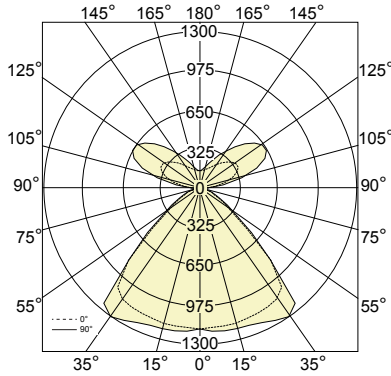
❶ All IES files are available for download at: [www.axislighting.com](http://www.axislighting.com)

### ● PHOTOMETRIC DATA

#### VL LENS (VL)

SL2LLED-B3-SL2-500-750-80-35-VL  
500lm/ft up / 750lm/ft down

#### PHOTOMETRIC CURVE



**Lumen/ft up: 496 lm/ft**  
**Lumen/ft down: 766 lm/ft**  
**Total Lumens: 5050 lm (for 4ft)**  
**Input Watts: 59 W**  
**Efficacy: 86 lm/W**

CRI:80 shown (for CRI:90 use 0.8 multiplier on watts and efficacy)  
IES FILE: SL2LLED-B3-SL2-500-750-80-35-VL-4-4-W-120-D-1.ies

TESTED ACCORDING TO IES LM-79-2008

#### CANDELA DISTRIBUTION

Vertical Angle	Horizontal Angles				
	0	22.5	45	67.5	90
0	1170	1170	1170	1170	1170
5	1162	1169	1174	1182	1192
15	1161	1170	1185	1197	1209
25	1144	1156	1189	1219	1232
35	1124	1159	1212	1265	1300
45	842	829	837	851	834
55	333	365	375	368	368
65	180	191	185	185	195
75	107	107	103	100	108
85	33	30	35	35	33
90	0	0	0	0	0
95	45	48	49	43	40
105	224	234	283	341	367
115	349	375	460	562	605
125	370	406	496	599	642
135	320	353	428	505	535
145	252	275	328	374	391
155	199	212	242	266	273
165	168	173	185	194	196
175	155	157	158	158	157
180	154	154	154	154	154

#### ZONAL LUMENS

Zone	Lumens
0	
0-10	112
10-20	335
20-30	551
30-40	751
40-50	647
50-60	339
60-70	190
70-80	110
80-90	38
90	
90-100	69
100-110	299
110-120	455
120-130	444
130-140	331
140-150	206
150-160	112
160-170	53
170-180	15
180	

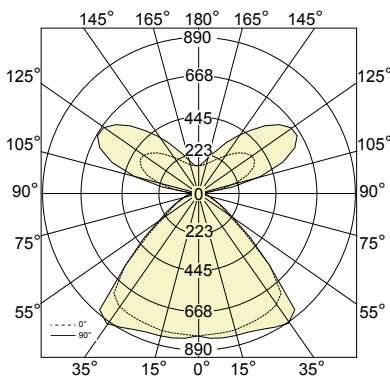
#### LUMINANCE DATA (cd/m<sup>2</sup>)

Vertical Angle	Horizontal Angles		
	0	45	90
45	12106	12034	11986
55	5899	6636	6518
65	4323	4443	4683
75	4183	4053	4249
85	3882	4076	3882

#### VL LENS (VL)

SL2LLED-B3-SL2-500-500-80-35-VL  
500lm/ft up / 500lm/ft down

#### PHOTOMETRIC CURVE



**Lumen/ft up: 496 lm/ft**  
**Lumen/ft down: 525 lm/ft**  
**Total Lumens: 4084 lm (for 4ft)**  
**Input Watts: 47 W**  
**Efficacy: 87 lm/W**

CRI:80 shown (for CRI:90 use 0.8 multiplier on watts and efficacy)  
IES FILE: SL2LLED-B3-SL2-500-500-80-35-VL-4-4-W-120-D-1.ies

TESTED ACCORDING TO IES LM-79-2008

#### CANDELA DISTRIBUTION

Vertical Angle	Horizontal Angles				
	0	22.5	45	67.5	90
0	801	801	801	801	801
5	796	800	804	809	816
15	795	801	812	820	828
25	783	791	814	834	844
35	770	793	830	866	890
45	577	568	573	583	571
55	228	250	257	252	252
65	123	131	127	127	133
75	73	73	71	68	74
85	23	21	24	24	23
90	0	0	0	0	0
95	45	48	49	43	40
105	224	234	283	341	367
115	349	375	460	562	605
125	370	406	496	599	642
135	320	353	428	505	535
145	252	275	328	374	391
155	199	212	242	266	273
165	168	173	185	194	196
175	155	157	158	158	157
180	154	154	154	154	154

#### ZONAL LUMENS

Zone	Lumens
0	
0-10	77
10-20	230
20-30	377
30-40	514
40-50	443
50-60	232
60-70	130
70-80	75
80-90	26
90	
90-100	69
100-110	299
110-120	455
120-130	444
130-140	331
140-150	206
150-160	112
160-170	53
170-180	15
180	

#### LUMINANCE DATA (cd/m<sup>2</sup>)

Vertical Angle	Horizontal Angles		
	0	45	90
45	8289	8240	8207
55	4039	4544	4463
65	2960	3042	3207
75	2864	2775	2909
85	2658	2791	2658

**i** All IES files are available for download at: [www.axislighting.com](http://www.axislighting.com)

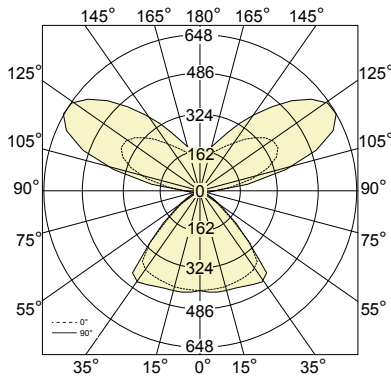


### ● PHOTOMETRIC DATA

#### VL LENS (VL)

SL2LLED-B3-SL2-500-250-80-35-VL  
500lm/ft up / 250lm/ft down

#### PHOTOMETRIC CURVE



**Lumen/ft up: 496 lm/ft**  
**Lumen/ft down: 264 lm/ft**  
**Total Lumens: 3040 lm (for 4ft)**  
**Input Watts: 34 W**  
**Efficacy: 89 lm/W**

CRI:80 shown (for CRI:90 use 0.8 multiplier on watts and efficacy)  
IES FILE: SL2LLED-B3-SL2-500-250-80-35-VL-4-4-W-120-D-1.ies

TESTED ACCORDING TO IES LM-79-2008

#### CANDELA DISTRIBUTION

Vertical Angle	Horizontal Angles				
	0	22.5	45	67.5	90
0	403	403	403	403	403
5	400	402	404	407	410
15	399	403	408	412	416
25	394	398	409	419	424
35	387	399	417	435	448
45	290	285	288	293	287
55	115	125	129	127	127
65	62	66	64	64	67
75	37	37	36	34	37
85	11	10	12	12	11
90	0	0	0	0	0
95	45	48	49	43	40
105	224	234	283	341	367
115	349	375	460	562	605
125	370	406	496	599	642
135	320	353	428	505	535
145	252	275	328	374	391
155	199	212	242	266	273
165	168	173	185	194	196
175	155	157	158	158	157
180	154	154	154	154	154

#### ZONAL LUMENS

Zone	Lumens
0	
0-10	39
10-20	115
20-30	190
30-40	258
40-50	223
50-60	117
60-70	65
70-80	38
80-90	13
90	
90-100	69
100-110	299
110-120	455
120-130	444
130-140	331
140-150	206
150-160	112
160-170	53
170-180	15
180	

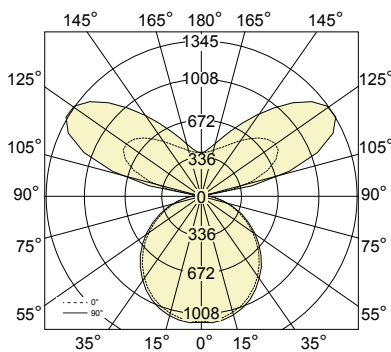
#### LUMINANCE DATA (cd/m²)

Vertical Angle	Horizontal Angles		
	0	45	90
45	4166	4141	4125
55	2030	2284	2243
65	1488	1529	1612
75	1440	1395	1462
85	1336	1403	1336

#### SMOOTH LENS (SM)

SL2LLED-B3-SL2-1000-750-80-35-SM  
1000lm/ft up / 750lm/ft down

#### PHOTOMETRIC CURVE



**Lumen/ft up: 1039 lm/ft**  
**Lumen/ft down: 772 lm/ft**  
**Total Lumens: 7244 lm (for 4ft)**  
**Input Watts: 78 W**  
**Efficacy: 93 lm/W**

CRI:80 shown (for CRI:90 use 0.8 multiplier on watts and efficacy)  
IES FILE: SL2LLED-B3-SL2-1000-750-80-35-SM-4-4-W-120-D-1.ies

TESTED ACCORDING TO IES LM-79-2008

#### CANDELA DISTRIBUTION

Vertical Angle	Horizontal Angles				
	0	22.5	45	67.5	90
0	1101	1101	1101	1101	1101
5	1089	1094	1091	1104	1107
15	1052	1059	1061	1071	1074
25	974	981	986	999	1001
35	856	862	869	879	881
45	708	716	723	736	738
55	539	548	556	568	569
65	363	370	378	386	388
75	188	195	200	206	206
85	35	38	38	40	38
90	0	0	0	0	0
95	97	104	111	104	96
105	458	483	572	713	792
115	718	763	922	1143	1263
125	781	835	1004	1224	1333
135	695	745	883	1049	1125
145	564	599	695	796	840
155	458	478	531	585	606
165	396	401	424	444	453
175	367	369	371	375	374
180	365	365	365	365	365

#### ZONAL LUMENS

Zone	Lumens
0	
0-10	104
10-20	300
20-30	455
30-40	544
40-50	558
50-60	497
60-70	374
70-80	212
80-90	52
90	
90-100	151
100-110	621
110-120	928
120-130	913
130-140	693
140-150	442
150-160	249
160-170	122
170-180	36
180	

#### LUMINANCE DATA (cd/m²)

Vertical Angle	Horizontal Angles		
	0	45	90
45	9805	10012	10220
55	9215	9499	9727
65	8415	8762	8994
75	7122	7563	7816
85	3931	4305	4305

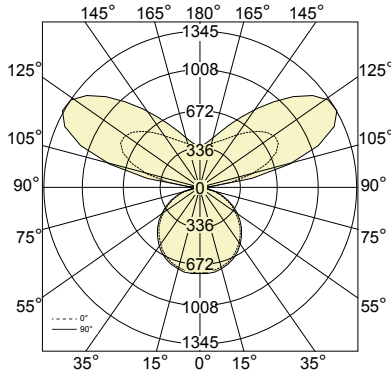
**i** All IES files are available for download at: [www.axislighting.com](http://www.axislighting.com)

### ● PHOTOMETRIC DATA

#### SMOOTH LENS (SM)

SL2LLED-B3-SL2-1000-500-80-35-SM  
1000lm/ft up / 500lm/ft down

#### PHOTOMETRIC CURVE



**Lumen/ft up: 1039 lm/ft**  
**Lumen/ft down: 529 lm/ft**  
**Total Lumens: 6271 lm (for 4ft)**  
**Input Watts: 66 W**  
**Efficacy: 95 lm/W**

CRI:80 shown (for CRI:90 use 0.8 multiplier on watts and efficacy)

IES FILE: SL2LLED-B3-SL2-1000-500-80-35-SM-4-4-W-120-D-1.ies

TESTED ACCORDING TO IES LM-79-2008

#### CANDELA DISTRIBUTION

Vertical Angle	Horizontal Angles				
	0	22.5	45	67.5	90
0	754	754	754	754	754
5	746	749	747	756	758
15	720	725	726	733	735
25	667	671	675	684	685
35	586	591	595	602	603
45	485	490	495	504	505
55	369	375	381	389	390
65	249	253	259	264	266
75	129	133	137	141	141
85	24	26	26	27	26
90	0	0	0	0	0
95	97	104	111	104	96
105	458	483	572	713	792
115	718	763	922	1143	1263
125	781	835	1004	1224	1333
135	695	745	883	1049	1125
145	564	599	695	796	840
155	458	478	531	585	606
165	396	401	424	444	453
175	367	369	371	375	374
180	365	365	365	365	365

#### ZONAL LUMENS

Zone	Lumens
0	
0-10	71
10-20	205
20-30	311
30-40	372
40-50	382
50-60	341
60-70	256
70-80	145
80-90	36
90	
90-100	151
100-110	621
110-120	928
120-130	913
130-140	693
140-150	442
150-160	249
160-170	122
170-180	36
180	

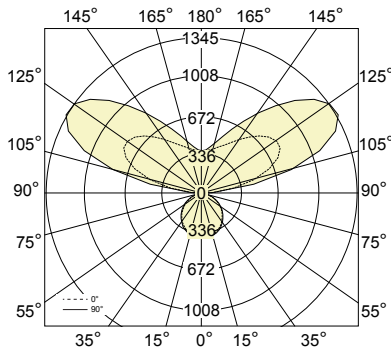
#### LUMINANCE DATA (cd/m²)

Vertical Angle	Horizontal Angles		
	0	45	90
45	6713	6855	6997
55	6309	6504	6660
65	5761	5999	6158
75	4876	5179	5351
85	2691	2948	2948

#### SMOOTH LENS (SM)

SL2LLED-B3-SL2-1000-250-80-35-SM  
1000lm/ft up / 250lm/ft down

#### PHOTOMETRIC CURVE



**Lumen/ft up: 1039 lm/ft**  
**Lumen/ft down: 266 lm/ft**  
**Total Lumens: 5219 lm (for 4ft)**  
**Input Watts: 54 W**  
**Efficacy: 97 lm/W**

CRI:80 shown (for CRI:90 use 0.8 multiplier on watts and efficacy)

IES FILE: SL2LLED-B3-SL2-1000-250-80-35-SM-4-4-W-120-D-1.ies

TESTED ACCORDING TO IES LM-79-2008

#### CANDELA DISTRIBUTION

Vertical Angle	Horizontal Angles				
	0	22.5	45	67.5	90
0	379	379	379	379	379
5	375	376	375	380	381
15	362	364	365	368	370
25	335	337	339	344	344
35	295	297	299	303	303
45	244	246	249	253	254
55	186	189	191	195	196
65	125	127	130	133	134
75	65	67	69	71	71
85	12	13	13	14	13
90	0	0	0	0	0
95	97	104	111	104	96
105	458	483	572	713	792
115	718	763	922	1143	1263
125	781	835	1004	1224	1333
135	695	745	883	1049	1125
145	564	599	695	796	840
155	458	478	531	585	606
165	396	401	424	444	453
175	367	369	371	375	374
180	365	365	365	365	365

#### ZONAL LUMENS

Zone	Lumens
0	
0-10	36
10-20	103
20-30	157
30-40	187
40-50	192
50-60	171
60-70	129
70-80	73
80-90	18
90	
90-100	151
100-110	621
110-120	928
120-130	913
130-140	693
140-150	442
150-160	249
160-170	122
170-180	36
180	

#### LUMINANCE DATA (cd/m²)

Vertical Angle	Horizontal Angles		
	0	45	90
45	3374	3446	3517
55	3171	3269	3347
65	2896	3015	3095
75	2451	2603	2690
85	1353	1482	1482

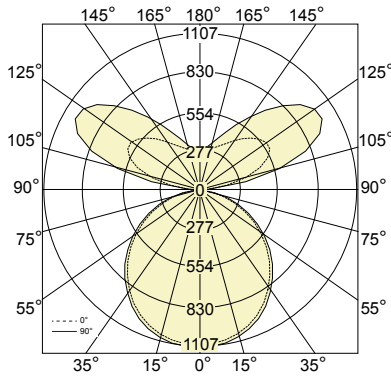
**i** All IES files are available for download at: [www.axislighting.com](http://www.axislighting.com)

### ● PHOTOMETRIC DATA

#### SMOOTH LENS (SM)

SL2LLED-B3-SL2-750-750-80-35-SM  
750lm/ft up / 750lm/ft down

#### PHOTOMETRIC CURVE



**Lumen/ft up: 778 lm/ft**  
**Lumen/ft down: 772 lm/ft**  
**Total Lumens: 6201 lm (for 4ft)**  
**Input Watts: 68 W**  
**Efficacy: 91 lm/W**

CRI:80 shown (for CRI:90 use 0.8 multiplier on watts and efficacy)  
IES FILE: SL2LLED-B3-SL2-750-750-80-35-SM-4-4-W-120-D-1.ies

TESTED ACCORDING TO IES LM-79-2008

#### CANDELA DISTRIBUTION

Vertical Angle	Horizontal Angles				
	0	22.5	45	67.5	90
0	1101	1101	1101	1101	1101
5	1089	1094	1091	1104	1107
15	1052	1059	1061	1071	1074
25	974	981	986	999	1001
35	856	862	869	879	881
45	708	716	723	736	738
55	539	548	556	568	569
65	363	370	378	386	388
75	188	195	200	206	206
85	35	38	38	40	38
90	0	0	0	0	0
95	73	78	83	78	72
105	344	362	429	534	593
115	538	572	691	857	946
125	585	626	753	917	999
135	521	558	662	786	843
145	423	449	521	596	630
155	344	358	398	438	454
165	297	301	318	333	339
175	275	277	278	281	280
180	274	274	274	274	274

#### ZONAL LUMENS

Zone	Lumens
0	
0-10	104
10-20	300
20-30	455
30-40	544
40-50	558
50-60	497
60-70	374
70-80	212
80-90	52
90	
90-100	113
100-110	465
110-120	696
120-130	684
130-140	519
140-150	331
150-160	187
160-170	91
170-180	27
180	

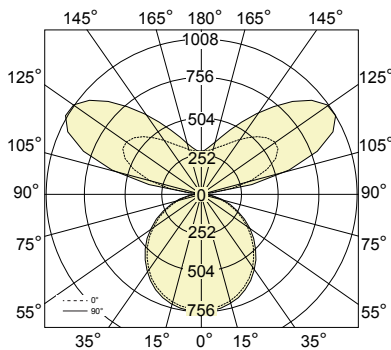
#### LUMINANCE DATA (cd/m²)

Vertical Angle	Horizontal Angles		
	0	45	90
45	9805	10012	10220
55	9215	9499	9727
65	8415	8762	8994
75	7122	7563	7816
85	3931	4305	4305

#### SMOOTH LENS (SM)

SL2LLED-B3-SL2-750-500-80-35-SM  
750lm/ft up / 500lm/ft down

#### PHOTOMETRIC CURVE



**Lumen/ft up: 778 lm/ft**  
**Lumen/ft down: 529 lm/ft**  
**Total Lumens: 5228 lm (for 4ft)**  
**Input Watts: 56 W**  
**Efficacy: 93 lm/W**

CRI:80 shown (for CRI:90 use 0.8 multiplier on watts and efficacy)  
IES FILE: SL2LLED-B3-SL2-750-500-80-35-SM-4-4-W-120-D-1.ies

TESTED ACCORDING TO IES LM-79-2008

#### CANDELA DISTRIBUTION

Vertical Angle	Horizontal Angles				
	0	22.5	45	67.5	90
0	754	754	754	754	754
5	746	749	747	756	758
15	720	725	726	733	735
25	667	671	675	684	685
35	586	591	595	602	603
45	485	490	495	504	505
55	369	375	381	389	390
65	249	253	259	264	266
75	129	133	137	141	141
85	24	26	26	27	26
90	0	0	0	0	0
95	73	78	83	78	72
105	344	362	429	534	593
115	538	572	691	857	946
125	585	626	753	917	999
135	521	558	662	786	843
145	423	449	521	596	630
155	344	358	398	438	454
165	297	301	318	333	339
175	275	277	278	281	280
180	274	274	274	274	274

#### ZONAL LUMENS

Zone	Lumens
0	
0-10	71
10-20	205
20-30	311
30-40	372
40-50	382
50-60	341
60-70	256
70-80	145
80-90	36
90	
90-100	113
100-110	465
110-120	696
120-130	684
130-140	519
140-150	331
150-160	187
160-170	91
170-180	27
180	

#### LUMINANCE DATA (cd/m²)

Vertical Angle	Horizontal Angles		
	0	45	90
45	6713	6855	6997
55	6309	6504	6660
65	5761	5999	6158
75	4876	5179	5351
85	2691	2948	2948

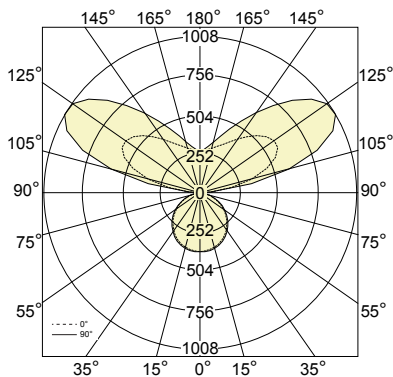
**i** All IES files are available for download at: [www.axislighting.com](http://www.axislighting.com)

### ● PHOTOMETRIC DATA

#### SMOOTH LENS (SM)

SL2LLED-B3-SL2-750-250-80-35-SM  
750lm/ft up / 250lm/ft down

#### PHOTOMETRIC CURVE



**Lumen/ft up: 778 lm/ft**  
**Lumen/ft down: 266 lm/ft**  
**Total Lumens: 4176 lm (for 4ft)**  
**Input Watts: 43 W**  
**Efficacy: 96 lm/W**

CRI:80 shown (for CRI:90 use 0.8 multiplier on watts and efficacy)  
IES FILE: SL2LLED-B3-SL2-750-250-80-35-SM-4-4-W-120-D-1.ies

TESTED ACCORDING TO IES LM-79-2008

#### CANDELA DISTRIBUTION

Vertical Angle	Horizontal Angles				
	0	22.5	45	67.5	90
0	379	379	379	379	379
5	375	376	375	380	381
15	362	364	365	368	370
25	335	337	339	344	344
35	295	297	299	303	303
45	244	246	249	253	254
55	186	189	191	195	196
65	125	127	130	133	134
75	65	67	69	71	71
85	12	13	13	14	13
90	0	0	0	0	0
95	73	78	83	78	72
105	344	362	429	534	593
115	538	572	691	857	946
125	585	626	753	917	999
135	521	558	662	786	843
145	423	449	521	596	630
155	344	358	398	438	454
165	297	301	318	333	339
175	275	277	278	281	280
180	274	274	274	274	274

#### ZONAL LUMENS

Zone	Lumens
0	
0-10	36
10-20	103
20-30	157
30-40	187
40-50	192
50-60	171
60-70	129
70-80	73
80-90	18
90	
90-100	113
100-110	465
110-120	696
120-130	684
130-140	519
140-150	331
150-160	187
160-170	91
170-180	27
180	

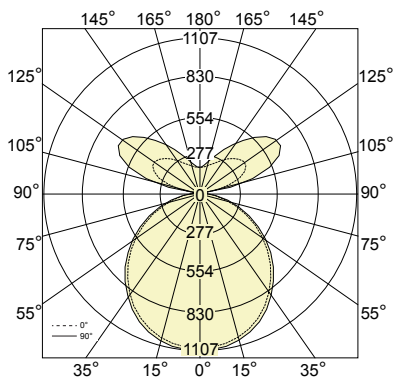
#### LUMINANCE DATA (cd/m²)

Vertical Angle	Horizontal Angles		
	0	45	90
45	3374	3446	3517
55	3171	3269	3347
65	2896	3015	3095
75	2451	2603	2690
85	1353	1482	1482

#### SMOOTH LENS (SM)

SL2LLED-B3-SL2-500-750-80-35-SM  
500lm/ft up / 750lm/ft down

#### PHOTOMETRIC CURVE



**Lumen/ft up: 509 lm/ft**  
**Lumen/ft down: 772 lm/ft**  
**Total Lumens: 5125 lm (for 4ft)**  
**Input Watts: 58 W**  
**Efficacy: 88 lm/W**

CRI:80 shown (for CRI:90 use 0.8 multiplier on watts and efficacy)  
IES FILE: SL2LLED-B3-SL2-500-750-80-35-SM-4-4-W-120-D-1.ies

TESTED ACCORDING TO IES LM-79-2008

#### CANDELA DISTRIBUTION

Vertical Angle	Horizontal Angles				
	0	22.5	45	67.5	90
0	1101	1101	1101	1101	1101
5	1089	1094	1091	1104	1107
15	1052	1059	1061	1071	1074
25	974	981	986	999	1001
35	856	862	869	879	881
45	708	716	723	736	738
55	539	548	556	568	569
65	363	370	378	386	388
75	188	195	200	206	206
85	35	38	38	40	38
90	0	0	0	0	0
95	48	51	54	51	47
105	225	237	281	349	388
115	352	374	452	560	619
125	383	409	492	600	654
135	341	365	433	514	552
145	276	294	341	390	412
155	225	234	260	287	297
165	194	197	208	218	222
175	180	181	182	184	183
180	179	179	179	179	179

#### ZONAL LUMENS

Zone	Lumens
0	
0-10	104
10-20	300
20-30	455
30-40	544
40-50	558
50-60	497
60-70	374
70-80	212
80-90	52
90	
90-100	74
100-110	304
110-120	455
120-130	447
130-140	340
140-150	217
150-160	122
160-170	60
170-180	18
180	

#### LUMINANCE DATA (cd/m²)

Vertical Angle	Horizontal Angles		
	0	45	90
45	9805	10012	10220
55	9215	9499	9727
65	8415	8762	8994
75	7122	7563	7816
85	3931	4305	4305

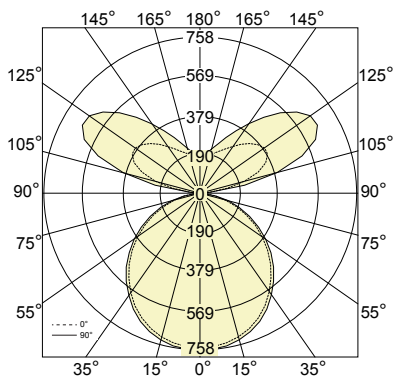
**i** All IES files are available for download at: [www.axislighting.com](http://www.axislighting.com)

### ● PHOTOMETRIC DATA

#### SMOOTH LENS (SM)

SL2LLED-B3-SL2-500-500-80-35-SM  
500lm/ft up / 500lm/ft down

#### PHOTOMETRIC CURVE



**Lumen/ft up: 509 lm/ft**  
**Lumen/ft down: 529 lm/ft**  
**Total Lumens: 4152 lm (for 4ft)**  
**Input Watts: 46 W**  
**Efficacy: 90 lm/W**

CRI:80 shown (for CRI:90 use 0.8 multiplier on watts and efficacy)  
IES FILE: SL2LLED-B3-SL2-500-500-80-35-SM-4-4-W-120-D-1.ies

TESTED ACCORDING TO IES LM-79-2008

#### CANDELA DISTRIBUTION

Vertical Angle	Horizontal Angles				
	0	22.5	45	67.5	90
0	754	754	754	754	754
5	746	749	747	756	758
15	720	725	726	733	735
25	667	671	675	684	685
35	586	591	595	602	603
45	485	490	495	504	505
55	369	375	381	389	390
65	249	253	259	264	266
75	129	133	137	141	141
85	24	26	26	27	26
90	0	0	0	0	0
95	48	51	54	51	47
105	225	237	281	349	388
115	352	374	452	560	619
125	383	409	492	600	654
135	341	365	433	514	552
145	276	294	341	390	412
155	225	234	260	287	297
165	194	197	208	218	222
175	180	181	182	184	183
180	179	179	179	179	179

#### ZONAL LUMENS

Zone	Lumens
0	
0-10	71
10-20	205
20-30	311
30-40	372
40-50	382
50-60	341
60-70	256
70-80	145
80-90	36
90	
90-100	74
100-110	304
110-120	455
120-130	447
130-140	340
140-150	217
150-160	122
160-170	60
170-180	18
180	

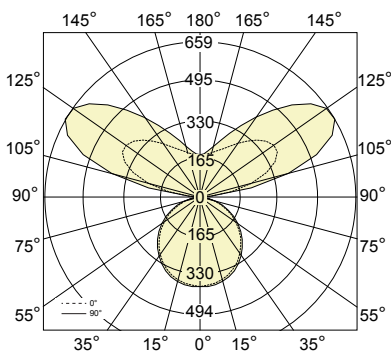
#### LUMINANCE DATA (cd/m²)

Vertical Angle	Horizontal Angles		
	0	45	90
45	6713	6855	6997
55	6309	6504	6660
65	5761	5999	6158
75	4876	5179	5351
85	2691	2948	2948

#### SMOOTH LENS (SM)

SL2LLED-B3-SL2-500-250-80-35-SM  
500lm/ft up / 250lm/ft down

#### PHOTOMETRIC CURVE



**Lumen/ft up: 509 lm/ft**  
**Lumen/ft down: 266 lm/ft**  
**Total Lumens: 3100 lm (for 4ft)**  
**Input Watts: 33 W**  
**Efficacy: 94 lm/W**

CRI:80 shown (for CRI:90 use 0.8 multiplier on watts and efficacy)  
IES FILE: SL2LLED-B3-SL2-500-250-80-35-SM-4-4-W-120-D-1.ies

TESTED ACCORDING TO IES LM-79-2008

#### CANDELA DISTRIBUTION

Vertical Angle	Horizontal Angles				
	0	22.5	45	67.5	90
0	379	379	379	379	379
5	375	376	375	380	381
15	362	364	365	368	370
25	335	337	339	344	344
35	295	297	299	303	303
45	244	246	249	253	254
55	186	189	191	195	196
65	125	127	130	133	134
75	65	67	69	71	71
85	12	13	13	14	13
90	0	0	0	0	0
95	48	51	54	51	47
105	225	237	281	349	388
115	352	374	452	560	619
125	383	409	492	600	654
135	341	365	433	514	552
145	276	294	341	390	412
155	225	234	260	287	297
165	194	197	208	218	222
175	180	181	182	184	183
180	179	179	179	179	179

#### ZONAL LUMENS

Zone	Lumens
0	
0-10	36
10-20	103
20-30	157
30-40	187
40-50	192
50-60	171
60-70	129
70-80	73
80-90	18
90	
90-100	74
100-110	304
110-120	455
120-130	447
130-140	340
140-150	217
150-160	122
160-170	60
170-180	18
180	

#### LUMINANCE DATA (cd/m²)

Vertical Angle	Horizontal Angles		
	0	45	90
45	3374	3446	3517
55	3171	3269	3347
65	2896	3015	3095
75	2451	2603	2690
85	1353	1482	1482

**i** All IES files are available for download at: [www.axislighting.com](http://www.axislighting.com)