

SLIM 2xSurroundLite™

DUAL CONTROL PENDANT HI-OUTPUT



Shown with VL optic

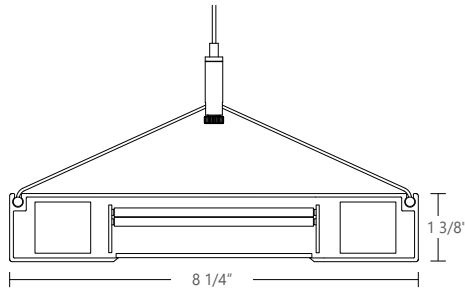


Shown with SM lens

Project _____

Type _____

Notes _____



PERFORMANCE PER LINEAR FOOT AT 3500K (VL)

NOMINAL LUMEN OUTPUT		TOTAL lm/ft	INPUT WATTS	EFFICACY
UP	DOWN			
1500 lm/ft	750 lm/ft	2250 lm/ft	102 W	90 lm/W
1500 lm/ft	1000 lm/ft	2500 lm/ft	114 W	89 lm/W
1500 lm/ft	1250 lm/ft	2750 lm/ft	127 W	88 lm/W
1250 lm/ft	750 lm/ft	2000 lm/ft	92 W	89 lm/W
1000 lm/ft	750 lm/ft	1750 lm/ft	81 W	88 lm/W

*Refer To Photometric Data Section For Exact Values



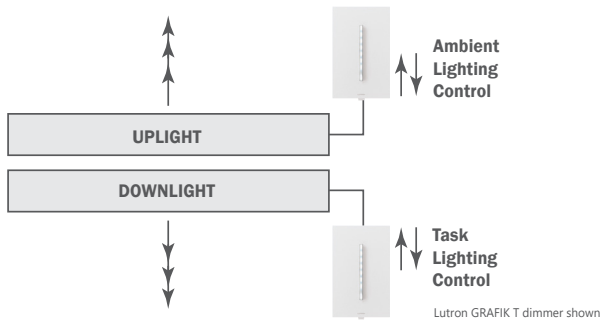
Ordering Guide

SL2HLED	2xSL			
PRODUCT ID	LIGHT ENGINE	NOM. LUMENS/FT UP	NOM. LUMENS/FT DOWN	CRI
SL2HLED Pendant LED HI-output	2xSL 2xSurroundlite	1000 1000 lm/ft - Minimum 1500 1500 lm/ft - Maximum	750 750 lm/ft - Minimum 1250 1250 lm/ft - Maximum	80 80 CRI 90 90 CRI
Applies to both UP & DOWN.		Outputs between listed min and max are available. Consult factory for outputs outside of the listed range.		Applies to both UP & DOWN.

COLOR TEMP.	SHIELDING DOWN	FIXTURE LENGTH	FINISH	VOLTAGE	DRIVER
30 3000 K	VL VL optic	4 4'	AP aluminum paint	120 120 V	DP dimming (0-10V) 1%
35 3500 K	SM smooth lens	8 8'	W white	277 277 V	LT Lutron ⁽¹⁾
40 4000 K		12 12'	BLK black	347 347 V	BI bi-level dimming
		S# system run	C custom	UNV universal	O other ⁽²⁾
Applies to both UP & DOWN.				Applies to both UP & DOWN.	Applies to both UP & DOWN. ⁽¹⁾ Specify system ⁽²⁾ Please consult factory; see page 2

CIRCUITS	MOUNTING/SUSPENSION	BATTERY DOWN	OTHER (OPTIONAL)	IC CONTROLS	CUSTOM
1 1 circuit 2 2 circuits +E(#) emergency section +NL(#) night light section +GTD(#) generator transfer device	CA# drywall+cable length (36" std.) CT9# TB/TG 9/16+cable length (36" std.) CT15# TB/TG 15/16+cable length (36" std.) CTS# ST+cable length (36" std.) SA# drywall+stem length >48" (18" std.) +SM seismic option	B# battery pack (integral)	F fuse	DS# daylight sensor OS# occupancy sensor DOS# daylight & occupancy sensor EN# Enlighted integral ENR# Enlighted remote WC# wireless control dimming	C custom
	See Ceiling Mount Guide for more details	For minimum 36" long fixture only Not available with 347V Please consult factory	Requires 120V or 277V	Applies to both UP & DOWN. See integrated controls guide for more details.	Please specify

2xSURROUNDLITE TECHNOLOGY

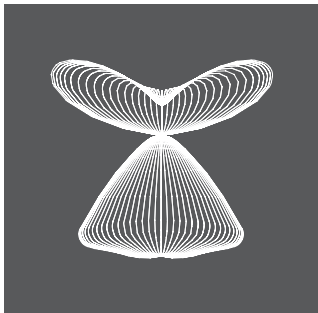


SLIM 2xSurroundLite technology features two separately controlled lightguides – one for ambient lighting (uplight), the other for task lighting (downlight).

Each of the two integral drivers can be controlled through standard 0-10V dimming, as well as integrated daylight and occupancy sensors for added energy savings.

Each lightguide provides all the quality lighting benefits of SurroundLite's spherical 3D batwing light distribution, including non-Lambertian uniform planes of light similar to natural light and light distribution both along and across the luminaire, and at the extremities.

3D Polar Curve (2xSL 1500 up/1250 down)



FEATURES	BENEFITS
SurroundLite Technology	<ul style="list-style-type: none"> • Wide, 3D spherical distribution throw along, across and out from ends of luminaire. • Optimized component integration (driver, thermal, optical, etc.) delivering higher efficacy and longer life.
SurroundLite (UP)	<ul style="list-style-type: none"> • Balanced, uniform LED lighting on ceiling similar to daylight. • Effective lighting of horizontal/vertical surfaces, reducing cave effect.
SurroundLite (DOWN)	<ul style="list-style-type: none"> • Shielding options for downlight control and glare mitigation. • Soft glow when downlight component off, improving visual comfort.
Separate Uplight/ Downlight Control	<ul style="list-style-type: none"> • Adaptability for mixed-use environments. • Dimming according to individual preferences. • Added energy savings through integrated sensors.

2xSURROUNDLITE AT A GLANCE



Total Lighting Control

Dual drivers provide three areas of control:

- **Light Consumption** (maximum lumen output / wattage)
- **Light Allocation** (ambient and task)
- **Light Intensity** (dimming control).

Superior Lighting Flexibility

Separate ambient and task lighting control allows designers to create layers of light in line with their vision for the lit environment. Also, end users can better accommodate mixed-use spaces by modulating downlight intensities in accordance with the different task lighting needs of individuals and departments.

Factory-set Lumen Options

2xSurroundLite lets you choose from multiple preselected up/down lumen output combinations to meet your maximum allowable energy requirements and target light levels:

- 9 HI-output models (see pages 7-11)
- 9 LO-output models

Quality Lighting Benefits

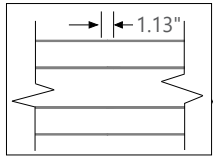
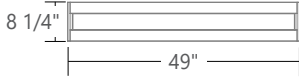
2xSurroundLite features the same quality lighting advantages as SurroundLite, including glare mitigation, visual comfort, improved facial recognition, lighting effectiveness (up to 97 lm/W) and absence of hot spots.

Applications in Every Building

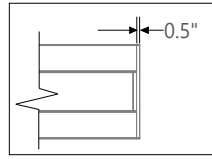
2xSurroundLite luminaires are best suited for private offices, conference rooms and open areas where task lighting varies by department and occupant preference. They allow you to fine tune lighting intensities according to task, time of day, daylight contribution, personal preference and environment.

● LENGTHS

SLIM 2xSurroundLite 4ft (4)

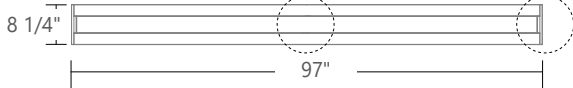


For all fixture lengths

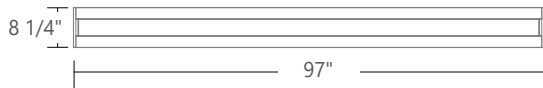


For all fixture lengths

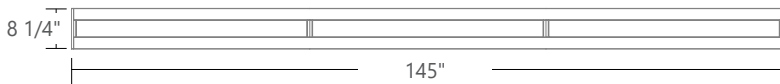
SLIM 2xSurroundLite 8ft (with 4' shielding)



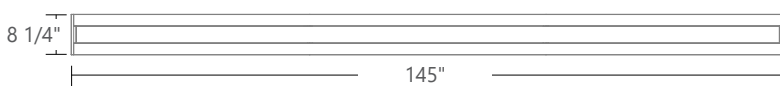
SLIM 2xSurroundLite 8ft Continuous (with 8' shielding)



SLIM 2xSurroundLite 12ft (with 4' shielding)



SLIM 2xSurroundLite 12ft (with 12' shielding)



● SYSTEMS (S#)

Runs of SLIM 2xSurroundLite that are greater than 12ft in length are designated as systems (S#). This means that the run is comprised of a combination 4ft and/or 8ft sections to be assembled on site using our joining system. For more information on systems and joining, please refer to the SLIM 2xSurroundLite installation sheets available at: www.axislighting.com under 'Downloads' tab.


● WEIGHT

SLIM 2xSL 4 ft 14 lbs / 6.4 kg
SLIM 2xSL 8 ft 28 lbs / 12.7 kg
SLIM 2xSL 12 ft 42 lbs / 19.1 kg

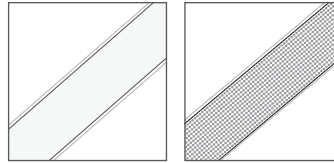
● FINISH

Aluminum paint, powder coated and custom finishes are also available.

● APPROVALS

Certified to UL and CSA standards 
 Suitable for damp locations.

● OPTICS



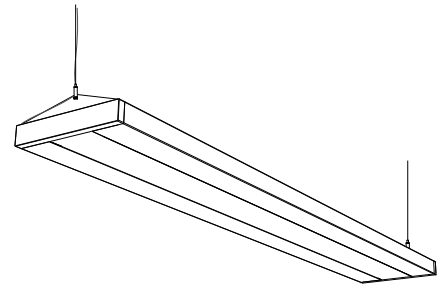
SM smooth lens

VL VL optic

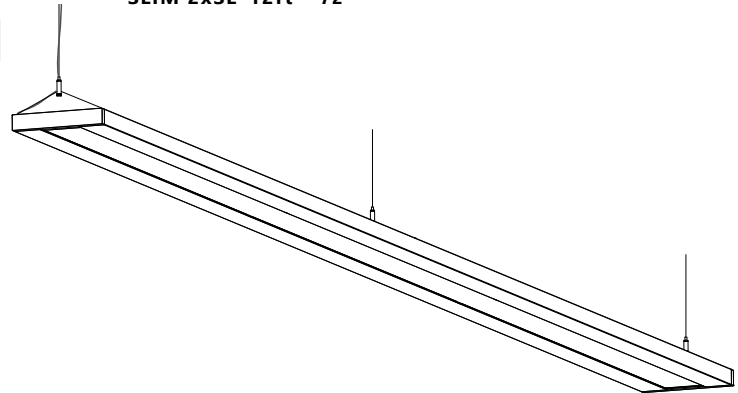
● SUSPENSION / MOUNTING SPACING

Distance Between Mounting Points:
SLIM 2xSL 4ft 48"
SLIM 2xSL 8ft 96"

Standard Suspension Length (Adjustable):
CABLE: 36"
STEM: 18" (For 8' length maximum)

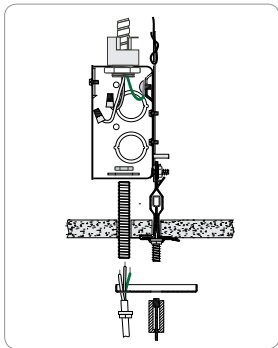


Distance Between Mounting Points:
SLIM 2xSL 12ft 72"



i Row configuration and mounting spacing file is available at: www.axislighting.com under 'Downloads' tab.

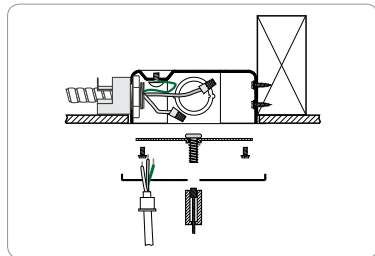
● MOUNTING OPTIONS



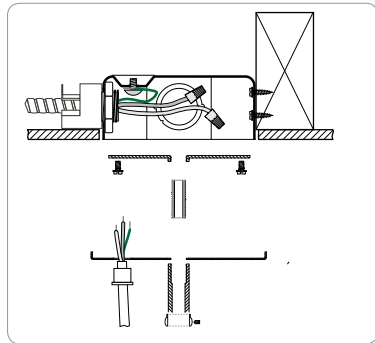
CT TILE CEILING - ON GRID

Mounting options are also available for slope ceiling and seismic bracing.

i Installation sheets for all mounting options are available at: www.axislighting.com under 'Downloads' tab.



CA DRYWALL CEILING

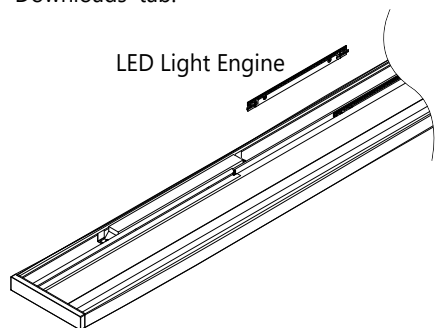


SA STEM MOUNT IN DRYWALL CEILING

● LED UPGRADE / REPLACEMENT

All LED light engines used are field replaceable and upgradable to ensure the lighting system will last for years. Future-proof design comes with easy access to LED light engines from above using quick connectors (included in luminaire) and a screwdriver.

i For more information on LED light engine upgrade and replacement, please refer to the SLIM LED Light Engine Replacement sheet available at: www.axislighting.com under 'Downloads' tab.



LED Light Engine

● LED SYSTEM

CRI	Minimum 80, 85 or 90 color rendering index
CCT	Choice of 3000K, 3500K and 4000K color temperature with a great color consistency (within 3-step MacAdam ellipse). Both within fixture and fixture to fixture.
LED life	Minimum 50,000h with 85% of lumen maintenance in 25°C ambient temperature, in compliance with IES LM-80 testing measurements.
Thermal Management	Aluminum housing acting as the heat sink to maximize life.
Environment	Dry and damp rated in operating ambient temperatures of 0-40°C (32-104F)

● CONSTRUCTION

Housing	Extruded aluminum (0.075" nominal)
End Cap	Die cast aluminum (0.10" nominal)
Joiners	Die cast aluminum (0.10" nominal)
Interior Bracket	Die formed zintec (22 gauge)
Top Covers	Cold rolled sheet steel painted (24 gauge)
V_Loptic™	PMMA Precision formed microconical structure; 92 percent transmission that cuts off glare above 55 degrees
Smooth Lens	Uniform frosted acrylic lens
Hanger	adjustable slide mount
Suspension	Y shape aircraft cable or Ø 1/2" stem

● ELECTRICAL

Lutron driver*	LLDE1 - EcoSystem H-Series (1%) LDE5 - EcoSystem 5-Series (5%) LTE - Hi-Lume® A-series 2Wires Forward Phase (1%) *Consult factory
Other drivers	DALI - Digital Addressable Lighting Interface DMX - Digital Multiplex LV - line voltage - Advance Mark 10 Xitanium SR - For wireless sensor
Emergency	Integral emergency battery pack or emergency circuit optional.
Input Voltage	120V, 277V, 347V, UNV.

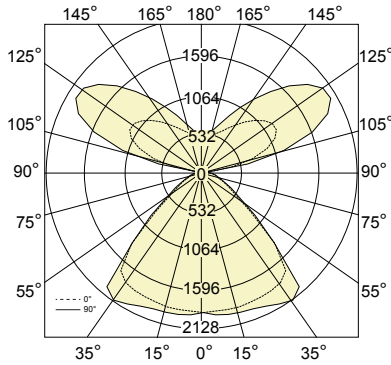
i Incorporating these components may have limitations or affect the length of the luminaire. Please contact factory for more details.

● PHOTOMETRIC DATA

VL LENS (VL)

SL2HLED-B3-SL2-1500-1250-80-35-VL
1500lm/ft up / 1250lm/ft down

PHOTOMETRIC CURVE



Lumen/ft up: 1537 lm/ft
Lumen/ft down: 1254 lm/ft
Total Lumens: 11163 lm (for 4ft)
Input Watts: 127 W
Efficacy: 88 lm/W

CRI:80 shown (for CRI:90 use 0.8 multiplier on watts and efficacy)
IES FILE: SL2HLED-B3-SL2-1500-1250-80-35-VL-4-4-W-120-D-1.ies

TESTED ACCORDING TO IES LM-79-2008

CANDELA DISTRIBUTION

Vertical Angle	Horizontal Angles				
	0	22.5	45	67.5	90
0	1902	1913	1921	1935	1951
5	1899	1916	1940	1959	1978
15	1872	1891	1946	1995	2017
25	1839	1897	1984	2071	2128
35	1379	1357	1371	1392	1365
45	545	597	613	602	602
55	294	313	302	302	319
65	174	174	169	164	177
75	55	49	57	57	55
85	0	0	0	0	0
90	139	148	152	133	124
95	694	723	875	1055	1137
105	1080	1160	1424	1740	1875
115	1147	1257	1535	1856	1989
125	991	1095	1327	1563	1656
135	780	852	1017	1158	1211
145	616	658	749	823	846
155	521	536	574	601	607
165	481	485	489	489	487
175	477	477	477	477	477
180	477	477	477	477	477

ZONAL LUMENS

Zone	Lumens
0	
0-10	184
10-20	549
20-30	902
30-40	1229
40-50	1059
50-60	555
60-70	311
70-80	180
80-90	61
90	
90-100	214
100-110	927
110-120	1408
120-130	1376
130-140	1026
140-150	637
150-160	348
160-170	164
170-180	47
180	

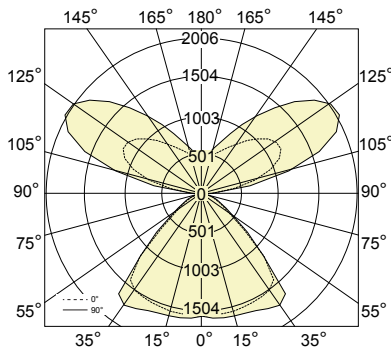
LUMINANCE DATA (cd/m²)

Vertical Angle	Horizontal Angles		
	0	45	90
45	19813	19695	19617
55	9654	10861	10668
65	7075	7272	7665
75	6846	6632	6953
85	6354	6671	6354

VL LENS (VL)

SL2HLED-B3-SL2-1500-1000-80-35-VL
1500lm/ft up / 1000lm/ft down

PHOTOMETRIC CURVE



Lumen/ft up: 1537 lm/ft
Lumen/ft down: 1011 lm/ft
Total Lumens: 10192 lm (for 4ft)
Input Watts: 114 W
Efficacy: 89 lm/W

CRI:80 shown (for CRI:90 use 0.8 multiplier on watts and efficacy)
IES FILE: SL2HLED-B3-SL2-1500-1000-80-35-VL-4-4-W-120-D-1.ies

TESTED ACCORDING TO IES LM-79-2008

CANDELA DISTRIBUTION

Vertical Angle	Horizontal Angles				
	0	22.5	45	67.5	90
0	1544	1544	1544	1544	1544
5	1534	1542	1549	1560	1573
15	1531	1544	1564	1580	1595
25	1509	1525	1569	1608	1626
35	1483	1529	1599	1670	1716
45	1112	1094	1105	1123	1101
55	439	481	494	486	486
65	237	253	244	244	257
75	141	141	136	132	143
85	44	40	46	46	44
90	0	0	0	0	0
95	139	148	152	133	124
105	694	723	875	1055	1137
115	1080	1160	1424	1740	1875
125	1147	1257	1535	1856	1989
135	991	1095	1327	1563	1656
145	780	852	1017	1158	1211
155	616	658	749	823	846
165	521	536	574	601	607
175	481	485	489	489	487
180	477	477	477	477	477

ZONAL LUMENS

Zone	Lumens
0	
0-10	148
10-20	443
20-30	727
30-40	991
40-50	854
50-60	447
60-70	251
70-80	145
80-90	50
90	
90-100	214
100-110	927
110-120	1408
120-130	1376
130-140	1026
140-150	637
150-160	348
160-170	164
170-180	47
180	

LUMINANCE DATA (cd/m²)

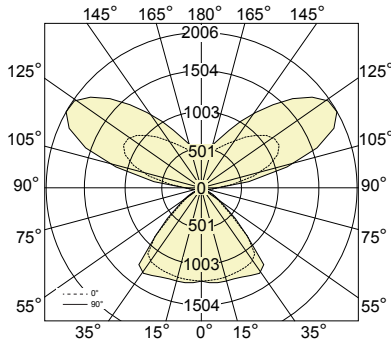
Vertical Angle	Horizontal Angles		
	0	45	90
45	15974	15879	15816
55	7784	8757	8601
65	5705	5863	6180
75	5520	5347	5606
85	5122	5379	5122

● PHOTOMETRIC DATA

VL LENS (VL)

SL2HLED-B3-SL2-1500-750-80-35-VL
1500lm/ft up / 750lm/ft down

PHOTOMETRIC CURVE



Lumen/ft up: 1537 lm/ft
Lumen/ft down: 766 lm/ft
Total Lumens: 9213 lm (for 4ft)
Input Watts: 102 W
Efficacy: 90 lm/W

CRI:80 shown (for CRI:90 use 0.8 multiplier on watts and efficacy)
IES FILE: SL2HLED-B3-SL2-1500-750-80-35-VL-4-4-W-120-D-1.ies

TESTED ACCORDING TO IES LM-79-2008

CANDELA DISTRIBUTION

Vertical Angle	Horizontal Angles				
	0	22.5	45	67.5	90
0	1170	1170	1170	1170	1170
5	1162	1169	1174	1182	1192
15	1161	1170	1185	1197	1209
25	1144	1156	1189	1219	1232
35	1124	1159	1212	1265	1300
45	842	829	837	851	834
55	333	365	375	368	368
65	180	191	185	185	195
75	107	107	103	100	108
85	33	30	35	35	33
90	0	0	0	0	0
95	139	148	152	133	124
105	694	723	875	1055	1137
115	1080	1160	1424	1740	1875
125	1147	1257	1535	1856	1989
135	991	1095	1327	1563	1656
145	780	852	1017	1158	1211
155	616	658	749	823	846
165	521	536	574	601	607
175	481	485	489	489	487
180	477	477	477	477	477

ZONAL LUMENS

Zone	Lumens
0	
0-10	112
10-20	335
20-30	551
30-40	751
40-50	647
50-60	339
60-70	190
70-80	110
80-90	38
90	
90-100	179
100-110	774
110-120	1176
120-130	1149
130-140	857
140-150	532
150-160	290
160-170	137
170-180	40
180	

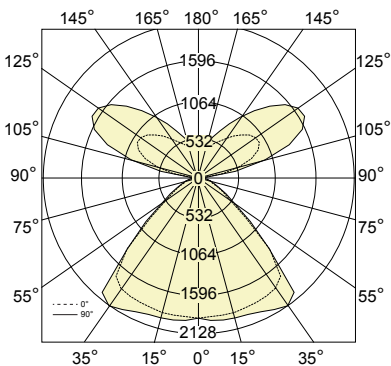
LUMINANCE DATA (cd/m²)

Vertical Angle	Horizontal Angles		
	0	45	90
45	12106	12034	11986
55	5899	6636	6518
65	4323	4443	4683
75	4183	4053	4249
85	3882	4076	3882

VL LENS (VL)

SL2HLED-B3-SL2-1250-1250-80-35-VL
1250lm/ft up / 1250lm/ft down

PHOTOMETRIC CURVE



Lumen/ft up: 1285 lm/ft
Lumen/ft down: 1254 lm/ft
Total Lumens: 10154 lm (for 4ft)
Input Watts: 116 W
Efficacy: 87 lm/W

CRI:80 shown (for CRI:90 use 0.8 multiplier on watts and efficacy)
IES FILE: SL2HLED-B3-SL2-1250-1250-80-35-VL-4-4-W-120-D-1.ies

TESTED ACCORDING TO IES LM-79-2008

CANDELA DISTRIBUTION

Vertical Angle	Horizontal Angles				
	0	22.5	45	67.5	90
0	1916	1916	1916	1916	1916
5	1902	1913	1921	1935	1951
15	1899	1916	1940	1959	1978
25	1872	1891	1946	1995	2017
35	1839	1897	1984	2071	2128
45	1379	1357	1371	1392	1365
55	545	597	613	602	602
65	294	313	302	302	319
75	174	174	169	164	177
85	55	49	57	57	55
90	0	0	0	0	0
95	116	123	127	111	104
105	580	604	731	881	950
115	902	969	1189	1454	1566
125	959	1050	1283	1551	1662
135	828	914	1108	1306	1383
145	652	712	849	967	1011
155	515	550	626	687	707
165	435	448	479	502	507
175	402	405	409	409	407
180	398	398	398	398	398

ZONAL LUMENS

Zone	Lumens
0	
0-10	184
10-20	549
20-30	902
30-40	1229
40-50	1059
50-60	555
60-70	311
70-80	180
80-90	61
90	
90-100	179
100-110	774
110-120	1176
120-130	1149
130-140	857
140-150	532
150-160	290
160-170	137
170-180	40
180	

LUMINANCE DATA (cd/m²)

Vertical Angle	Horizontal Angles		
	0	45	90
45	19813	19695	19617
55	9654	10861	10668
65	7075	7272	7665
75	6846	6632	6953
85	6354	6671	6354

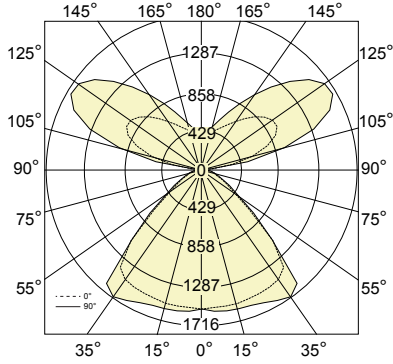
i All IES files are available for download at: www.axislighting.com

● PHOTOMETRIC DATA

VL LENS (VL)

SL2HLED-B3-SL2-1250-1000-80-35-VL
1250lm/ft up / 1000lm/ft down

PHOTOMETRIC CURVE



Lumen/ft up: 1285 lm/ft
Lumen/ft down: 1011 lm/ft
Total Lumens: 9182 lm (for 4ft)
Input Watts: 104 W
Efficacy: 88 lm/W

CRI:80 shown (for CRI:90 use 0.8 multiplier on watts and efficacy)

IES FILE: SL2HLED-B3-SL2-1250-1000-80-35-VL-4-4-W-120-D-1.ies

TESTED ACCORDING TO IES LM-79-2008

CANDELA DISTRIBUTION

Vertical Angle	Horizontal Angles				
	0	22.5	45	67.5	90
0	1544	1544	1544	1544	1544
5	1534	1542	1549	1560	1573
15	1531	1544	1564	1580	1595
25	1509	1525	1569	1608	1626
35	1483	1529	1599	1670	1716
45	1112	1094	1105	1123	1101
55	439	481	494	486	486
65	237	253	244	244	257
75	141	141	136	132	143
85	44	40	46	46	44
90	0	0	0	0	0
95	116	123	127	111	104
105	580	604	731	881	950
115	902	969	1189	1454	1566
125	959	1050	1283	1551	1662
135	828	914	1108	1306	1383
145	652	712	849	967	1011
155	515	550	626	687	707
165	435	448	479	502	507
175	402	405	409	409	407
180	398	398	398	398	398

ZONAL LUMENS

Zone	Lumens
0	
0-10	148
10-20	443
20-30	727
30-40	991
40-50	854
50-60	447
60-70	251
70-80	145
80-90	50
90	
90-100	179
100-110	774
110-120	1176
120-130	1149
130-140	857
140-150	532
150-160	290
160-170	137
170-180	40
180	

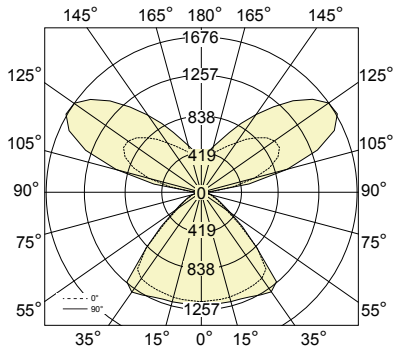
LUMINANCE DATA (cd/m²)

Vertical Angle	Horizontal Angles		
	0	45	90
45	15974	15879	15816
55	7784	8757	8601
65	5705	5863	6180
75	5520	5347	5606
85	5122	5379	5122

VL LENS (VL)

SL2HLED-B3-SL2-1250-750-80-35-VL
1250lm/ft up / 750lm/ft down

PHOTOMETRIC CURVE



Lumen/ft up: 1285 lm/ft
Lumen/ft down: 766 lm/ft
Total Lumens: 8203 lm (for 4ft)
Input Watts: 92 W
Efficacy: 89 lm/W

CRI:80 shown (for CRI:90 use 0.8 multiplier on watts and efficacy)

IES FILE: SL2HLED-B3-SL2-1250-750-80-35-VL-4-4-W-120-D-1.ies

TESTED ACCORDING TO IES LM-79-2008

CANDELA DISTRIBUTION

Vertical Angle	Horizontal Angles				
	0	22.5	45	67.5	90
0	1170	1170	1170	1170	1170
5	1162	1169	1174	1182	1192
15	1161	1170	1185	1197	1209
25	1144	1156	1189	1219	1232
35	1124	1159	1212	1265	1300
45	842	829	837	851	834
55	333	365	375	368	368
65	180	191	185	185	195
75	107	107	103	100	108
85	33	30	35	35	33
90	0	0	0	0	0
95	116	123	127	111	104
105	580	604	731	881	950
115	902	969	1189	1454	1566
125	959	1050	1283	1551	1662
135	828	914	1108	1306	1383
145	652	712	849	967	1011
155	515	550	626	687	707
165	435	448	479	502	507
175	402	405	409	409	407
180	398	398	398	398	398

ZONAL LUMENS

Zone	Lumens
0	
0-10	112
10-20	335
20-30	551
30-40	751
40-50	647
50-60	339
60-70	190
70-80	110
80-90	38
90	
90-100	179
100-110	774
110-120	1176
120-130	1149
130-140	857
140-150	532
150-160	290
160-170	137
170-180	40
180	

LUMINANCE DATA (cd/m²)

Vertical Angle	Horizontal Angles		
	0	45	90
45	12106	12034	11986
55	5899	6636	6518
65	4323	4443	4683
75	4183	4053	4249
85	3882	4076	3882

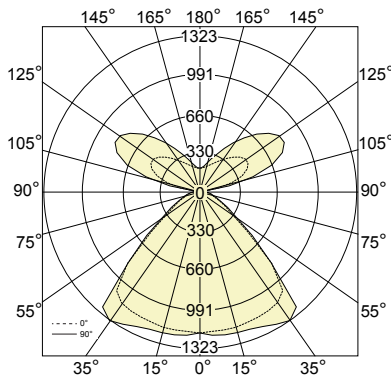
i All IES files are available for download at: www.axislighting.com

● PHOTOMETRIC DATA

VL LENS (VL)

SL2HLED-B3-SL2-1000-1250-80-35-VL
1000lm/ft up / 1250lm/ft down

PHOTOMETRIC CURVE



Lumen/ft up: 1013 lm/ft
Lumen/ft down: 1254 lm/ft
Total Lumens: 9065 lm (for 4ft)
Input Watts: 105 W
Efficacy: 86 lm/W

CRI:80 shown (for CRI:90 use 0.8 multiplier on watts and efficacy)
IES FILE: SL2HLED-B3-SL2-1000-1250-80-35-VL-4-4-W-120-D-1.ies

TESTED ACCORDING TO IES LM-79-2008

CANDELA DISTRIBUTION

Vertical Angle	Horizontal Angles				
	0	22.5	45	67.5	90
0	1916	1916	1916	1916	1916
5	1902	1913	1921	1935	1951
15	1899	1916	1940	1959	1978
25	1872	1891	1946	1995	2017
35	1839	1897	1984	2071	2128
45	1379	1357	1371	1392	1365
55	545	597	613	602	602
65	294	313	302	302	319
75	174	174	169	164	177
85	55	49	57	57	55
90	0	0	0	0	0
95	92	97	100	88	82
105	457	476	576	695	749
115	711	764	938	1146	1235
125	756	828	1011	1222	1310
135	653	721	874	1029	1090
145	514	561	669	763	797
155	406	433	493	542	557
165	343	353	378	396	400
175	317	319	322	322	321
180	314	314	314	314	314

ZONAL LUMENS

Zone	Lumens
0	
0-10	184
10-20	549
20-30	902
30-40	1229
40-50	1059
50-60	555
60-70	311
70-80	180
80-90	61
90	
90-100	141
100-110	610
110-120	927
120-130	906
130-140	676
140-150	420
150-160	229
160-170	108
170-180	31
180	

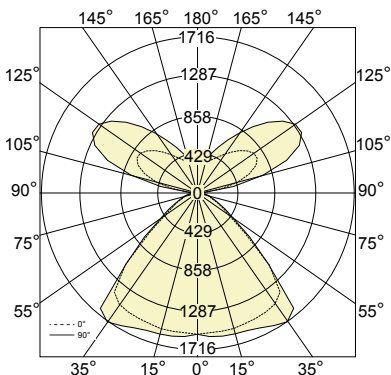
LUMINANCE DATA (cd/m²)

Vertical Angle	Horizontal Angles		
	0	45	90
45	19813	19695	19617
55	9654	10861	10668
65	7075	7272	7665
75	6846	6632	6953
85	6354	6671	6354

VL LENS (VL)

SL2HLED-B3-SL2-1000-1000-80-35-VL
1000lm/ft up / 1000lm/ft down

PHOTOMETRIC CURVE



Lumen/ft up: 1013 lm/ft
Lumen/ft down: 1011 lm/ft
Total Lumens: 8094 lm (for 4ft)
Input Watts: 93 W
Efficacy: 87 lm/W

CRI:80 shown (for CRI:90 use 0.8 multiplier on watts and efficacy)
IES FILE: SL2HLED-B3-SL2-1000-1000-80-35-VL-4-4-W-120-D-1.ies
TESTED ACCORDING TO IES LM-79-2008

CANDELA DISTRIBUTION

Vertical Angle	Horizontal Angles				
	0	22.5	45	67.5	90
0	1544	1544	1544	1544	1544
5	1534	1542	1549	1560	1573
15	1531	1544	1564	1580	1595
25	1509	1525	1569	1608	1626
35	1483	1529	1599	1670	1716
45	1112	1094	1105	1123	1101
55	439	481	494	486	486
65	237	253	244	244	257
75	141	141	136	132	143
85	44	40	46	46	44
90	0	0	0	0	0
95	92	97	100	88	82
105	457	476	576	695	749
115	711	764	938	1146	1235
125	756	828	1011	1222	1310
135	653	721	874	1029	1090
145	514	561	669	763	797
155	406	433	493	542	557
165	343	353	378	396	400
175	317	319	322	322	321
180	314	314	314	314	314

ZONAL LUMENS

Zone	Lumens
0	
0-10	148
10-20	443
20-30	727
30-40	991
40-50	854
50-60	447
60-70	251
70-80	145
80-90	50
90	
90-100	141
100-110	610
110-120	927
120-130	906
130-140	676
140-150	420
150-160	229
160-170	108
170-180	31
180	

LUMINANCE DATA (cd/m²)

Vertical Angle	Horizontal Angles		
	0	45	90
45	15974	15879	15816
55	7784	8757	8601
65	5705	5863	6180
75	5520	5347	5606
85	5122	5379	5122

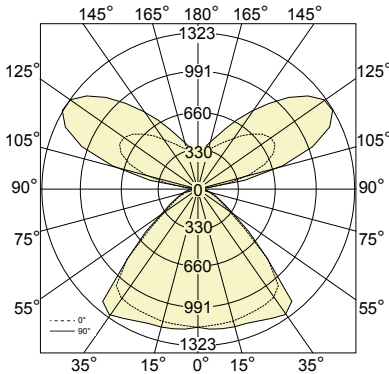
i All IES files are available for download at: www.axislighting.com

● PHOTOMETRIC DATA

VL LENS (VL)

SL2HLED-B3-SL2-1000-750-80-35-VL
1000lm/ft up / 750lm/ft down

PHOTOMETRIC CURVE



Lumen/ft up: 1013 lm/ft
Lumen/ft down: 766 lm/ft
Total Lumens: 7115 lm (for 4ft)
Input Watts: 81 W
Efficacy: 88 lm/W

CANDELA DISTRIBUTION

Vertical Angle	Horizontal Angles				
	0	22.5	45	67.5	90
0	1170	1170	1170	1170	1170
5	1162	1169	1174	1182	1192
15	1161	1170	1185	1197	1209
25	1144	1156	1189	1219	1232
35	1124	1159	1212	1265	1300
45	842	829	837	851	834
55	333	365	375	368	368
65	180	191	185	185	195
75	107	107	103	100	108
85	33	30	35	35	33
90	0	0	0	0	0
95	92	97	100	88	82
105	457	476	576	695	749
115	711	764	938	1146	1235
125	756	828	1011	1222	1310
135	653	721	874	1029	1090
145	514	561	669	763	797
155	406	433	493	542	557
165	343	353	378	396	400
175	317	319	322	322	321
180	314	314	314	314	314

ZONAL LUMENS

Zone	Lumens
0	
0-10	112
10-20	335
20-30	551
30-40	751
40-50	647
50-60	339
60-70	190
70-80	110
80-90	38
90	
90-100	141
100-110	610
110-120	927
120-130	906
130-140	676
140-150	420
150-160	229
160-170	108
170-180	31
180	

LUMINANCE DATA (cd/m²)

Vertical Angle	Horizontal Angles		
	0	45	90
45	12106	12034	11986
55	5899	6636	6518
65	4323	4443	4683
75	4183	4053	4249
85	3882	4076	3882

CRI:80 shown (for CRI:90 use 0.8 multiplier on watts and efficacy)
 IES FILE: SL2HLED-B3-SL2-1000-750-80-35-VL-4-4-W-120-D-1.ies

TESTED ACCORDING TO IES LM-79-2008