

Project _____

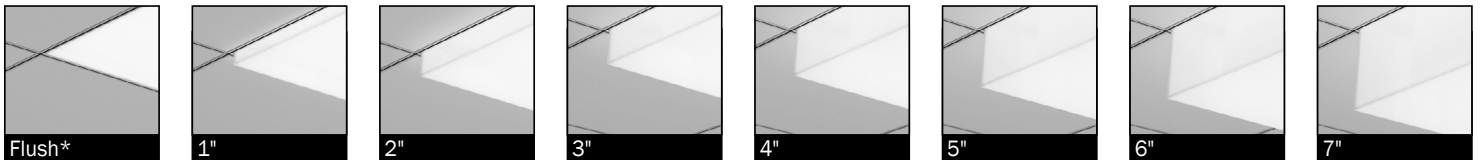
Type _____

Notes _____

PERFORMANCE AT 3500K

	NOMINAL LUMEN OUTPUT	INPUT WATTS	EFFICACY
Flush	3000 lm	32.8 W	88 lm/W
1" SkyeFall	3000 lm	32.8 W	90 lm/W
2" SkyeFall	3000 lm	32.9 W	91 lm/W
3" SkyeFall	3000 lm	32.8 W	91 lm/W
4" SkyeFall	3000 lm	32.8 W	92 lm/W
5" SkyeFall	3000 lm	32.9 W	94 lm/W
6" SkyeFall	3000 lm	33 W	87 lm/W
7" SkyeFall	3000 lm	33 W	88 lm/W

* Based on a 2' x 2' luminaire using one driver



*Flush lens at same height as adjacent tile. See page 2 for details.



cULus Listed Type I.C.



CONTROL SENSORS



Ordering Guide

SKFLED	22	TOTAL NOM. LUMENS		CRI	COLOR TEMP.
PRODUCT ID	SIZE				
SKFLED Recessed LED	22 2'X2'	2400	2400 lm - Minimum	80	2700 K
		4000	4000 lm - Maximum	90	3000 K
					35 3500 K
					40 4000 K

Outputs between listed min and max are available. Consult factory for outputs outside of the listed range.

SHIELDING	W FINISH	VOLTAGE	DRIVER	CIRCUITS
FL Flush ⁽¹⁾	W white	120 120 V	DP dimming (0-10V) 1%	1 1 circuit
1SF 1" SkyeFall		277 277 V	LT Lutron ⁽²⁾	+E(#) emergency section ⁽⁴⁾
2SF 2" SkyeFall		347 347 V	BI bi-level dimming	+NL(#) night light section ⁽⁴⁾
3SF 3" SkyeFall		UNV universal	O other ⁽³⁾	+GTD(#) generator transfer device ⁽⁴⁾
4SF 4" SkyeFall				
5SF 5" SkyeFall				
6SF 6" SkyeFall				
7SF 7" SkyeFall				

(1) Flush mounted to different ceiling tiles and system see page 2 for details
All lens options use frosted lens

(2) Specify system
(3) Please consult factory; see page 2

(4) Specify quantity

MOUNTING	OTHER (OPTIONAL)	BATTERY (OPTIONAL)	CONTROLS - REMOTE (OPTIONAL)	CUSTOM (OPTIONAL)
TB9 t-bar 9/16"	F fuse ⁽⁵⁾	B# battery pack	DS# daylight sensor	C custom
TB15 t-bar 15/16"	FW(#) flex whip (6' std)		OS# occupancy sensor	
ST screw slot t-bar	CP Chicago plenum		DOS# daylight & occupancy sensor	
TG9 tegular 9/16"			ENR# enlightened remote ⁽⁶⁾	
TG15 tegular 15/16"			WC# wireless control dimming	
DF drywall flange				

(5) Requires 120V or 277V

Please consult factory

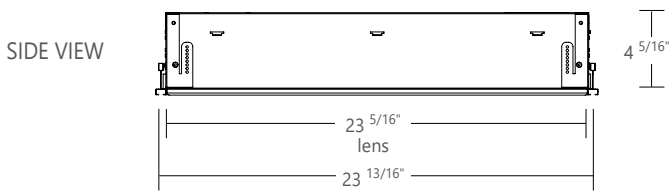
(6) Please consult factory Specify quantity. Remote only. See integrated controls guide for more details.

Please specify

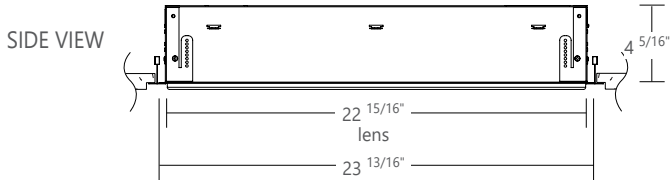


DIMENSIONS

ST SCREW SLOT T-BAR / **TG9** 9/16" T-TEGULAR / **TB9** 9/16" T-BAR

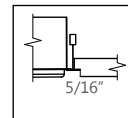


TB15 15/16" T-BAR / **TG15** 15/16" T-TEGULAR

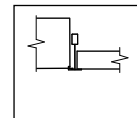


Flush version shown - For SkyeFall version, see installation instruction

FLUSH LENS AT SAME HEIGHT AS ADJACENT TILE



Tegalur system
Use with TG9, TG15 and ST



T-bar system
Use with TB9, TB15 and DF

See installation instructions for more details

● SPECIFICATIONS

CONSTRUCTION

Housing	Die formed cold rolled sheet steel (20 gauge).
Lens	Frosted acrylic lens
Reflectors	High reflectance post painted.
Drywall Flange Kit	Extruded aluminum (0.060" nominal).
Luminaire support	Integrated Hold-Down clip

● ELECTRICAL

Lutron driver*	LDE1 - EcoSystem H-Series (1%) LDE5 - EcoSystem 5-Series (5%) LTE - Hi-Lume® A-series 2Wires Forward Phase (1%) *Consult factory
Other drivers	DALI - Digital Addressable Lighting Interface DMX - Digital Multiplex LV - line voltage - Advance Mark 10 Xitanium SR - For wireless sensor POE (Power over Ethernet) - Low Voltage Lighting System.
Emergency	Integral emergency battery pack or emergency circuit optional.
Input Voltage	120V, 277V, 347V, UNV.
Flex Whip	Shipped in a separate box for contractors to install

i Incorporating these components may have limitations or affect the length of the luminaire. Please contact factory for more details.

● FINISH

Powder coated

● WARRANTY

Axis Lighting will warrant defective LEDs, boards, and drivers for 5 years from date of purchase. Warranty is valid if luminaire is installed and used according to specifications. If defective, Axis will send replacement boards or drivers at no cost along with detailed replacement instructions and instructions on how to return defective components to Axis.

LED life Minimum 50,000h with 85% of lumen maintenance in 25°C ambient temperature, in compliance with IES LM-80 testing measurements.

● APPROVALS

Certified to UL and CSA standards
Chicago Plenum Certified (CCEA)
Meets NYC requirements
Suitable for damp locations.
IC Rated (Insulated ceiling)

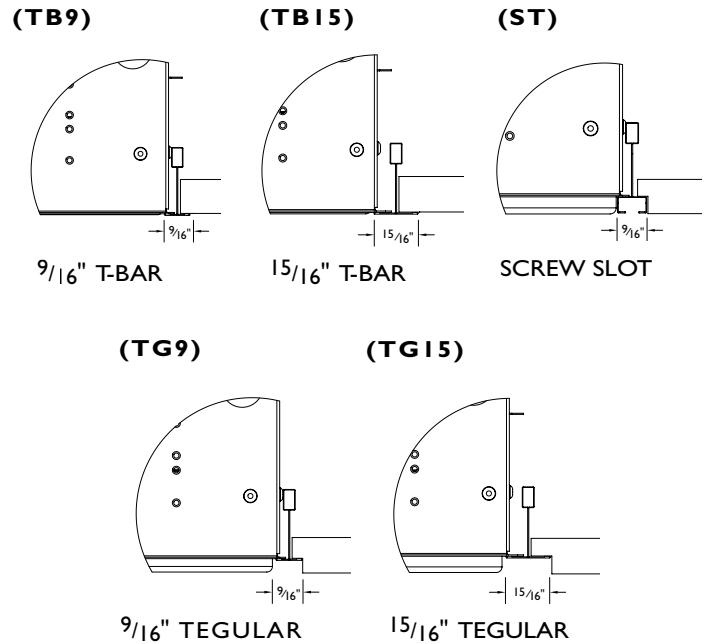


● WEIGHT

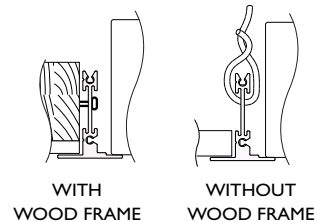
Standard	
FL, 1SF, 2SF	15 lbs / 6.8 kg
3SF, 4SF, 5SF	18.5 lbs / 8.39 kg
6SF, 7SF	20 lbs / 9.07 kg
Drywall Kit	2.5 lbs / 1.13kg

● CEILING SYSTEM

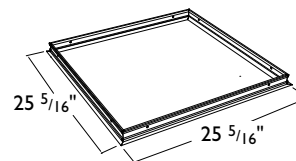
T-BAR STYLE MOUNTING



DRYWALL WITH FLANGE KIT (DF)



DRYWALL MOUNTING KIT



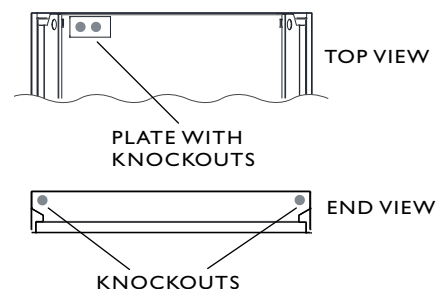
FIXTURE DIMENSIONS
23 13/16" / 23 13/16"

CUT HOLE DIMENSIONS
24 9/16" / 24 9/16"

i Installation sheets for all mounting options are available at www.axislighting.com

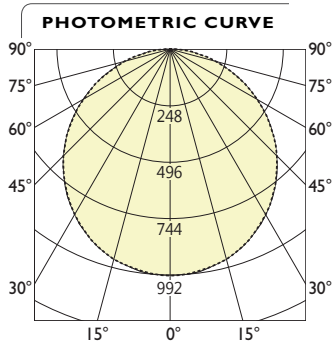
● STANDARD AND END MOUNT POWER FEED

Knockouts for BX cable connection are provided both on the top and on the ends of the luminaire. This allows for an end mount power feed solution if it is required. (BX CABLE BY OTHER)



● PHOTOMETRIC DATA - 3000 LUMENS

FL Flush



Luminaire Lumens: 2878 lm
Input Watts: 32.8 W
Efficacy: 88 lm/W
 IES FILE: SKFLED-22-3000-80-35-Fies

TESTED ACCORDING TO IES LM-79-2008

CANDELA DISTRIBUTION

Vertical Angle	Horizontal Angles				
	0	22.5	45	67.5	90
0	992	992	992	992	992
5	988	988	987	989	986
15	952	953	952	953	952
25	883	884	882	884	883
35	786	785	784	786	784
45	662	662	661	662	661
55	519	518	517	518	517
65	363	362	362	362	361
75	205	204	204	204	203
85	61	61	61	60	58
90	21	15	14	12	11

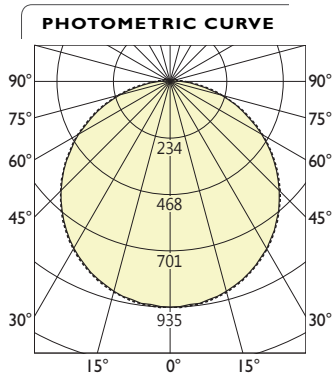
ZONAL LUMENS

Zone	Lumens
0	94
0-10	269
10-20	407
20-30	491
30-40	510
40-50	463
50-60	358
60-70	216
70-80	70
80-90	70
90	

LUMINANCE DATA (cd/m²)

Vertical Angle	Horizontal Angles		
	0	45	90
45	2688	2683	2683
55	2597	2590	2589
65	2463	2456	2453
75	2273	2266	2256
85	2006	1993	1924

1SF 1" SkyeFall



Luminaire Lumens: 2953 lm
Input Watts: 32.8 W
Efficacy: 90 lm/W
 IES FILE: SKFLED-22-3000-80-35-1SL.ies

TESTED ACCORDING TO IES LM-79-2008

CANDELA DISTRIBUTION

Vertical Angle	Horizontal Angles				
	0	22.5	45	67.5	90
0	935	935	935	935	935
5	933	932	932	931	928
15	902	903	903	901	900
25	842	843	843	841	840
35	754	756	756	754	751
45	641	644	645	643	639
55	509	514	515	512	507
65	365	371	372	369	363
75	219	225	226	223	216
85	86	91	92	87	81
90	50	48	48	42	35

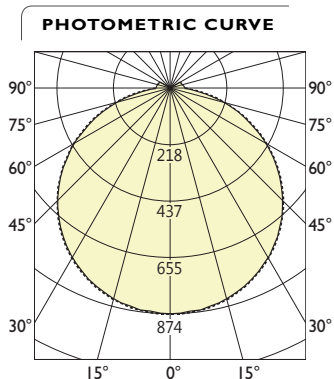
ZONAL LUMENS

Zone	Lumens
0	89
0-10	89
10-20	255
20-30	388
30-40	472
40-50	496
50-60	458
60-70	365
70-80	236
80-90	101
90	

LUMINANCE DATA (cd/m²)

Vertical Angle	Horizontal Angles		
	0	45	90
45	2560	2559	2552
55	2490	2493	2479
65	2396	2403	2378
75	2286	2304	2252
85	2360	2369	2244

2SF 2" SkyeFall



Luminaire Lumens: 3008 lm
Input Watts: 32.9 W
Efficacy: 91 lm/W
 IES FILE: SKFLED-22-3000-80-35-2SL.ies

TESTED ACCORDING TO IES LM-79-2008

CANDELA DISTRIBUTION

Vertical Angle	Horizontal Angles				
	0	22.5	45	67.5	90
0	874	874	874	874	874
5	871	872	871	872	872
15	847	850	850	848	849
25	795	800	801	799	796
35	716	723	725	722	717
45	615	624	626	623	616
55	496	507	508	504	495
65	364	375	379	374	363
75	230	241	245	239	227
85	107	117	121	114	102
90	74	79	82	73	60

ZONAL LUMENS

Zone	Lumens
0	83
0-10	83
10-20	240
20-30	368
30-40	452
40-50	480
50-60	450
60-70	369
70-80	252
80-90	129
90	

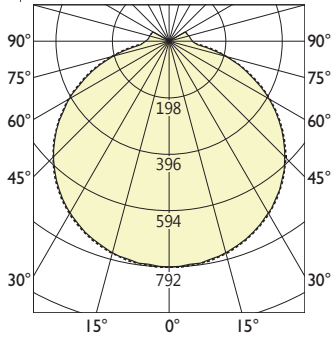
LUMINANCE DATA (cd/m²)

Vertical Angle	Horizontal Angles		
	0	45	90
45	2376	2372	2379
55	2314	2308	2311
65	2230	2231	2221
75	2143	2140	2119
85	2227	2186	2125

PHOTOMETRIC DATA

3SF 3" SkyeFall

PHOTOMETRIC CURVE

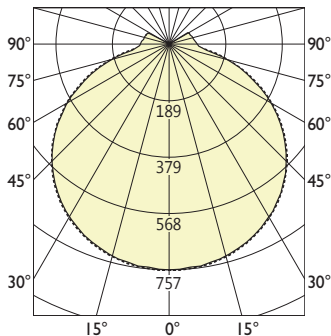


Luminaire Lumens: 2997 lm
Input Watts: 32.8 W
Efficacy: 91 lm/W
 IES FILE: SKFLED-22-3000-80-35-3SLies

TESTED ACCORDING TO IES LM-79-2008

4SF 4" SkyeFall

PHOTOMETRIC CURVE

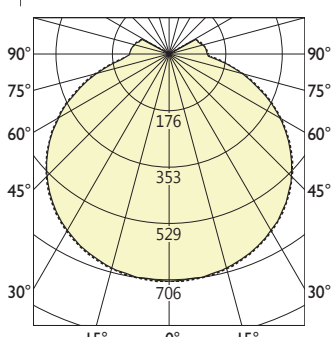


Luminaire Lumens: 3029 lm
Input Watts: 32.8 W
Efficacy: 92 lm/W
 IES FILE: SKFLED-22-3000-80-35-4SL.ies

TESTED ACCORDING TO IES LM-79-2008

5SF 5" SkyeFall

PHOTOMETRIC CURVE



Luminaire Lumens: 3079 lm
Input Watts: 32.9 W
Efficacy: 94 lm/W
 IES FILE: SKFLED-22-3000-80-35-5SL.ies

TESTED ACCORDING TO IES LM-79-2008

CANDELA DISTRIBUTION

Vertical Angle	Horizontal Angles				
	0	22.5	45	67.5	90
0	792	792	792	792	792
5	789	792	791	792	792
15	772	777	777	774	775
25	729	736	737	733	731
35	662	672	674	669	663
45	575	587	589	583	575
55	471	485	489	482	470
65	357	373	377	369	355
75	240	255	261	253	237
85	129	145	150	140	125
90	101	109	113	102	86

ZONAL LUMENS

Zone	Lumens
0	
0-10	75
10-20	219
20-30	338
30-40	419
40-50	450
50-60	431
60-70	365
70-80	266
80-90	157
90	

LUMINANCE DATA (cd/m²)

Vertical Angle	Horizontal Angles		
	0	45	90
45	2186	2184	2185
55	2151	2152	2145
65	2120	2124	2107
75	2127	2130	2100
85	2398	2352	2315

CANDELA DISTRIBUTION

Vertical Angle	Horizontal Angles				
	0	22.5	45	67.5	90
0	756	756	756	756	756
5	753	755	755	757	757
15	740	746	746	742	743
25	702	710	711	706	704
35	640	652	654	648	641
45	559	574	577	570	560
55	463	480	484	476	462
65	357	375	381	371	355
75	247	265	272	262	244
85	142	160	166	156	137
90	113	127	133	120	99

ZONAL LUMENS

Zone	Lumens
0	
0-10	72
10-20	210
20-30	326
30-40	406
40-50	440
50-60	425
60-70	367
70-80	276
80-90	173
90	

LUMINANCE DATA (cd/m²)

Vertical Angle	Horizontal Angles		
	0	45	90
45	2094	2092	2096
55	2069	2069	2064
65	2051	2058	2039
75	2079	2084	2052
85	2368	2309	2296

CANDELA DISTRIBUTION

Vertical Angle	Horizontal Angles				
	0	22.5	45	67.5	90
0	702	702	702	702	702
5	700	703	703	705	706
15	692	699	698	695	696
25	661	672	672	668	664
35	609	623	626	619	611
45	538	556	560	552	539
55	452	474	478	469	452
65	356	378	386	375	355
75	256	279	288	277	254
85	159	183	191	180	157
90	132	152	160	148	123

ZONAL LUMENS

Zone	Lumens
0	
0-10	67
10-20	197
20-30	308
30-40	388
40-50	426
50-60	419
60-70	370
70-80	290
80-90	197
90	

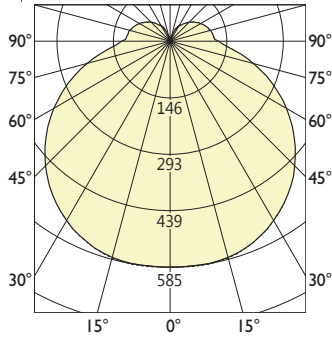
LUMINANCE DATA (cd/m²)

Vertical Angle	Horizontal Angles		
	0	45	90
45	1952	1947	1956
55	1935	1930	1934
65	1928	1929	1920
75	1968	1963	1951
85	2223	2157	2190

PHOTOMETRIC DATA

6SF 6" SkyeFall

PHOTOMETRIC CURVE



Luminaire Lumens: 2861 lm
Input Watts: 33 W
Efficacy: 87 lm/W
 IES FILE: SKFLED-22-3000-80-35-6SL.ies

TESTED ACCORDING TO IES LM-79-2008

CANDELA DISTRIBUTION

Vertical Angle	Horizontal Angles				
	0	22.5	45	67.5	90
0	584	584	584	584	584
5	583	584	584	585	585
15	578	582	581	578	579
25	554	561	562	557	554
35	513	524	526	519	512
45	456	470	473	465	454
55	386	403	408	399	383
65	307	326	332	322	304
75	225	245	252	242	221
85	146	170	179	166	143
90	126	145	154	142	120

ZONAL LUMENS

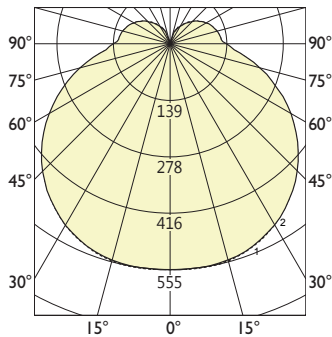
Zone	Lumens
0	56
0-10	164
20-30	258
30-40	326
40-50	360
50-60	356
60-70	318
70-80	254
80-90	183
90	

LUMINANCE DATA (cd/m²)

Vertical Angle	Horizontal Angles		
	0	45	90
45	1631	1613	1622
55	1620	1603	1606
65	1618	1600	1598
75	1654	1630	1627
85	1888	1844	1846

7SF 7" SkyeFall

PHOTOMETRIC CURVE



Luminaire Lumens: 2902 lm
Input Watts: 33 W
Efficacy: 88 lm/W
 IES FILE: SKFLED-22-3000-80-35-7SL.ies

TESTED ACCORDING TO IES LM-79-2008

CANDELA DISTRIBUTION

Vertical Angle	Horizontal Angles				
	0	22.5	45	67.5	90
0	554	554	554	554	554
5	553	554	554	554	555
15	549	552	552	550	551
25	529	536	537	532	529
35	493	503	506	499	492
45	442	456	460	452	440
55	378	396	402	392	376
65	306	326	333	322	303
75	229	251	260	249	226
85	158	182	192	179	154
90	139	160	170	157	133

ZONAL LUMENS

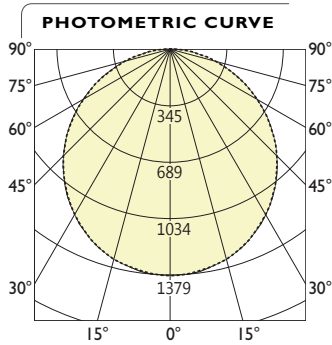
Zone	Lumens
0	53
0-10	156
20-30	246
30-40	313
40-50	349
50-60	350
60-70	318
70-80	261
80-90	196
90	

LUMINANCE DATA (cd/m²)

Vertical Angle	Horizontal Angles		
	0	45	90
45	1557	1537	1551
55	1556	1537	1545
65	1565	1548	1550
75	1621	1598	1600
85	1896	1825	1847

● PHOTOMETRIC DATA - 4000 LUMENS

FL Flush



Luminaire Lumens: 4000 lm
Input Watts: 45.4 W
Efficacy: 88 lm/W
 IES FILE: SKFLED-22-4000-80-35-Fies

TESTED ACCORDING TO IES LM-79-2008

CANDELA DISTRIBUTION

Vertical Angle	Horizontal Angles				
	0	22.5	45	67.5	90
0	1379	1379	1379	1379	1379
5	1373	1373	1371	1374	1370
15	1324	1325	1324	1325	1324
25	1228	1229	1226	1228	1227
35	1092	1091	1090	1092	1089
45	920	920	918	920	918
55	721	720	719	720	719
65	504	503	502	503	502
75	285	284	284	284	283
85	85	84	84	83	81
90	30	20	19	17	15

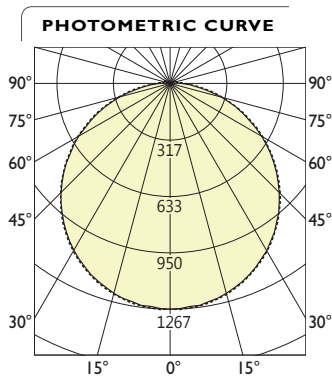
ZONAL LUMENS

Zone	Lumens
0	
0-10	130
10-20	374
20-30	566
30-40	682
40-50	709
50-60	643
60-70	498
70-80	300
80-90	98
90	

LUMINANCE DATA (cd/m²)

Vertical Angle	Horizontal Angles		
	0	45	90
45	3736	3730	3729
55	3609	3599	3598
65	3423	3414	3409
75	3160	3149	3135
85	2789	2770	2674

1SF 1" SkyeFall



Luminaire Lumens: 4000 lm
Input Watts: 44.4 W
Efficacy: 90 lm/W
 IES FILE: SKFLED-22-4000-80-35-1SFies

TESTED ACCORDING TO IES LM-79-2008

CANDELA DISTRIBUTION

Vertical Angle	Horizontal Angles				
	0	22.5	45	67.5	90
0	1267	1267	1267	1267	1267
5	1264	1262	1262	1261	1258
15	1222	1224	1223	1220	1219
25	1140	1142	1142	1139	1137
35	1021	1024	1024	1021	1018
45	868	873	874	871	866
55	690	696	698	694	687
65	495	502	504	500	491
75	297	305	306	302	292
85	116	123	124	118	110
90	68	65	65	57	47

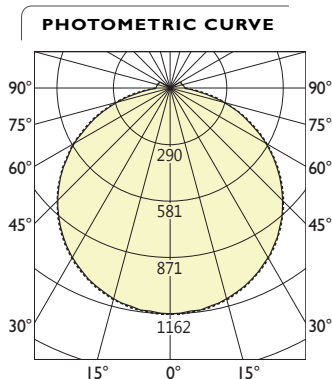
ZONAL LUMENS

Zone	Lumens
0	
0-10	120
10-20	345
20-30	526
30-40	639
40-50	672
50-60	620
60-70	495
70-80	319
80-90	137
90	

LUMINANCE DATA (cd/m²)

Vertical Angle	Horizontal Angles		
	0	45	90
45	3467	3467	3457
55	3373	3377	3358
65	3245	3255	3221
75	3097	3120	3050
85	3196	3209	3039

2SF 2" SkyeFall



Luminaire Lumens: 4000 lm
Input Watts: 43.9 W
Efficacy: 91 lm/W
 IES FILE: SKFLED-22-4000-80-35-2SFies

TESTED ACCORDING TO IES LM-79-2008

CANDELA DISTRIBUTION

Vertical Angle	Horizontal Angles				
	0	22.5	45	67.5	90
0	1162	1162	1162	1162	1162
5	1158	1159	1159	1159	1160
15	1127	1130	1131	1128	1128
25	1057	1064	1065	1062	1059
35	952	962	964	960	954
45	818	829	832	828	818
55	659	674	676	671	659
65	484	499	504	497	482
75	306	321	325	318	302
85	142	156	161	152	136
90	99	105	109	97	80

ZONAL LUMENS

Zone	Lumens
0	
0-10	110
10-20	319
20-30	490
30-40	601
40-50	638
50-60	599
60-70	491
70-80	335
80-90	171
90	

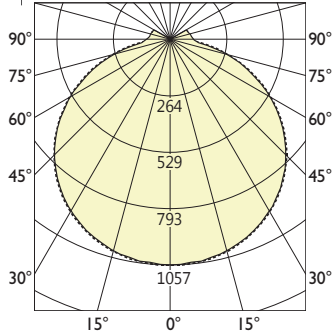
LUMINANCE DATA (cd/m²)

Vertical Angle	Horizontal Angles		
	0	45	90
45	3159	3154	3163
55	3077	3069	3074
65	2966	2967	2954
75	2850	2846	2817
85	2962	2907	2826

PHOTOMETRIC DATA

3SF 3" SkyeFall

PHOTOMETRIC CURVE



Luminaire Lumens: 4000 lm
Input Watts: 43.9 W
Efficacy: 91 lm/W
 IES FILE: SKFLED-22-4000-80-35-3SF.ies

TESTED ACCORDING TO IES LM-79-2008

CANDELA DISTRIBUTION

Vertical Angle	Horizontal Angles				
	0	22.5	45	67.5	90
0	1057	1057	1057	1057	1057
5	1053	1056	1056	1057	1057
15	1030	1037	1036	1033	1034
25	972	982	983	979	975
35	883	897	899	892	884
45	767	783	787	779	767
55	629	647	652	643	627
65	477	497	503	493	474
75	321	341	348	337	317
85	172	193	200	187	166
90	135	145	151	136	114

ZONAL LUMENS

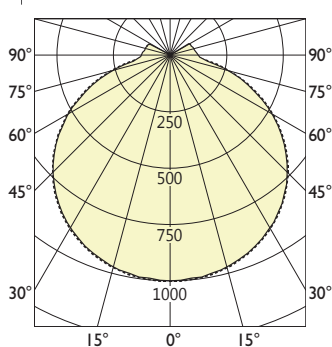
Zone	Lumens
0	
0-10	101
10-20	292
20-30	452
30-40	559
40-50	601
50-60	575
60-70	487
70-80	355
80-90	210
90	

LUMINANCE DATA (cd/m²)

Vertical Angle	Horizontal Angles		
	0	45	90
45	2917	2915	2917
55	2871	2872	2863
65	2830	2835	2812
75	2839	2843	2803
85	3201	3139	3089

4SF 4" SkyeFall

PHOTOMETRIC CURVE



Luminaire Lumens: 3999 lm
Input Watts: 43.4 W
Efficacy: 92 lm/W
 IES FILE: SKFLED-22-4000-80-35-4SF.ies

TESTED ACCORDING TO IES LM-79-2008

CANDELA DISTRIBUTION

Vertical Angle	Horizontal Angles				
	0	22.5	45	67.5	90
0	998	998	998	998	998
5	995	998	997	1000	1000
15	977	985	984	979	981
25	926	938	939	933	929
35	846	861	864	856	847
45	739	758	762	752	740
55	612	633	639	628	610
65	471	495	503	490	468
75	326	350	359	346	322
85	187	211	219	206	181
90	150	167	176	158	131

ZONAL LUMENS

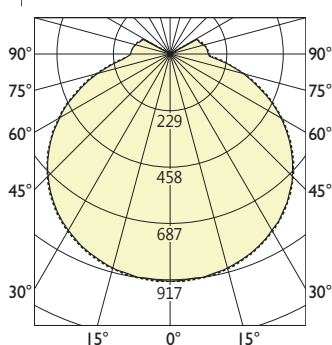
Zone	Lumens
0	
0-10	95
10-20	277
20-30	431
30-40	536
40-50	581
50-60	562
60-70	484
70-80	364
80-90	229
90	

LUMINANCE DATA (cd/m²)

Vertical Angle	Horizontal Angles		
	0	45	90
45	2766	2763	2769
55	2733	2732	2726
65	2709	2718	2692
75	2745	2752	2710
85	3127	3049	3032

5SF 5" SkyeFall

PHOTOMETRIC CURVE



Luminaire Lumens: 4000 lm
Input Watts: 42.5 W
Efficacy: 94 lm/W
 IES FILE: SKFLED-22-4000-80-35-5SL.ies

TESTED ACCORDING TO IES LM-79-2008

CANDELA DISTRIBUTION

Vertical Angle	Horizontal Angles				
	0	22.5	45	67.5	90
0	912	912	912	912	912
5	909	913	913	915	917
15	899	908	907	902	904
25	859	873	874	867	862
35	791	810	813	804	794
45	699	722	727	717	700
55	587	615	621	609	587
65	462	492	501	487	461
75	332	363	374	359	330
85	207	237	248	234	203
90	172	197	208	192	160

ZONAL LUMENS

Zone	Lumens
0	
0-10	87
10-20	256
20-30	401
30-40	504
40-50	553
50-60	544
60-70	481
70-80	377
80-90	257
90	

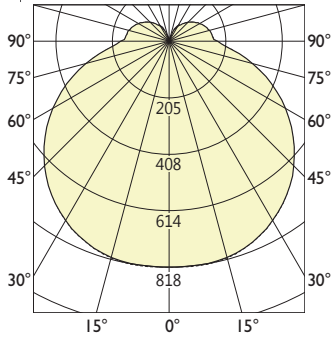
LUMINANCE DATA (cd/m²)

Vertical Angle	Horizontal Angles		
	0	45	90
45	2536	2529	2541
55	2513	2507	2512
65	2505	2506	2494
75	2556	2550	2534
85	2888	2802	2845

PHOTOMETRIC DATA

6SF 6" SkyeFall

PHOTOMETRIC CURVE



Luminaire Lumens: 4000 lm
Input Watts: 45.9 W
Efficacy: 87 lm/W
 IES FILE: SKFLED-22-4000-80-35-6SF.ies

TESTED ACCORDING TO IES LM-79-2008

CANDELA DISTRIBUTION

Vertical Angle	Horizontal Angles				
	0	22.5	45	67.5	90
0	817	817	817	817	817
5	816	817	816	818	818
15	808	813	813	809	810
25	775	785	786	778	774
35	717	732	735	725	715
45	638	657	662	650	634
55	540	563	570	557	535
65	430	456	465	450	424
75	314	342	352	338	309
85	204	238	250	232	200
90	176	203	215	199	168

ZONAL LUMENS

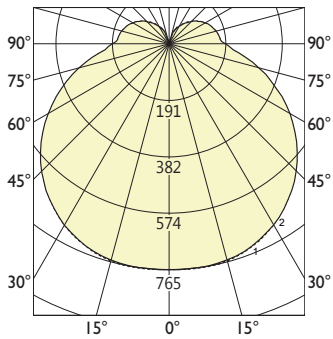
Zone	Lumens
0	
0-10	78
10-20	229
20-30	360
30-40	455
40-50	503
50-60	498
60-70	445
70-80	355
80-90	255
90	

LUMINANCE DATA (cd/m²)

Vertical Angle	Horizontal Angles		
	0	45	90
45	2280	2255	2268
55	2265	2241	2246
65	2262	2237	2234
75	2312	2279	2275
85	2639	2578	2582

7SF 7" SkyeFall

PHOTOMETRIC CURVE



Luminaire Lumens: 4000 lm
Input Watts: 45.4 W
Efficacy: 88 lm/W
 IES FILE: SKFLED-22-4000-80-35-7SL.ies

TESTED ACCORDING TO IES LM-79-2008

CANDELA DISTRIBUTION

Vertical Angle	Horizontal Angles				
	0	22.5	45	67.5	90
0	763	763	763	763	763
5	762	764	763	764	764
15	756	761	761	758	759
25	729	738	740	733	730
35	679	694	698	688	678
45	609	629	634	622	607
55	522	546	554	540	518
65	421	449	459	444	417
75	316	346	358	343	312
85	218	251	265	246	212
90	192	220	234	216	183

ZONAL LUMENS

Zone	Lumens
0	
0-10	73
10-20	215
20-30	339
30-40	432
40-50	481
50-60	483
60-70	439
70-80	360
80-90	269
90	

LUMINANCE DATA (cd/m²)

Vertical Angle	Horizontal Angles		
	0	45	90
45	2146	2119	2137
55	2144	2119	2129
65	2157	2134	2137
75	2234	2203	2205
85	2614	2516	2546