

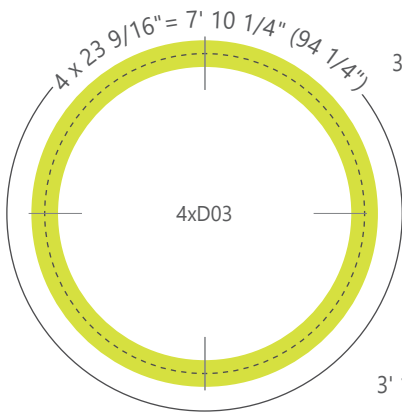
Project _____

Type _____

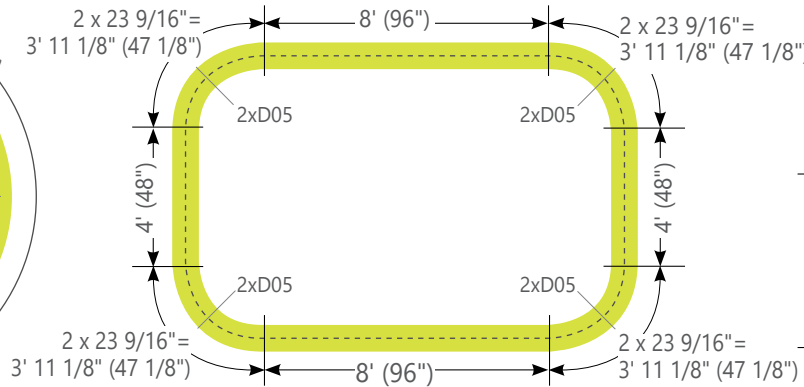
Notes _____



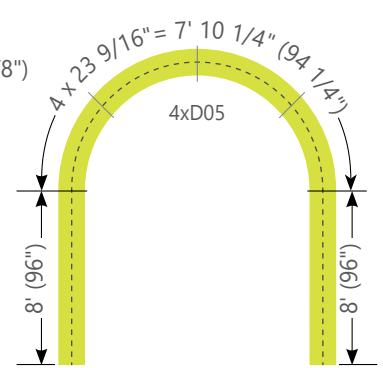
i Drawings are not to scale



SK-10003-B3-CIR-AL7' 10 1/4"
Circle Pattern



SK-#-B3-REC-AL43' 8 1/4"
Rectangle Pattern



SK-#-B3-ASO-AL23' 10 1/4"
Other Shape Pattern

ALL ORDERS MUST BE SUBMITTED WITH DRAWINGS INDICATING DIMENSIONS, ANGLES AND DIAMETER

SK	PRODUCT ID	PROJECT REFERENCE #	PATTERNS	LENGTH	NOM. LUMENS/FT	CRI
SK	sketch recessed	10003 D03-30" diameter circle 10005 D05-60" diameter circle 10008 D08-90" diameter circle 10013 D13-150" diameter circle 10018 D18-210" diameter circle 10023 D23-270" diameter circle # for all other shapes ⁽¹⁾	REC rectangle CIR circle ARC arc section ASO other shape LIN linear run	AL# pattern length ⁽²⁾ 400 400 lm/ft 700 700 lm/ft	80 80 CRI 90 90 CRI	
(1) to be assigned by the factory			(2) nominal length			

SO		FINISH		VOLTAGE		DRIVER		CIRCUITS	
COLOR TEMP.	SHIELDING	W	C	120	277	347	UNV	1	2
27 2700 K	SO spotless lens	W white	C custom	120 120 V	277 277 V	347 347 V	UNV universal	1 1 circuit	2 2 circuits
30 3000 K								+E(#) emergency circuit ⁽⁵⁾	
35 3500 K								+NL(#) night light circuit ⁽⁵⁾	
40 4000 K								+GTD(#) generator transfer device ⁽⁵⁾	
(3) Specify system							(5) Specify system		
(4) Please consult factory; see page 2									

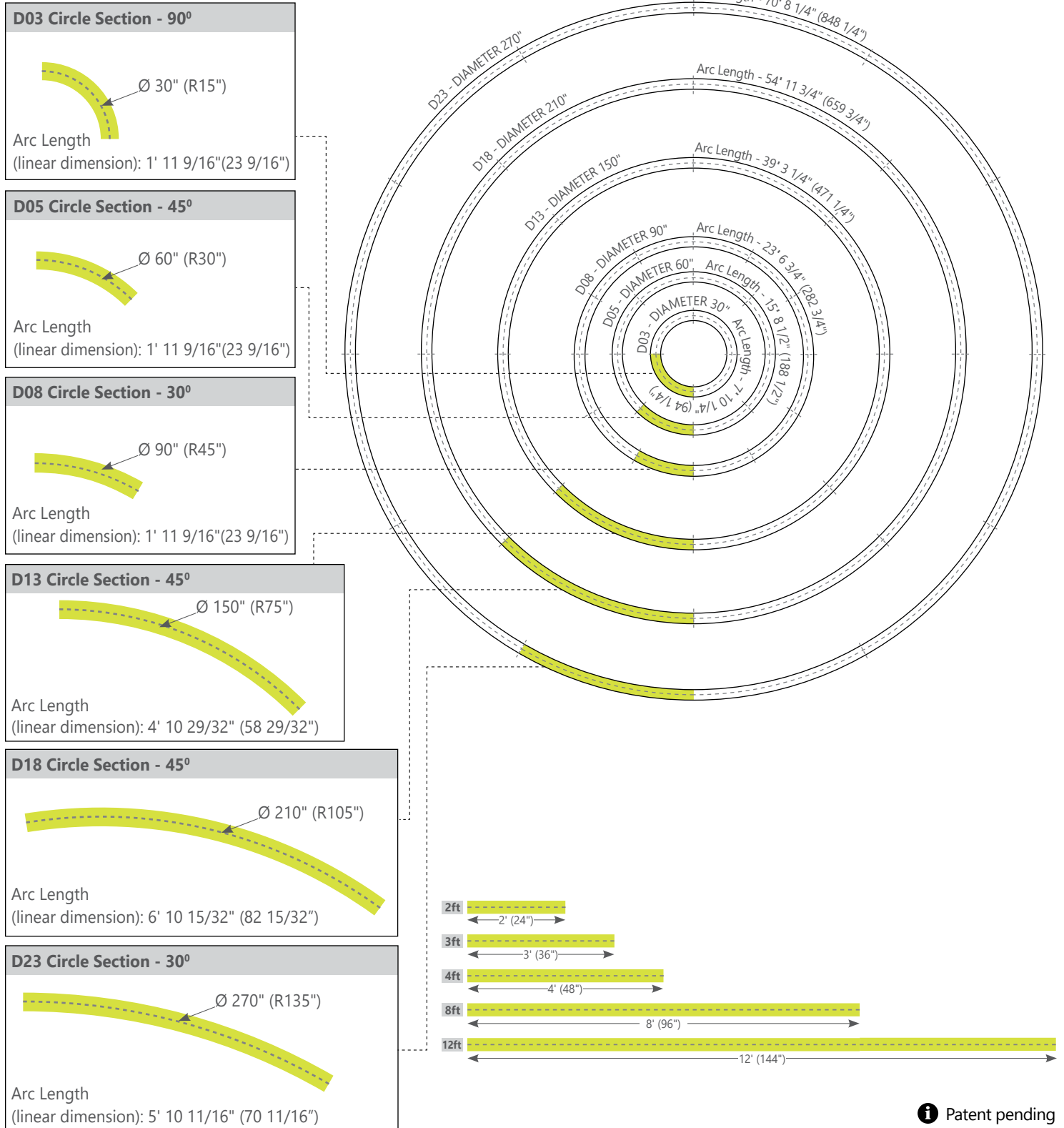
MOUNTING/SUSPENSION	OTHER (OPTIONAL)	CUSTOM (OPTIONAL)
DF drywall flange	CP chicago plenum	C custom
DS drywall spackle flange		Please specify

i Patent pending

ALL ORDERS MUST BE SUBMITTED WITH DRAWINGS INDICATING DIMENSIONS, ANGLES AND DIAMETER

LUMINAIRE SECTIONS

The center line indicates the diameter at the center of the curve. Regardless to the mounting style, the centre line remains the same. This is the dimension that should be used when planning a layout.



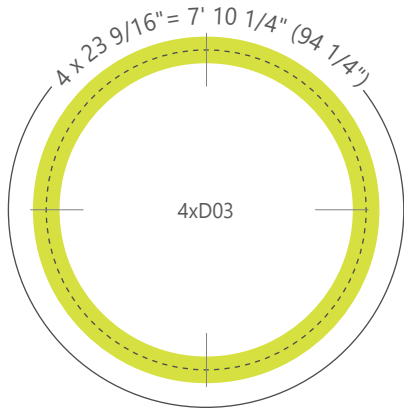
i Patent pending

ALL ORDERS MUST BE SUBMITTED WITH DRAWINGS INDICATING DIMENSIONS, ANGLES AND DIAMETER

● HOW TO ORDER?

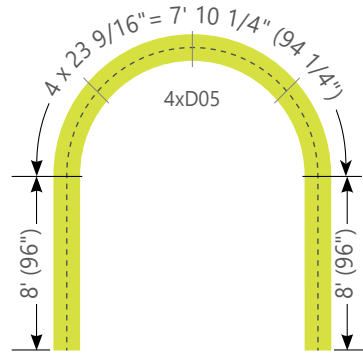
i Drawings are not to scale

EXAMPLE 1 - Circle Pattern



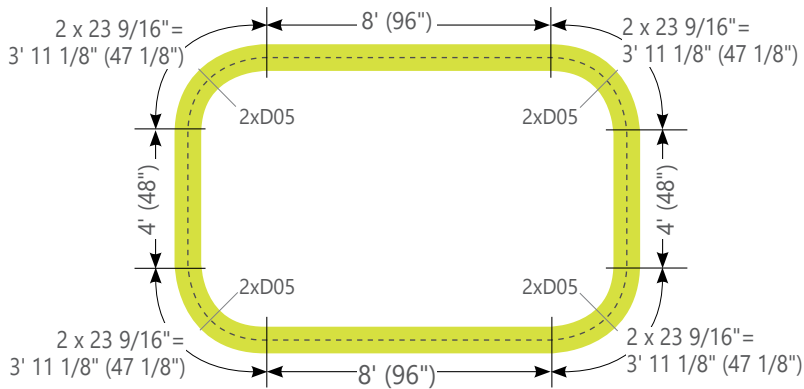
CODE: SK-10003-B2-CIR-AL7'10 1/4"

EXAMPLE 2 - Custom Shape Pattern



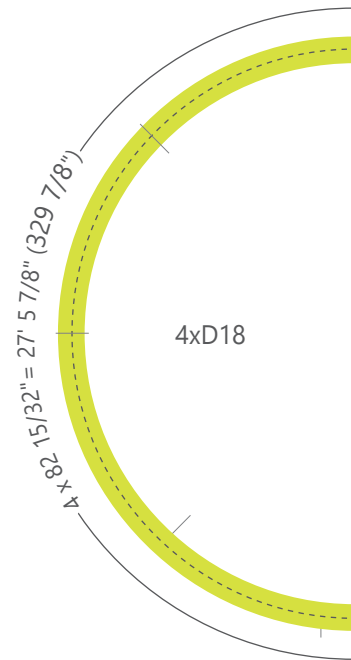
CODE: SK-#-B2-ASO-AL23'10 1/4"

EXAMPLE 3 - Rectangle Pattern



SK-#-B2-REC-AL43'8 1/4"

EXAMPLE 4 - Arc Section Pattern



SK-#-B2-ARC-AL27'5 7/8"

i Patent pending

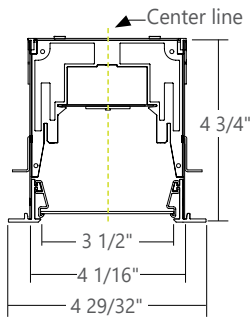
● PRODUCT DESCRIPTION

Sketch allows freedom to create shapes of continuous light. Its modules offer a wide range of options making possible to build partial and complete circles with 3', 5', 8', 13', 8', and 23' nominal diameters. These can be combined with straight sections.

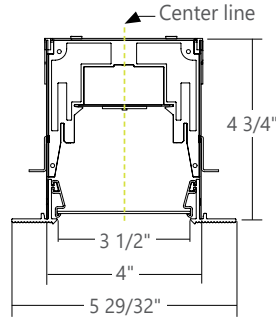
- i** Consult your Axis Representative to coordinate specification. A detailed drawing of the intended installation must be provided with each order.

● CEILING SYSTEM

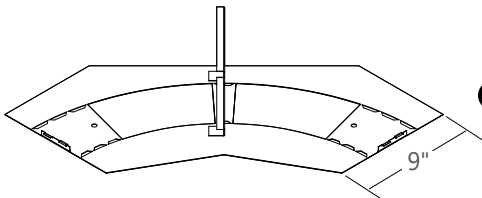
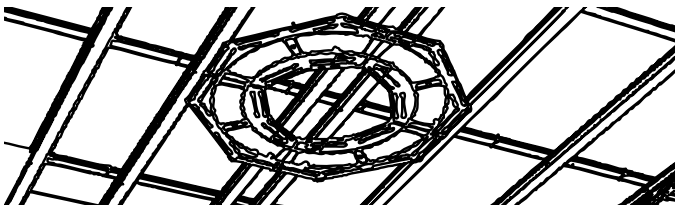
● DRYWALL WITH FLANGE



● DRYWALL SPACKLE FLANGE



EASY INSTALLATION WITH MOUNTING PLATES



i Patent pending

Mounting plates are installed behind the sheetrock to guide the cutting for installation of the luminaire housing using a rotary saw. The plates also allow for the layout of the luminaires to be confirmed before the final cuts are made.

- i** Installation sheets for all mounting options will be available shortly at: www.axislighting.com

● CONSTRUCTION

Housing Walls	Die formed cold rolled sheet steel (20 gauge)
Housing Top	Die formed cold rolled sheet steel (18 gauge)
Interior Brackets	Die formed cold rolled sheet steel (16 gauge)
Mounting Plates	Die formed cold rolled sheet steel (22 gauge)
Mounting brkts.	Die formed cold rolled sheet steel (16 gauge)
Joining brackets.	Die formed cold rolled sheet steel (16 gauge)
Incap & Cross Brkt.	Die cast aluminum
Flanges	Extruded aluminum

● WEIGHT

Approximately 5.4lbs/ft = 2.4kg/ft (linear)

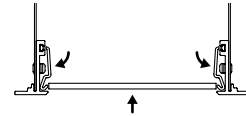
● PERFORMANCE PER LINEAR FOOT

NOMINAL LUMEN OUTPUT	INPUT WATTS*	EFFICACY
400 lm/ft	4.9 W/ft	81 lm/W
700 lm/ft	9 W/ft	77 lm/W

* Based on a 2 foot luminaire using one driver
Please consult factory for customized lumen output and wattage.

● LENS

Spotless Lens Highly transmissive laser cut polycarbonate 0.060" thick with easy snap installation.



i Patent pending

● ELECTRICAL

Lutron driver* LDE1 - EcoSystem H-Series (1%)
LDE5 - EcoSystem 5-Series (5%)
LTE - Hi-Lume® A-series 2Wires Forward Phase (1%)
*Consult factory

Other drivers DALI - Digital Addressable Lighting Interface
DMX - Digital Multiplex
LV - line voltage - Advance Mark 10
Xitanium SR - For wireless sensor
POE (Power over Ethernet) - Low Voltage Lighting System.

Emergency Integral emergency battery pack or emergency circuit optional.

Input Voltage 120V, 277V, 347V, UNV.


Flex Whip Shipped in a separate box for contractors to install

- i** Incorporating these components may have limitations or affect the length of the luminaire. Please contact factory for more details.

● FINISH

Highly reflective, white powder coat finish paint for high efficiency. Matte texture to diffuse glare and lamp image on the surface within the optical chamber exterior. Custom finishes are also available.

● APPROVALS

Certified to CSA standards 
Chicago Plenum Certified (CCEA) on request
Meets NYC requirements
Suitable for damp locations.
IC Rated (Insulated ceiling)

● RECOGNITIONS

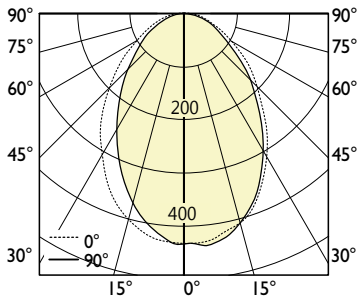
IES 2013- Recognized as a unique and significant advancement to the art and science of Lighting.
NGL 2013- Winner in the "Recognized" category.

● WARRANTY

Axis Lighting will warrant defective LEDs, boards, and drivers for 5 years from date of purchase. Warranty is valid if luminaire is installed and used according to specifications. If defective, Axis will send replacement boards or drivers at no cost along with detailed replacement instructions and instructions on how to return defective components to Axis.

PHOTOMETRIC DATA

PHOTOMETRIC CURVE



Luminaire Lumens: 2483 lm
Input Watts: 30.24 W
Efficacy: 71.1 lm/W

IES FILE:
 (D08 ARC Section)
 SK-B3-MF-ARC-AL1'-11 9/16"-400-80-40-SO-AL-UNV.ies

TESTED ACCORDING TO IES LM-79-2008

CANDELA DISTRIBUTION

Vertical Angle	Horizontal Angles				
	0	22.5	45	67.5	90
0	432	432	432	432	432
5	437	436	434	432	430
15	407	408	409	408	401
25	341	344	350	353	345
35	256	261	271	279	272
45	178	181	192	202	197
55	115	118	125	134	131
65	70	71	76	81	80
75	34	35	38	42	41
85	5	5	7	9	10
90	0	0	0	0	0

ZONAL LUMENS

Zone	Lumens
0	
0-10	40
10-20	110
20-30	151
30-40	158
40-50	138
50-60	106
60-70	71
70-80	37
80-90	8
90	

LUMINANCE DATA (CD/M²)

Vertical Angle	Horizontal Angles		
	0	45	90
45	4933	5321	5459
55	3929	4270	4475
65	3246	3524	3709
75	2574	2877	3104
85	1124	1574	2248

i All IES files are available for download at: www.axislighting.com

i Patent pending