

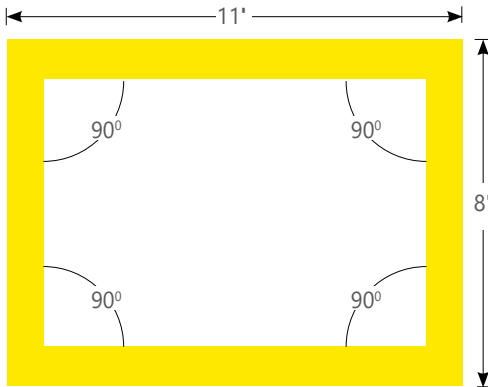


Project _____

Type _____

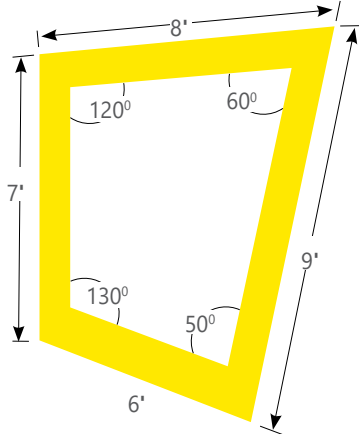
Notes _____

TOP VIEW SHOWN



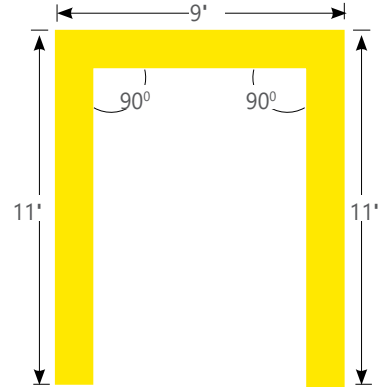
SCWPAT	REC	90+90+90+90	38'
PRODUCT ID	PATTERNS	CORNER ANGLE	LENGTH/FT

TOP VIEW - Rectangle Corner Pattern



SCWPAT	ASO	120+60+50+130	30'
PRODUCT ID	PATTERNS	CORNER ANGLE	LENGTH/FT

TOP VIEW - Corner Pattern



SCWPAT	OPR	90+90	31'
PRODUCT ID	PATTERNS	CORNER ANGLE	LENGTH/FT

TOP VIEW - Open Shape Corner Pattern

Ordering Guide

SCRPAT						
PRODUCT ID		PATTERNS	CORNER ANGLE	NOM. LUMENS/FT UP (OPT.)	NOM. LUMENS/FT DOWN (OPT.)	CRI
SCWDPAT	Sculpt Wall Direct Patterns	SQ square regular lit corners	90 90 degrees	300 300 lm/ft - Min.	300 300 lm/ft - Min.	80 80 CRI
SCWIPAT	Sculpt Wall Indirect Patterns	REC rectangle regular lit corners	# other angle	750 750 lm/ft - Max.	500 500 lm/ft - Max.	90 90 CRI
SWDIPAT	Sculpt Wall Direct/Indirect Patterns	ASO other shape regular lit corners				
		OPR open shape regular lit corners				
Outputs between listed min and max are available. Consult factory for outputs outside of the listed range.						

COLOR TEMP.	SHIELDING UP	SHIELDING DOWN	LENGTH/FT	SPECIFY LENGTH	FINISH	VOLTAGE
27 2700 K	NO No shielding *	FL flush	# total pattern length	NL nominal	AP aluminum paint	120 120 V
30 3000 K		0.5M 0.5" StepLens, lum. end cap		EX exact	W white	277 277 V
35 3500 K		0.5P 0.5" StepLens, opaque end cap			BLK black	347 347 V ⁽¹⁾
40 4000 K		2M 2" StepLens, lum. end cap 2P 2" StepLens, opaque end cap +BL(#) Blank (for flush option only)			C custom	UNV universal
* For Direct only		All lens options use spotless lens				(1) D dimming (0-10V) 5% standard

DRIVER	CIRCUITS	BATTERY - REMOTE (OPT.)	OTHER (OPT.)	IC CONTROL (OPTIONAL)	CUSTOM
DP dimming (0-10V) 1%	1 1 circuit	B# remote battery pack	F fuse ⁽⁶⁾	DS# daylight sensor ⁽⁷⁾	C custom
D dimming (0-10V) 5% 347V standard ⁽²⁾	2 2 circuits		FW(#) flex whip (6' std)	DOS# occupancy sensor ⁽⁷⁾	
LT lutron ⁽³⁾	+E(#) emergency section ⁽⁵⁾		CP Chicago plenum	DOS# daylight & occupancy sensor ⁽⁷⁾	
BI bi-level dimming	+NL(#) night light section ⁽⁵⁾			EN# Enlighted integral ⁽⁷⁾	
O other ⁽⁴⁾	+GTD(#) generator transfer device ⁽⁵⁾			ENR# Enlighted remote ⁽⁸⁾	
(2) For 347V only (3) Specify system (4) Please consult factory; see page 2	(5) Specify quantity	Remote only; Please consult factory	(6) Requires 120V or 277V	(7) For flush option only; Please consult factory (8) Please consult factory For StepLens, please consult factory. Specify quantity. Requires 7" blank See pages 4-5 for more details	Please specify

● LIT CORNER FEATURES

The Lit Corner system allows continuous illumination all the way through the corner section

To optimize corner illumination, lit corners are created as integral components of the linear sections. Linear sections have mitered ends that connect to corresponding mitered ends of neighboring linear sections.

Illuminated Corners are more complex. Because the corner is fully illuminated, the corner is not independent of the straight sections, but integrated into the straight segment's housing. The corner is mitered, allowing a seamless line of light.

There are three types of illuminated corner available:

1. **Regular Illuminated Corner** - This is a fully illuminated 90 degree corner that lies in the same plane, for example, the ceiling or wall.
2. **Inside Illuminated Corner.** This corner runs up the wall, then across the ceiling. (Please use the "Inside & Outside lit corner patterns spec sheet" to specify and Inside lit corner).
3. **Outside Illuminated Corner** - This corner would run across a ceiling then up a bulkhead. (Please use the "Inside & Outside lit corner patterns spec sheet" to specify and Outside lit corner).

TIP: Provide sketches illustrating corner types and locations required.

