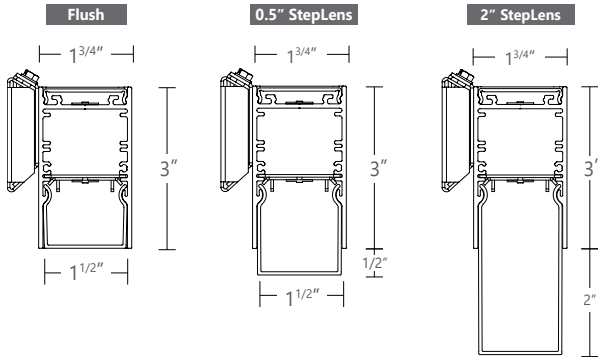


Flush lens shown



Project _____

Type _____

Notes _____

PERFORMANCE PER LINEAR FOOT AT 3500K

LENS	NOMINAL LUMEN OUTPUT		INPUT WATTS*	EFFICACY
	UPLIGHT	DOWNLIGHT		
FLUSH	750 lm/ft	500 lm/ft	11.9 W/ft	105 lm/W
0.5"	750 lm/ft	500 lm/ft	11.33 W/ft	110 lm/W
2"	750 lm/ft	500 lm/ft	11.25 W/ft	111 lm/W
Batwing	640 lm/ft		5.8 W/ft	103 lm/W

Please consult factory for custom lumen output and wattage.



*Check the latest update on the DLC website for complete information. Not all versions may be DLC qualified. See page 3 for DLC Approved options



Ordering Guide

SCWDI	PRODUCT ID	NOM. LUMENS/FT UP	NOM. LUMENS/FT DOWN	CRI	COLOR TEMP.	SHIELDING UP	SHIELDING DOWN
Wall Direct/Indirect		300 300 lm/ft - Minimum 750 750 lm/ft - Maximum	300 300 lm/ft - Minimum 500 500 lm/ft - Maximum	80 80 CRI 90 90 CRI	27 2700 K 30 3000 K 35 3500 K 40 4000 K	SO spotless lens BW batwing lens	FL flush 0.5M 0.5" StepLens, lum. end cap 0.5P 0.5" StepLens, opaque end cap 2M 2" StepLens, lum. end cap 2P 2" StepLens, opaque end cap +BL(#) Blank (for flush option only)
Outputs between listed min and max are available. Consult factory for outputs outside of the listed range.				Applies to both UP & DOWN.	Applies to both UP & DOWN.	All lens options use spotless lens	

LINEAR LENGTH	FINISH	VOLTAGE	DRIVER	CIRCUITS
4 4' 6 6' 8 8' 12 12' S# System Run	AP aluminum paint W white BLK black C custom	120 120 V 277 277 V 347 347 V UNV universal	DP dimming (0-10V) 1% LT lutron (1) BI bi-level dimming O other (2)	1 1 circuit (3) 2 2 circuits (4) +E(#) emergency section (5) +NL(#) night light section (5) +GTD(#) generator transfer device (5)
SCULPT accommodates any length. Metric lengths also available, please consult factory.		Applies to UP & DOWN	Applies to UP & DOWN (1) Specify system (2) Please consult factory; see page 2	(3) Control UP & DOWN lights together (4) Control UP & DOWN lights separately. Minimum 3 ft length. (5) Specify quantity

BATTERY (OPTIONAL)	OTHER (OPTIONAL)	IC CONTROLS (OPTIONAL)	CUSTOM (OPTIONAL)
B# battery pack	F fuse (6) FW(#) flex whip (6' std)	DS# daylight sensor (7) OS# occupancy sensor (7) DOS# daylight & occupancy sensor (7) EN# Enlighted integral (7) ENR# Enlighted remote (8) WC# wireless control dimming	C custom
5' minimum. For lengths under 5' battery pack is remote only. Not available with 347V. Please consult factory	(6) Requires 120V or 277V	(7) For flush option only; Please consult factory. (8) Please consult factory. Applies to both UP & DOWN. Specify quantity. Requires 7" blank. See integrated controls guide for more details.	Please specify

LED SYSTEM

CRI	Minimum 80 or 90 color rendering index
CCT	Choice of 3000K, 3500K and 4000K color temperature with a great color consistency (within 3.0-step MacAdam ellipse).
LED life	Minimum 50,000h with 85% of lumen maintenance in 25°C ambient temperature, in compliance with IES LM-80 testing measurements.
Thermal Management	Aluminum housing acting as the heat sink to maximize life.

CONSTRUCTION

Housing	Extruded aluminum (0.080" nominal) up to
End Cap	Die cast aluminum
Interior Brackets	Die formed sheet steel (20 gauge)
Reflectors	White powder coated sheet steel (22 gauge)
Lenses	Extruded acrylic (0.060" nominal) - injection moulded
Hanger	Die cast aluminum
Suspension	Sliding aircraft cable along product length
Cable Grips	Quick connecting / release

ELECTRICAL

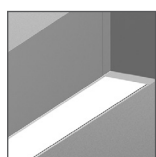
Lutron driver*	LDE1 - EcoSystem H-Series (1%) LDE5 - EcoSystem 5-Series (5%) LTE - Hi-Lume® A-series 2Wires Forward Phase (1%) *Consult factory
Other drivers	DALI - Digital Addressable Lighting Interface DMX - Digital Multiplex LV - line voltage - Advance Mark 10 Xitanium SR - For wireless sensor POE (Power Over Ethernet) - Low Voltage Lighting System.
Emergency	Integral emergency battery pack or emergency circuit optional.
Input Voltage	120V, 277V, 347V, UNV.

i Incorporating these components may have limitations or affect the length of the luminaire. Please contact factory for more details.

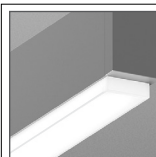
WARRANTY

Axis lighting will warrant defective LEDs, boards, and drivers for 5 years from date of purchase. Warranty is valid if luminaire is installed and used according to specifications. If defective, Axis will send replacement boards or drivers at no cost along with detailed replacement instructions and instructions on how to return defective components to Axis.

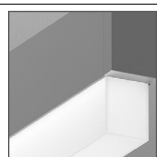
SHIELDING - Frosted acrylic Spotless lens



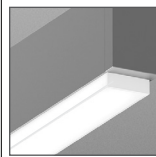
FL flush



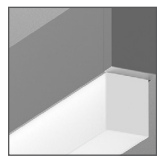
0.5M 0.5" StepLens, lum. end cap



2M 2" StepLens, lum. end cap



0.5P 0.5" StepLens, opaque end cap



2P 2" StepLens, opaque end cap



WEIGHT

Wall Direct/Indirect 4 ft	8 lbs / 3.6 kg
Wall Direct/Indirect 8 ft	16 lbs / 7.3 kg
Wall Direct/Indirect 12 ft	24 lbs / 10.9 kg

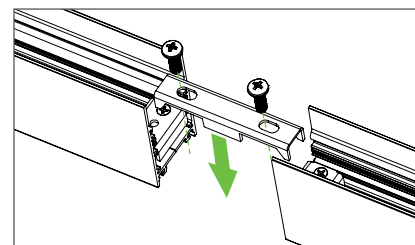
FINISH

Aluminum paint, powder coated and custom finishes are also available.

JOINERS

In order to allow very long runs of SCULPT luminaires, Axis has developed an effective joining system. Special care has been taken to maximize the performance of the joiner for each SCULPT option.

NOTE: Mount each system segment individually. Do not assemble system prior to mounting.



i Allow a minimum of 6" between end of long runs and vertical wall




*Check the latest update on the DLC website for complete information. Not all versions may be DLC qualified.

DLC Approved Options

OUTPUT UP	OUTPUT DOWN	CRI	LUMENS	SHIELDING	LENGTH	FINISH	VOLTAGE	DRIVER
300 lm/ft	300 lm/ft	80	3000 K	FL	4'	white	universal	DP
500 lm/ft	400 lm/ft		3500 K	0.5M	5'			
750 lm/ft	500 lm/ft		4000 K	2M	6'			
					7'			
					8'			
					9'			
					10'			
					11'			
					12'			

APPROVALS

Certified to UL and CSA standards  Suitable for damp locations.

SYSTEM (#)

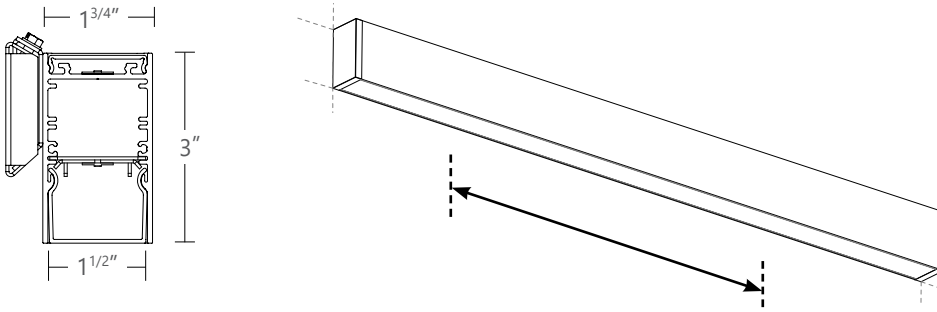
SCULPT linear systems, with the use of a strong profile, allow for a nearly hair thin connection system of continuous runs. Lengths of 4', 8', 12' as well as custom lengths are available. Runs of SCULPT that are greater than 12' in length are designated as systems (S#). This means that the run is comprised of a combination of 4', 8' and/or 12' sections to be assembled on site using our joining system. For more information on systems and joining.

OTHER MOUNTING OPTIONS

SCULPT LED is also available with surface recessed, pendant and recessed vertical mounted options.

i Specification sheets and installation sheets for all mounting for SCULPT luminaires are available for download at www.axislighting.com

● MOUNTING SPACING

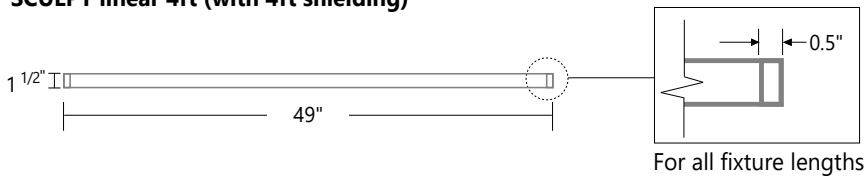


SCULPT 4' (32" C.C.)
 SCULPT 8' (80" C.C.)
 SCULPT 12' (128" C.C.)

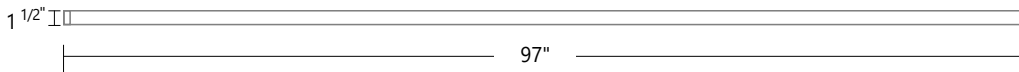
NOTE: Use stud if possible for mounting

● LENGTHS

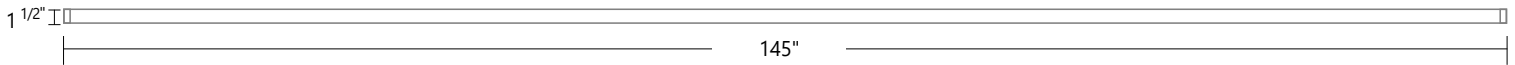
SCULPT linear 4ft (with 4ft shielding)



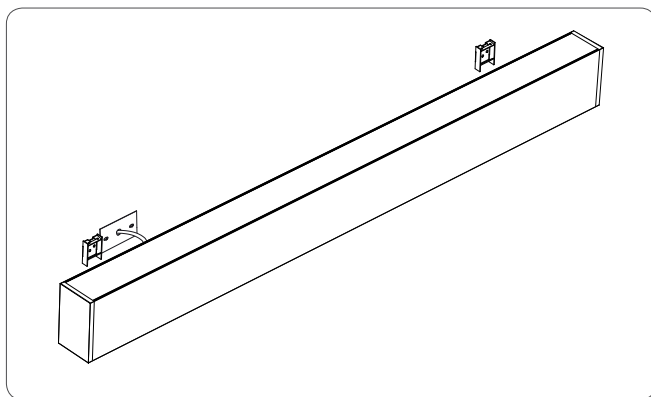
SCULPT linear 8ft Continuous (with 8ft shielding)



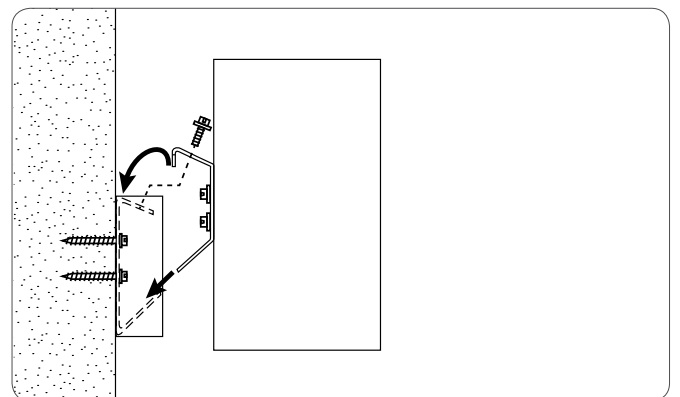
SCULPT linear 12ft (with 4ft shielding)



● MOUNTING DETAILS



MOUNTING BRACKETS



SIDE VIEW

● OTHER MOUNTING OPTIONS

SCULPT LED is also available with surface, recessed, pendant and recessed vertical mounted options.

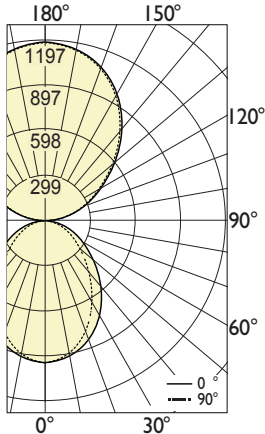
i Specification sheets and installation sheets for all mounting for SCULPT luminaires are available for download at www.axislighting.com

PHOTOMETRIC DATA

Uplight 60%
750 lm/ft
Downlight 40% with Flush lens
500 lm/ft



PHOTOMETRIC CURVE



Lumen/ft up: 750 lm/ft
Lumen/ft down: 500 lm/ft
Total Lumens: 5004 lm (for 4ft)
Input Watts: 47.6 W
Efficacy: 105 lm/W

80 CRI shown. For 90 CRI, divide wattage by 0.8 and multiply efficacy by 0.8.
IES FILE:SCWDI-750-500-80-35-F-4-W-UNV-D-1.IES

TESTED ACCORDING TO IES LM-79-2008

CANDELA DISTRIBUTION

Vertical Angle	Horizontal Angles				
	0	22.5	45	67.5	90
0	943	943	943	943	943
5	932	938	934	938	940
15	884	887	872	860	859
25	788	780	750	723	715
35	656	641	599	559	544
45	508	491	446	408	392
55	361	346	310	279	266
65	227	216	193	174	167
75	110	105	96	88	86
85	21	21	23	24	23
90	0	1	3	4	4
95	37	40	45	47	47
105	171	171	172	170	168
115	334	332	328	327	322
125	514	514	507	503	497
135	705	705	698	691	686
145	885	883	877	870	866
155	1030	1031	1027	1019	1017
165	1132	1131	1133	1131	1130
175	1185	1191	1187	1183	1181
180	1193	1193	1193	1193	1193

ZONAL LUMENS

Zone	Lumens
0	
0-10	89
10-20	245
20-30	345
30-40	375
40-50	346
50-60	280
60-70	194
70-80	103
80-90	27
90	51
90-100	181
100-110	326
110-120	454
120-130	537
130-140	548
140-150	472
150-160	319
160-170	113
170-180	109
180	

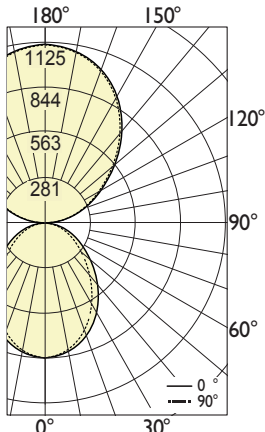
LUMINANCE DATA (cd/m²)

Vertical Angle	Horizontal Angles		
	0	45	90
45	14871	13045	11453
55	13026	11161	9585
65	11088	9429	8163
75	8767	7698	6843
85	4868	5504	5504

Uplight 60%
750 lm/ft
Downlight 40% with 0.5" StepLens
500 lm/ft



PHOTOMETRIC CURVE



Lumen/ft up: 750 lm/ft
Lumen/ft down: 500 lm/ft
Total Lumens: 5005 lm (for 4ft)
Input Watts: 45.3 W
Efficacy: 110 lm/W

80 CRI shown. For 90 CRI, divide wattage by 0.8 and multiply efficacy by 0.8.
IES FILE:SCWDI-750-500-80-35-0.5M-4-W-UNV-D-1.IES

TESTED ACCORDING TO IES LM-79-2008

CANDELA DISTRIBUTION

Vertical Angle	Horizontal Angles				
	0	22.5	45	67.5	90
0	857	857	857	857	857
5	848	852	850	856	859
15	801	808	802	795	795
25	711	716	699	677	669
35	589	590	565	539	529
45	447	455	437	418	410
55	314	328	323	313	308
65	195	215	225	222	218
75	96	122	141	142	140
85	23	49	74	82	82
90	9	34	61	73	74
95	46	70	95	105	106
105	168	184	204	209	208
115	318	329	343	347	344
125	485	492	503	505	501
135	663	667	673	674	670
145	831	830	834	835	831
155	968	969	971	967	963
165	1064	1064	1068	1067	1065
175	1112	1119	1118	1113	1111
180	1121	1121	1121	1121	1121

ZONAL LUMENS

Zone	Lumens
0	
0-10	81
10-20	225
20-30	320
30-40	352
40-50	336
50-60	286
60-70	216
70-80	139
80-90	73
90-100	97
100-110	209
110-120	335
120-130	446
130-140	517
140-150	520
150-160	446
160-170	300
170-180	106
180	

LUMINANCE DATA (cd/m²)

Vertical Angle	Horizontal Angles		
	0	45	90
45	12950	10432	9167
55	11175	8818	7722
65	9360	7428	6426
75	7358	6114	5200
85	4808	4909	4288

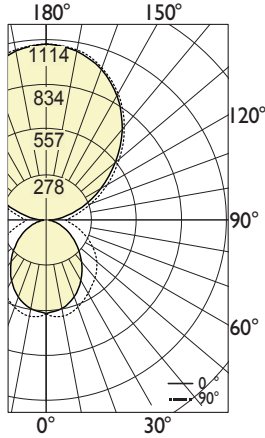
All IES files are available for download at: www.axislighting.com

PHOTOMETRIC DATA

Uplight 60%
750 lm/ft
Downlight 40% with 2" StepLens
500 lm/ft



PHOTOMETRIC CURVE



Lumen/ft up: 750 lm/ft
Lumen/ft down: 500 lm/ft
Total Lumens: 5005 lm (for 4ft)
Input Watts: 45 W
Efficacy: 111 lm/W

80 CRI shown. For 90 CRI, divide wattage by 0.8 and multiply efficacy by 0.8.
IES FILE: SCWDI-750-500-80-35-2M-4-W-UNV-D-1.IES

TESTED ACCORDING TO IES LM-79-2008

CANDELA DISTRIBUTION

Vertical Angle	Horizontal Angles				
	0	22.5	45	67.5	90
0	587	587	587	587	587
5	577	588	596	605	609
15	542	573	588	598	602
25	478	521	542	554	557
35	391	445	477	497	503
45	300	363	408	439	448
55	213	283	341	372	378
65	138	210	270	296	296
75	74	144	201	217	213
85	27	91	140	149	144
90	16	72	120	129	125
95	51	100	145	153	148
105	169	208	241	243	237
115	318	347	370	372	366
125	482	505	523	525	520
135	658	675	688	689	684
145	824	834	843	847	843
155	957	967	974	974	970
165	1051	1057	1064	1067	1064
175	1099	1109	1108	1104	1100
180	1109	1109	1109	1109	1109

ZONAL LUMENS

Zone	Lumens
0	
0-10	57
10-20	164
20-30	246
30-40	292
40-50	306
50-60	289
60-70	246
70-80	187
80-90	129
90-100	139
100-110	238
110-120	355
120-130	460
130-140	525
140-150	525
150-160	447
160-170	299
170-180	105
180	

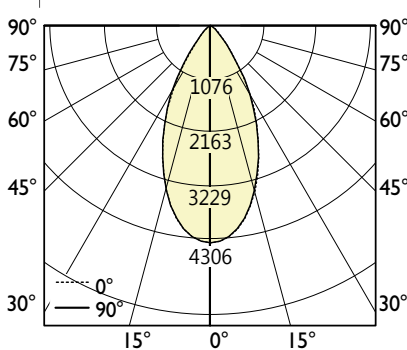
LUMINANCE DATA (cd/m²)

Vertical Angle	Horizontal Angles		
	0	45	90
45	8407	6111	5675
55	7247	5199	4758
65	6182	4331	3811
75	5137	3523	2897
85	4376	2797	2140

PHOTOMETRIC DATA

Micro Downlight - 3ft
1000 lm/ft

PHOTOMETRIC CURVE



Direct Output: 1000 lm/ft
Total Lumens: 3262 lm (for 3ft)
Input Watts: 32.06 W
Efficacy: 102 lm/W

IES FILE: SCULPT-1000-90-MICROLIGHT-3.IES
TESTED ACCORDING TO IES LM-79-2008

CANDELA DISTRIBUTION

Vertical Angle	Horizontal Angles				
	0	22.5	45	67.5	90
0	4306	4306	4306	4306	4306
5	4202	4200	4199	4199	4198
15	3389	3397	3400	3391	3378
25	2162	2164	2149	2161	2151
35	896	969	1060	1016	933
45	266	276	320	285	273
55	81	83	63	84	84
65	1	3	10	3	0
75	0	0	0	0	0
85	0	0	0	0	0
90	0	1	0	0	0

ZONAL LUMENS

Zone	Lumens
0	
0-10	391
10-20	940
20-30	985
30-40	626
40-50	238
50-60	74
60-70	9
70-80	0
80-90	0
90	

LUMINANCE DATA (cd/m²)

Vertical Angle	Horizontal Angles		
	0	45	90
45	10571	12714	10833
55	3962	3107	4125
65	35	634	0
75	0	0	0
85	0	0	0

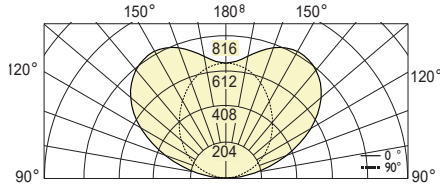
All IES files are available for download at: www.axislighting.com

All IES files are available for download at: www.axislighting.com

● PHOTOMETRIC DATA

Uplight
640 lm/ft

PHOTOMETRIC CURVE



Lumen/ft up: 640 lm/ft
Total Lumens: 2389 lm (for 4ft)
Input Watts: 23.1 W
Efficacy: 103 lm/W

80 CRI shown. For 90 CRI, divide wattage by 0.8 and multiply efficacy by 0.8.

IES FILE:SCI-B4-640-80-35-BW-4-W-UNV-D-1.IES

TESTED ACCORDING TO IES LM-79-2008

CANDELA DISTRIBUTION

Vertical Angle	Horizontal Angles				
	0	22.5	45	67.5	90
90	10	12	9	2	1
95	80	78	64	27	24
105	258	252	218	105	107
115	454	445	388	195	199
125	630	613	533	280	283
135	751	727	632	354	367
145	810	783	686	412	449
155	806	779	697	456	532
165	737	720	675	486	602
175	658	656	649	501	640
180	646	646	646	646	646

ZONAL LUMENS

Zone	Lumens
90	
90-100	63
100-110	201
110-120	334
120-130	420
130-140	438
140-150	393
150-160	300
160-170	181
170-180	59
180	

i All IES files are available for download at: www.axislighting.com