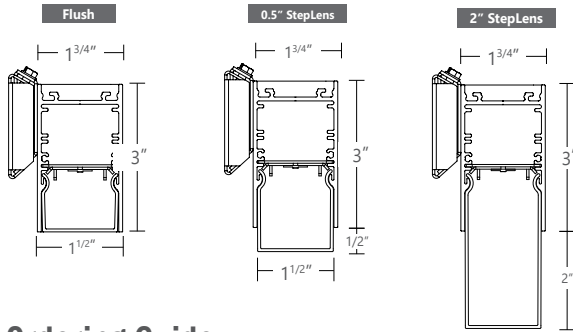


Wall version shown



Project _____

Type _____

Notes _____

PERFORMANCE PER LINEAR FOOT AT 3500K

NOMINAL LUMEN OUTPUT	INPUT WATTS	EFFICACY
300 lm/ft	3.25 W/ft*	93 lm/W
400 lm/ft	4.4 W/ft*	91 lm/W
500 lm/ft	5.55 W/ft*	90 lm/W

* Based on a 4 foot flush luminaire using one driver



*Check the latest update on the DLC website for complete information. Not all versions may be DLC qualified. See page 3 for DLC Approved options



Ordering Guide

SCWD	PRODUCT ID	NOM. LUMENS/FT	CRI	COLOR TEMP.	SHIELDING
SCWD	Wall Direct	300 300 lm/ft - Minimum 500 500 lm/ft - Maximum	80 80 CRI 90 90 CRI	27 2700 K 30 3000 K 35 3500 K 40 4000 K	FL flush 0.5M 0.5" StepLens, lum. end cap 0.5P 0.5" StepLens, opaque end cap 2M 2" StepLens, lum. end cap 2P 2" StepLens, opaque end cap +BL(#) Blank (for flush option only)
Outputs between listed min and max are available. Consult factory for outputs outside of the listed range.					All lens options use spotless lens

LINEAR LENGTH	FINISH	VOLTAGE	DRIVER	CIRCUITS
2 2'* 3 3' 4 4' 6 6' 8 8' 12 12' S# System Run	AP aluminum paint W white BLK black C custom	120 120 V 277 277 V 347 347 V UNV universal	DP dimming (0-10V) 1% LT lutron (1) BI bi-level dimming O other (2)	1 1 circuit 2 2 circuits +E(#) emergency section (3) +NL(#) night light section (3) +GTD(#) generator transfer device (3)
*Consult factory SCULPT accommodates any length. Metric lengths also available, please consult factory.			(1) Specify system (2) Please consult factory; see page 2	Minimum 3 ft length. (3) Specify quantity

BATTERY (OPTIONAL)	OTHER	IC CONTROLS (OPTIONAL)	CUSTOM (OPTIONAL)
B# battery pack 4' sections	F fuse (4) FW(#) flex whip (6' std)	DS# daylight sensor (5) OS# occupancy sensor (5) DOS# daylight & occupancy sensor (5) EN# Enlighted integral (5) ENR# Enlighted remote (6) WC# wireless control dimming	C custom
Not available with 347V Please consult factory	(4) Requires 120V or 277V	(7) For flush option only. Please consult factory. (8) Please consult factory. Specify quantity. Requires 7" blank. See integrated controls guide for more details.	Please specify

LED SYSTEM

- CRI** Minimum 80 or 90 color rendering index
- CCT** Choice of 3000K, 3500K and 4000K color temperature with a great color consistency (within 3.0-step MacAdam ellipse).
- LED life** Minimum 50,000h with 85% of lumen maintenance in 25°C ambient temperature, in compliance with IES LM-80 testing measurements.
- Thermal Management** Aluminum housing acting as the heat sink to maximize life.

CONSTRUCTION

- Housing** Extruded aluminum (0.080" nominal) up to
- End Cap** Die cast aluminum
- Interior Brackets** Die formed sheet steel (20 gauge)
- Reflectors** White powder coated sheet steel (22 gauge)
- Lenses** Extruded acrylic (0.060" nominal) - injection moulded
- Hanger** Die cast aluminum
- Suspension** Sliding aircraft cable along product length
- Cable Grips** Quick connecting / release

ELECTRICAL

- Lutron driver*** LDE1 - EcoSystem H-Series (1%)
LDE5 - EcoSystem 5-Series (5%)
LTE - Hi-Lume® A-series 2Wires Forward Phase (1%)
*Consult factory

- Other drivers** DALI - Digital Addressable Lighting Interface
DMX - Digital Multiplex
LV - line voltage - Advance Mark 10
Xitanium SR - For wireless sensor

- Emergency** Integral emergency battery pack or emergency circuit optional.

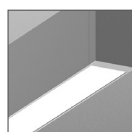
- Input Voltage** 120V, 277V, 347V, UNV.

i Incorporating these components may have limitations or affect the length of the luminaire. Please contact factory for more details.

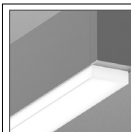
WARRANTY

Axis lighting will warrant defective LEDs, boards, and drivers for 5 years from date of purchase. Warranty is valid if luminaire is installed and used according to specifications. If defective, Axis will send replacement boards or drivers at no cost along with detailed replacement instructions and instructions on how to return defective components to Axis.

SHIELDING - Frosted acrylic Spotless lens



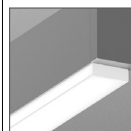
FL flush



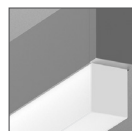
0.5M 0.5" StepLens, lum. end cap



2M 2" StepLens, lum. end cap



0.5P 0.5" StepLens, opaque end cap



2P 2" StepLens, opaque end cap



WEIGHT

- Wall Direct 4 ft** 8 lbs / 3.6 kg
- Wall Direct 8 ft** 16 lbs / 7.3 kg
- Wall Direct 12 ft** 24 lbs / 10.9 kg

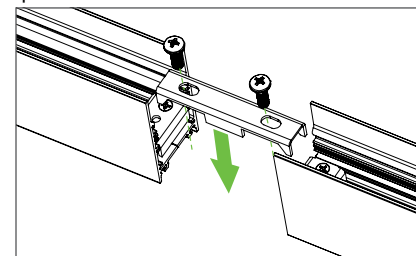
FINISH

Aluminum paint, powder coated and custom finishes are also available.

JOINERS

- i** In order to allow very long runs of SCULPT luminaires, Axis has developed an effective joining system. Special care has been taken to maximize the performance of the joiner for each SCULPT option.

NOTE: Mount each system segment individually. Do not assemble system prior to mounting.



- i** Allow a minimum of 6" between end of long runs and vertical wall

APPROVALS

Certified to UL and CSA standards
Suitable for damp locations.



*Check the latest update on the DLC website for complete information. Not all versions may be DLC qualified.

DLC Approved Options

OUTPUT	CRI	LUMENS	SHIELDING	LENGTH	FINISH	VOLTAGE	DRIVER
500 lm/ft	80	3000 K	0.5M	4'	white	universal	DP
		3500 K	2M	5'			
		4000 K	6'				
		7'					
		8'					
		9'					
10'							
11'							
12'							

SYSTEM (#)

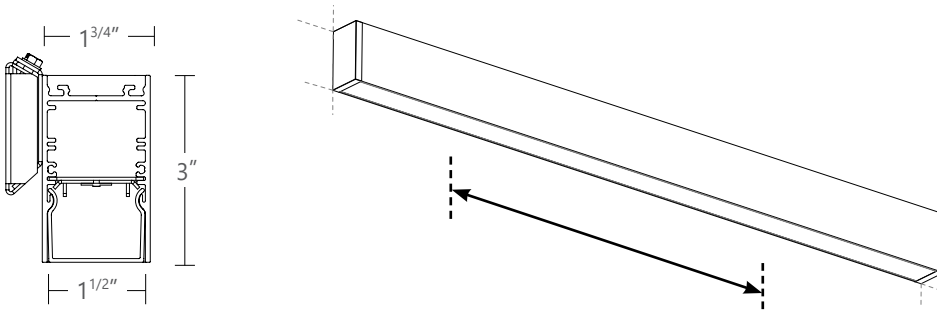
SCULPT linear systems, with the use of a strong profile, allow for a nearly hair thin connection system of continuous runs. Lengths of 4', 8', 12' as well as custom lengths are available. Runs of SCULPT that are greater than 12' in length are designated as systems (S#). This means that the run is comprised of a combination of 4', 8' and/or 12' sections to be assembled on site using our joining system. For more information on systems and joining.

OTHER MOUNTING OPTIONS

SCULPT LED is also available with surface recessed, pendant and recessed vertical mounted options.

- i** Specification sheets and installation sheets for all mounting for SCULPT luminaires are available for download at www.axislighting.com

● MOUNTING SPACING

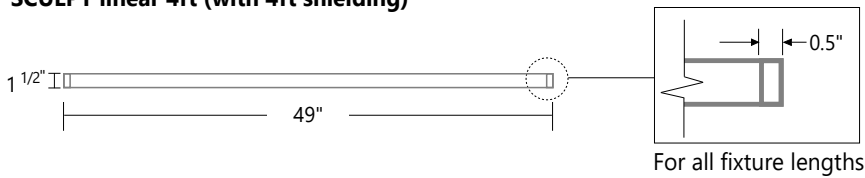


SCULPT 4' (32" C.C.)
 SCULPT 8' (80" C.C.)
 SCULPT 12' (128" C.C.)

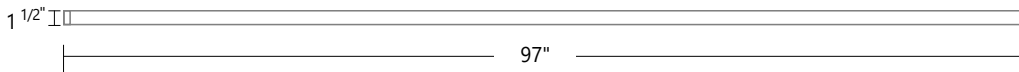
NOTE: Use stud if possible for mounting

● LENGTHS

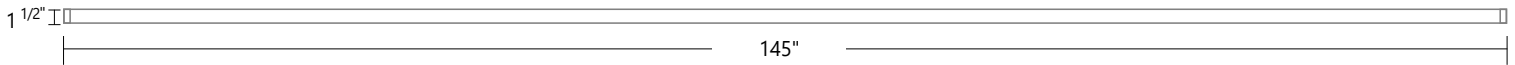
SCULPT linear 4ft (with 4ft shielding)



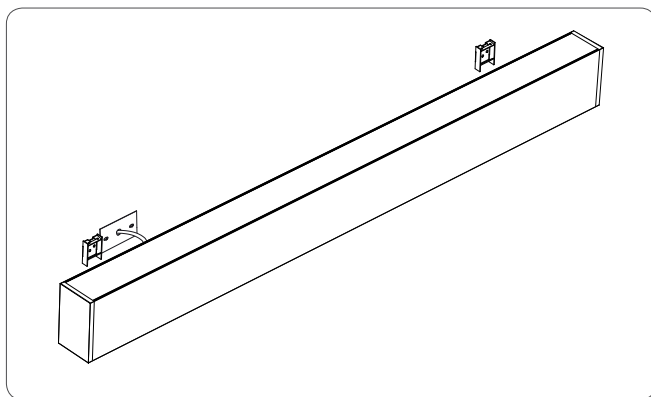
SCULPT linear 8ft Continuous (with 8ft shielding)



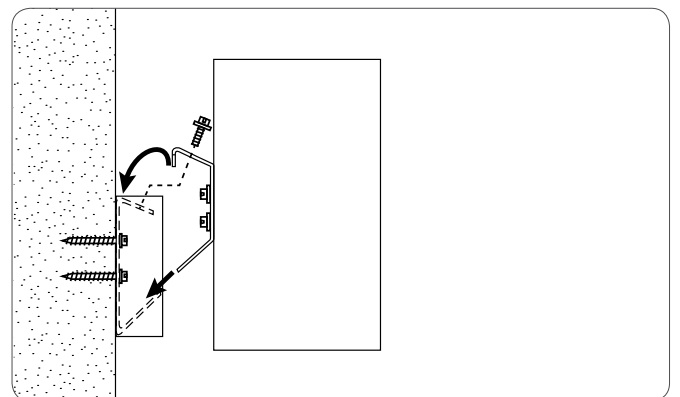
SCULPT linear 12ft (with 4ft shielding)



● MOUNTING DETAILS



MOUNTING BRACKETS



SIDE VIEW

● OTHER MOUNTING OPTIONS

SCULPT LED is also available with surface, recessed, pendant and recessed vertical mounted options.

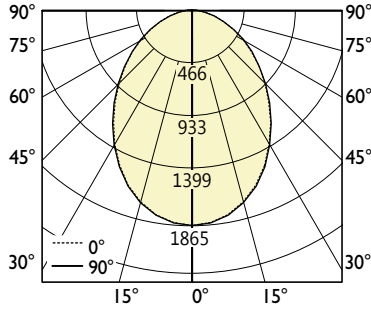
i Specification sheets and installation sheets for all mounting for SCULPT luminaires are available for download at www.axislighting.com

● PHOTOMETRIC DATA

500 lm/ft kit with Flush Lens



PHOTOMETRIC CURVE



Lumen/ft down: 500 lm/ft
Total Lumens: 3999 lm (for 8ft)
Input Watts: 43.4 W
Efficacy: 92 lm/W

80 CRI shown. For 90 CRI, divide wattage by 0.8 and multiply efficacy by 0.8.

IES FILE:SCWD-4000-80-35-F-4-W-UNV-D-1.IES

TESTED ACCORDING TO IES LM-79-2008

CANDELA DISTRIBUTION

Vertical Angle	Horizontal Angles				
	0	22.5	45	67.5	90
0	1865	1865	1865	1865	1865
5	1844	1844	1846	1844	1847
15	1720	1720	1723	1724	1724
25	1483	1485	1486	1491	1491
35	1187	1187	1187	1193	1194
45	891	888	887	894	899
55	625	620	619	626	631
65	396	393	391	396	399
75	201	199	199	201	202
85	52	54	55	54	51
90	4	4	4	4	3

ZONAL LUMENS

Zone	Lumens
0	
0-10	175
10-20	484
20-30	683
30-40	743
40-50	688
50-60	559
60-70	391
70-80	213
80-90	62
90	

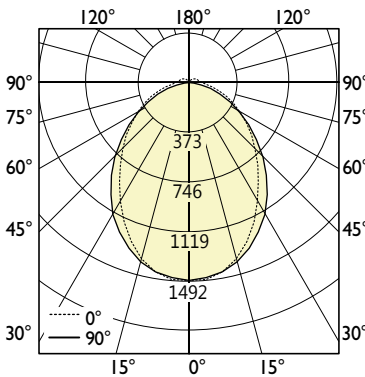
LUMINANCE DATA (cd/m²)

Vertical Angle	Horizontal Angles		
	0	45	90
45	13832	13762	13948
55	11951	11836	12065
65	10268	10152	10346
75	8510	8447	8574
85	6601	6978	6412

500 lm/ft with 0.5" StepLens



PHOTOMETRIC CURVE



Lumen/ft down: 500 lm/ft
Total Lumens: 4000 lm (for 8ft)
Input Watts: 42.2 W
Efficacy: 95 lm/W

80 CRI shown. For 90 CRI, divide wattage by 0.8 and multiply efficacy by 0.8.

IES FILE:SCWD-4000-80-35-0.5M-4-W-UNV-D-1.IES

TESTED ACCORDING TO IES LM-79-2008

CANDELA DISTRIBUTION

Vertical Angle	Horizontal Angles				
	0	22.5	45	67.5	90
0	1492	1492	1492	1492	1492
5	1478	1478	1478	1478	1481
15	1392	1393	1398	1396	1394
25	1218	1223	1229	1226	1219
35	1002	1010	1014	1012	1001
45	794	804	807	801	787
55	603	616	622	609	590
65	433	450	457	441	415
75	281	302	313	295	263
85	152	166	177	165	141
90	57	67	72	64	50
95	48	57	62	54	42
105	40	46	51	44	35
115	32	37	41	36	30
125	26	26	31	24	24
135	17	15	17	16	17
145	10	8	4	8	10
155	2	1	0	1	2
165	0	0	0	0	0
175	0	0	0	0	0
180	0	0	0	0	0

ZONAL LUMENS

Zone	Lumens
0	
0-10	140
10-20	392
20-30	563
30-40	632
40-50	618
50-60	547
60-70	440
70-80	313
80-90	169
90-100	60
100-110	47
110-120	36
120-130	24
130-140	13
140-150	5
150-160	1
160-170	0
180	

LUMINANCE DATA (cd/m²)

Vertical Angle	Horizontal Angles		
	0	45	90
45	11843	11847	11739
55	10913	10995	10677
65	10339	10572	9923
75	10360	10922	9687
85	13047	13460	12148

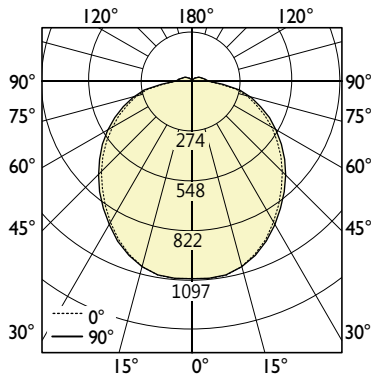
i All IES files are available for download at: www.axislighting.com

PHOTOMETRIC DATA

500 lm/ft with 2" StepLens



PHOTOMETRIC CURVE



Lumen/ft down: 500 lm/ft
Total Lumens: 4000 lm (for 8ft)
Input Watts: 39.8 W
Efficacy: 100 lm/W

80 CRI shown. For 90 CRI, divide wattage by 0.8 and multiply efficacy by 0.8.

IES FILE: SCWD-4000-80-35-2M-4-W-UNV-D-1.IES

TESTED ACCORDING TO IES LM-79-2008

CANDELA DISTRIBUTION

Vertical Angle	Horizontal Angles				
	0	22.5	45	67.5	90
0	1093	1093	1093	1093	1093
5	1093	1093	1095	1095	1096
15	1063	1073	1081	1074	1062
25	974	993	1001	989	965
35	857	881	888	871	839
45	734	766	771	751	708
55	606	644	655	629	577
65	473	514	533	502	446
75	341	378	399	369	319
85	172	197	215	193	157
90	98	120	133	116	88
95	84	103	117	102	76
105	66	81	93	80	60
115	52	65	75	63	48
125	43	49	57	48	39
135	29	31	37	34	30
145	20	20	23	21	21
155	11	10	11	11	12
165	3	2	1	2	3
175	0	0	0	0	0
180	0	0	0	0	0

ZONAL LUMENS

Zone	Lumens
0	
0-10	104
10-20	302
20-30	455
30-40	546
40-50	581
50-60	564
60-70	497
70-80	388
80-90	214
90-100	110
100-110	84
110-120	63
120-130	44
130-140	26
140-150	14
150-160	5
160-170	1
180	0

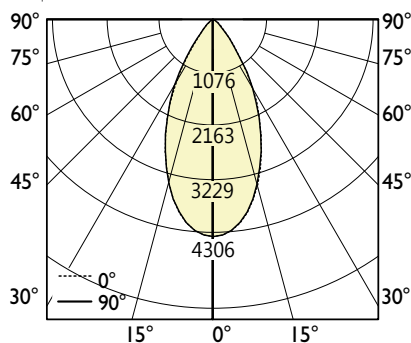
LUMINANCE DATA (cd/m²)

Vertical Angle	Horizontal Angles		
	0	45	90
45	9718	9632	9382
55	9310	9306	8870
65	8982	9102	8454
75	8802	8870	8252
85	7308	7182	6682

PHOTOMETRIC DATA

Micro Downlight - 3ft 1000 lm/ft

PHOTOMETRIC CURVE



Direct Output: 1000 lm/ft
Total Lumens: 3262 lm (for 3ft)
Input Watts: 32.06 W
Efficacy: 102 lm/W

IES FILE: SCULPT-1000-90-MICROLIGHT-3.IES

TESTED ACCORDING TO IES LM-79-2008

CANDELA DISTRIBUTION

Vertical Angle	Horizontal Angles				
	0	22.5	45	67.5	90
0	4306	4306	4306	4306	4306
5	4202	4200	4199	4199	4198
15	3389	3397	3400	3391	3378
25	2162	2164	2149	2161	2151
35	896	969	1060	1016	933
45	266	276	320	285	273
55	81	83	63	84	84
65	1	3	10	3	0
75	0	0	0	0	0
85	0	0	0	0	0
90	0	1	0	0	0

ZONAL LUMENS

Zone	Lumens
0	
0-10	391
10-20	940
20-30	985
30-40	626
40-50	238
50-60	74
60-70	9
70-80	0
80-90	0
90	0

LUMINANCE DATA (cd/m²)

Vertical Angle	Horizontal Angles		
	0	45	90
45	10571	12714	10833
55	3962	3107	4125
65	35	634	0
75	0	0	0
85	0	0	0

i All IES files are available for download at: www.axislighting.com