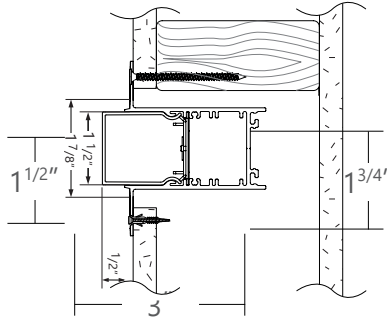


Project _____

Type _____

Notes _____



PERFORMANCE PER LINEAR FOOT AT 3500K

NOMINAL LUMEN OUTPUT	INPUT WATTS*	EFFICACY
300 lm/ft	3.25 W/ft	93 lm/W
400 lm/ft	4.4 W/ft	91 lm/W
500 lm/ft	5.55 W/ft	90 lm/W

* Based on a 4 foot flush luminaire using one driver



Ordering Guide

SCRV		NOM. LUMENS/FT		CRI		COLOR TEMP.		SHIELDING		
PRODUCT ID		300	500	80	90	27	30	35	40	
Recessed Vertical		300 lm/ft - Minimum	500 lm/ft - Maximum	80 CRI	90 CRI	2700 K	3000 K	3500 K	4000 K	FL flush 0.5M 0.5" StepLens, lum. end cap 0.5P 0.5" StepLens, opaque end cap 2M 2" StepLens, lum. end cap 2P 2" StepLens, opaque end cap +BL(#) Blank (for flush option only)
Outputs between listed min and max are available. Consult factory for outputs outside of the listed range.									All lens options use spotless lens	

LENGTH (FT)	FINISH	VOLTAGE	DRIVER	CIRCUITS
2 2'	W white	120 120 V	DP dimming (0-10V) 1%	1 1 circuit
3 3'	C custom	277 277 V	LT lutron ⁽¹⁾	2 2 circuits
4 4'		347 347 V	BI bi-level dimming	+E(#) emergency section ⁽³⁾
6 6'		UNV universal	O other ⁽²⁾	+NL(#) night light section ⁽³⁾
8 8'				+GTD(#) generator transfer device ⁽³⁾
12 12'				
S# System Run				
Metric lengths also available, please consult factory.			(1) Specify system (2) Please consult factory; see page 2	(3) Specify quantity

MOUNTING / SUSPENSION	BATTERY (OPTIONAL)	OTHER (OPTIONAL)	REMOTE CONTROLS (OPTIONAL)	CUSTOM (OPTIONAL)
D drywall flangeless DB slip-through bracket DS drywall spackle flange	B# battery pack 4' sections	F fuse ⁽⁴⁾ FW(#) flex whip (6' std)	DS# daylight sensor ⁽⁵⁾ OS# occupancy sensor ⁽⁵⁾ DOS# daylight & occupancy sensor ⁽⁵⁾ EN# Enlighted integral ⁽⁵⁾ ENR# Enlighted remote ⁽⁵⁾ WC# wireless control dimming	C custom
	Not available with 347V Please consult factory	(4) Requires 120V or 277V	(5) Please consult factory Specify quantity. Requires 7" blank See integrated controls guide for more details.	Please specify

● LED SYSTEM

CRI	Minimum 80 or 90 color rendering index
CCT	Choice of 3000K, 3500K and 4000K color temperature with a great color consistency (within 3.0-step MacAdam ellipse).
LED life	Minimum 50,000h with 85% of lumen maintenance in 25°C ambient temperature, in compliance with IES LM-80 testing measurements.
Thermal Management	Aluminum housing acting as the heat sink to maximize life.

● CONSTRUCTION

Housing	Extruded aluminum (0.080" nominal) up to
End Cap	Die cast aluminum
Interior Brackets	Die formed sheet steel (20 gauge)
Lenses	Extruded acrylic (0.060" nominal) - injection moulded
Hanger	Die cast aluminum
Suspension	Sliding aircraft cable along product length
Cable Grips	Quick connecting / release

● ELECTRICAL

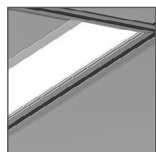
Lutron driver*	LDE1 - EcoSystem H-Series (1%) LDE5 - EcoSystem 5-Series (5%) LTE - Hi-Lume® A-series 2Wires Forward Phase (1%) *Consult factory
Other drivers	DALI - Digital Addressable Lighting Interface DMX - Digital Multiplex LV - line voltage - Advance Mark 10 Xitanium SR - For wireless sensor POE (Power over Ethernet) - Low Voltage Lighting System.
Emergency	Integral emergency battery pack or emergency circuit optional.
Input Voltage	120V, 277V, 347V, UNV.
Flex Whip	Shipped in a separate box for contractors to install

i Incorporating these components may have limitations or affect the length of the luminaire. Please contact factory for more details.

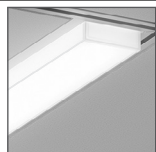
● WARRANTY

Axis lighting will warrant defective LEDs, boards, and drivers for 5 years from date of purchase. Warranty is valid if luminaire is installed and used according to specifications. If defective, Axis will send replacement boards or drivers at no cost along with detailed replacement instructions and instructions on how to return defective components to Axis.

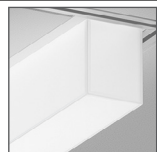
● SHIELDING - Frosted acrylic Spotless lens



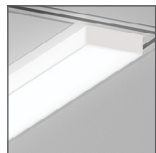
FL flush



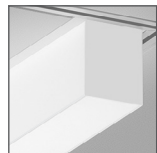
0.5M 0.5" StepLens, lum. end cap



2M 2" StepLens, lum. end cap



0.5P 0.5" StepLens, opaque end cap



2P 2" StepLens, opaque end cap



● FINISH

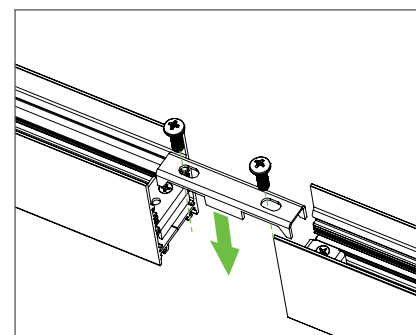
Powder coated and custom finishes are also available.

● WEIGHT

Recessed Vertical 4 ft	8 lbs / 3.6 kg
Recessed Vertical 8 ft	16 lbs / 7.3 kg
Recessed Vertical 12 ft	24 lbs / 10.9 kg

● JOINERS

In order to allow very long runs of SCULPT luminaires, Axis has developed an effective joining system. Special care has been taken to maximize the performance of the joiner for each SCULPT option.



NOTE: Mount each system segment individually. Do not assemble system prior to mounting.

i Allow a minimum of 6" between end of long runs and vertical wall

● APPROVALS

Certified to UL and CSA standards
Suitable for damp locations.
IC Rated (Insulated ceiling)

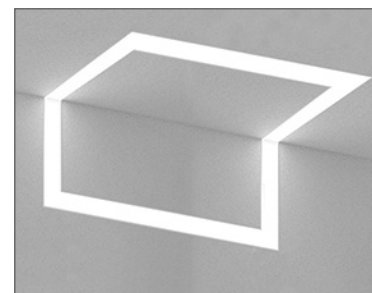


● SYSTEM (S#)

SCULPT linear systems, with the use of a strong profile, allow for a nearly hair thin connection system of continuous runs. Lengths of 4', 8', 12' as well as custom lengths are available. Runs of SCULPT that are greater than 12' in length are designated as systems (S#). This means that the run is comprised of a combination of 4', 8' and/or 12' sections to be assembled on site using our joining system. For more information on systems and joining.

● CORNERS

i For custom corner, please consult factory. Specifications sheets for all corners are available at: www.axislighting.com

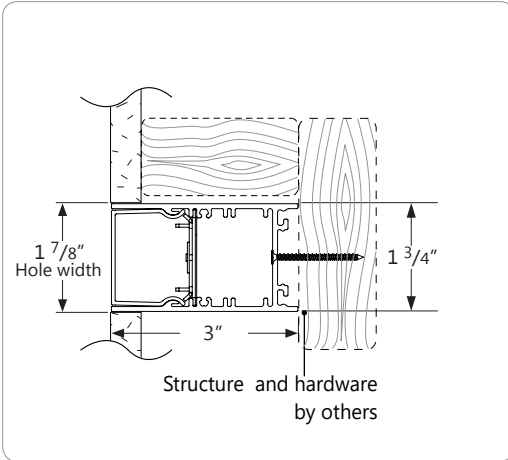


● OTHER MOUNTING OPTIONS

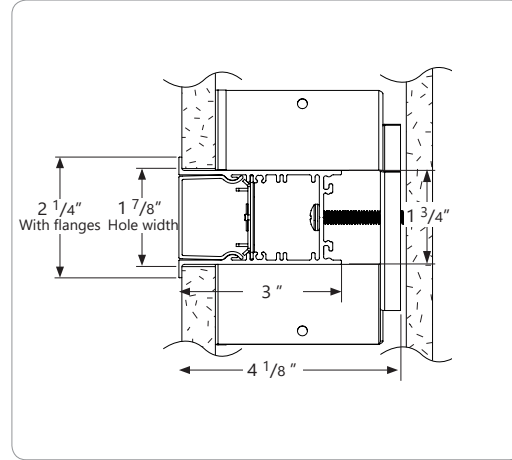
SCULPT LED is also available with surface recessed and pendant mounted options.

i Specification sheets and Installation sheets for all mounting for SCULPT luminaires are available for download at www.axislighting.com

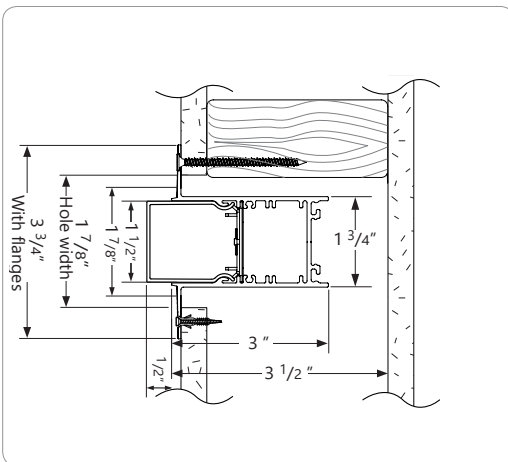
● DRYWALL CEILING MOUNTING OPTIONS - EX14005



D DRYWALL FLANGELESS



DB SLIP-THROUGH BRACKET



DS DRYWALL SPACKLE FLANGE

* MOUNTING HARDWARE IS NOT PROVIDED

● OTHER MOUNTING OPTIONS

SCULPT LED is also available with pendant, surface and recessed mounted options.

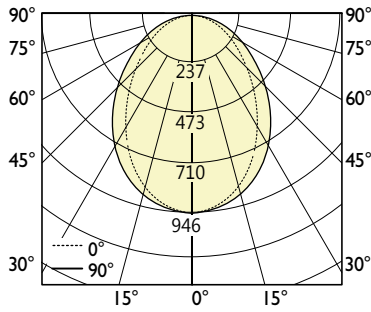
i Specification sheets and Installation sheets for all mounting for SCULPT luminaires are available for download at www.axislighting.com

PHOTOMETRIC DATA

500 lm/ft linear with Flush Lens



PHOTOMETRIC CURVE



Lumen/ft down: 501 lm/ft
Total Lumens: 2004 lm (for 4ft)
Input Watts: 22.2 W
Efficacy: 90 lm/W

80 CRI shown. For 90 CRI, divide wattage by 0.8 and multiply efficacy by 0.8.

IES FILE:SCRV-500-80-35-F-4-W-UNV-D-1.IES

TESTED ACCORDING TO IES LM-79-2008

CANDELA DISTRIBUTION

Vertical Angle	Horizontal Angles				
	0	22.5	45	67.5	90
0	943	943	943	943	943
5	932	938	934	938	940
15	884	887	872	860	859
25	788	780	750	723	715
35	656	641	599	559	544
45	508	491	446	408	392
55	361	346	310	279	266
65	227	216	193	174	167
75	110	105	96	88	86
85	21	21	23	24	23
90	0	1	3	4	4

ZONAL LUMENS

Zone	Lumens
0	
0-10	89
10-20	245
20-30	345
30-40	375
40-50	346
50-60	280
60-70	194
70-80	103
80-90	27
90	1

LUMINANCE DATA (cd/m²)

Vertical Angle	Horizontal Angles		
	0	45	90
45	14871	13045	11453
55	13026	11161	9585
65	11088	9429	8163
75	8767	7698	6843
85	4868	5504	5504

i All IES files are available for download at: www.axislighting.com