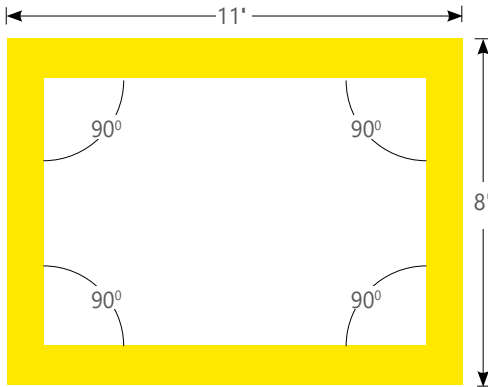




Project _____

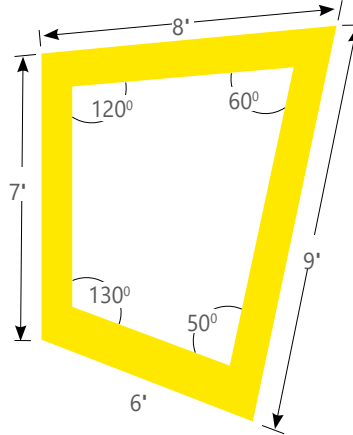
Type _____

Notes _____



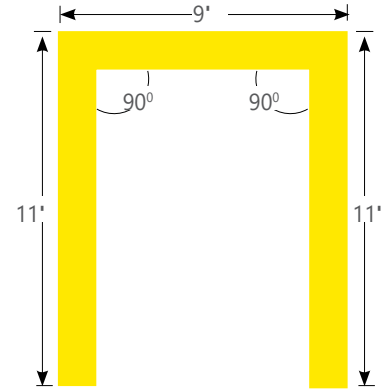
SCRPAT	REC	90+90+90+90	38°
PRODUCT ID	PATTERNS	CORNER ANGLE	LENGTH/FT

TOP VIEW - Rectangle Corner Pattern



SCRPAT	ASO	120+60+50+130	30°
PRODUCT ID	PATTERNS	CORNER ANGLE	LENGTH/FT

TOP VIEW - Corner Pattern



SCRPAT	OPR	90+90	31°
PRODUCT ID	PATTERNS	CORNER ANGLE	LENGTH/FT

TOP VIEW - Open Shape Corner Pattern

Ordering Guide

SCRPAT	PRODUCT ID	PATTERNS	CORNER ANGLE	NOM. LUMENS/FT	CRI	COLOR TEMP.	SHIELDING
SCRPAT	Sculpt Recessed Patterns	SQ square regular lit corners REC rectangle regular lit corners ASO other shape regular lit corners* OPR open shape regular lit corners	90 90 degrees # other angle	300 300 lm/ft - Min. 500 500 lm/ft - Max.	80 80 CRI 90 90 CRI	27 2700 K 30 3000 K 35 3500 K 40 4000 K	FL flush 0.5M 0.5" StepLens, lum. end cap 0.5P 0.5" StepLens, opaque end cap 2M 2" StepLens, lum. end cap 2P 2" StepLens, opaque end cap +BL(#) Blank (for flush option only)
* Please consult factory for MF mounting				Please consult factory for other lumen packages		All lens options use spotless lens	

LENGTH/FT	SPECIFY LENGTH	FINISH	VOLTAGE	DRIVER	CIRCUITS
# total pattern length	NL nominal EX exact	AP aluminum paint W white BLK black C custom	120 120 V 277 277 V 347 347 V UNV universal	DP dimming (0-10V) 1% LT lutron (1) BI bi-level dimming O other (2)	1 1 circuit 2 2 circuits +E(#) emergency section (3) +NL(#) night light section (3) +GTD(#) generator transfer device (3)
				(1) Specify system (2) Please consult factory; see page 2	(3) Specify quantity

MOUNTING	BATTERY - REMOTE (OPTIONAL)	OTHER (OPTIONAL)	IC CONTROL (OPTIONAL)	CUSTOM
MFTB9 MiniFlange t-bar 9/16"* MFTB15 MiniFlange t-bar 15/16"* MFST MiniFlange screw slot t-bar* MFTG9 MiniFlange 9/16" t-tegular* MFTG15 MiniFlange 15/16" t-tegular* TB9 t-bar 9/16" TB15 t-bar 15/16"	B# remote battery pack	F fuse (4) FW(#) flex whip (6' std) CP Chicago plenum	DS# daylight sensor (5) OS# occupancy sensor (5) DOS# daylight & occupancy sensor (5) EN# Enlighted integral (5) ENR# Enlighted remote (6)	C custom
* Please consult factory for ASO	Remote only; Please consult factory	(4) Requires 120V or 277V	(5) For flush option only; Please consult factory (6) Please consult factory For StepLens please consult factory Specify quantity. Requires 7" blank See pages 4-5 for more details	Please specify

● LIT CORNER FEATURES

The Lit Corner system allows continuous illumination all the way through the corner section

To optimize corner illumination, lit corners are created as integral components of the linear sections. Linear sections have mitered ends that connect to corresponding mitered ends of neighboring linear sections.

Illuminated Corners are more complex. Because the corner is fully illuminated, the corner is not independent of the straight sections, but integrated into the straight segment's housing. The corner is mitered, allowing a seamless line of light.

There are three types of illuminated corner available:

1. **Regular Illuminated Corner** - This is a fully illuminated 90 degree corner that lies in the same plane, for example, the ceiling or wall.
2. **Inside Illuminated Corner.** This corner runs up the wall, then across the ceiling. (Please use the "Inside & Outside lit corner patterns spec sheet" to specify and Inside lit corner).
3. **Outside Illuminated Corner** - This corner would run across a ceiling then up a bulkhead. (Please use the "Inside & Outside lit corner patterns spec sheet" to specify and Outside lit corner).

TIP: Provide sketches illustrating corner types and locations required.

