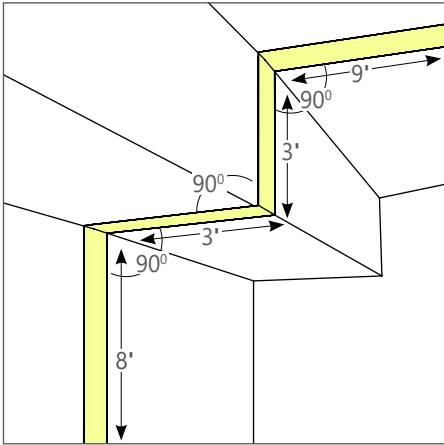




Project _____

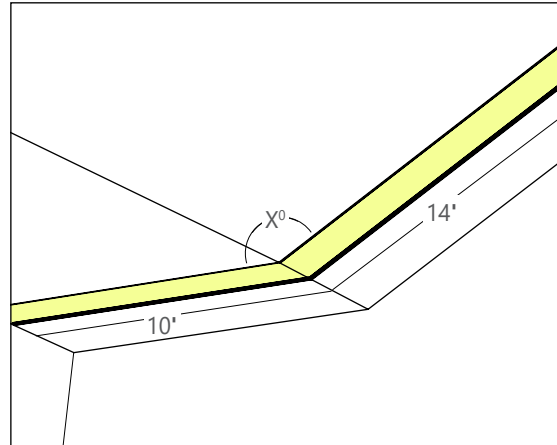
Type _____

Notes _____



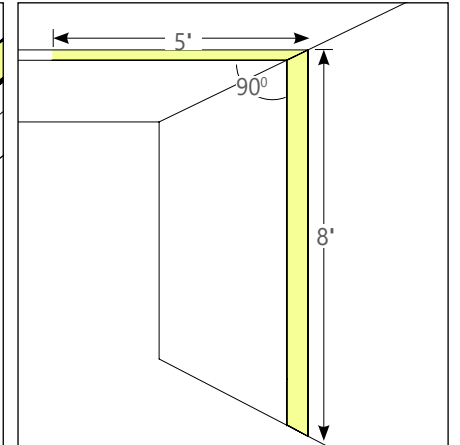
SCRPAT	OPOI	90+90+90+90	21'
PRODUCT ID	PATTERNS	CORNER ANGLE	LENGTH/FT

3D VIEW - Outside/inside 90° Corner Pattern



SCRPAT	OPO	X°	24'
PRODUCT ID	PATTERNS	CORNER ANGLE	LENGTH/FT

3D VIEW - Outside Corner Pattern



SCRPAT	OPI	90	13'
PRODUCT ID	PATTERNS	CORNER ANGLE	LENGTH/FT

3D VIEW - Inside Corner Pattern

Ordering Guide

SCRPAT		PATTERNS		CORNER ANGLE		NOM. LUMENS/FT		CRI		COLOR TEMP .		SHIELDING	
SCRPAT	Sculpt Recessed Patterns	OPO	open shape outside lit corner	90	90 degrees	300	300 lm/ft	80	80 CRI	27	2700 K	FL	flush
		OPI	open shape inside lit corner	#	other angle	400	400 lm/ft	90	90 CRI	30	3000 K	0.5M	0.5" StepLens, lum. end cap
		OPOI	open shape outside/inside lit corner			500	500 lm/ft			35	3500 K	0.5P	0.5" StepLens, opaque end cap
										40	4000 K	+BL(#)	Blank (for flush option only)
												All lens options use spotless lens	

LENGTH/FT		SPECIFY LENGTH		FINISH		VOLTAGE		DRIVER		CIRCUITS		
#	total pattern length	NL	nominal	AP	aluminum paint	120	120 V	DP	dimming (0-10V) 1%	1	1 circuit	
		EX	exact	W	white	277	277 V	LT	lutron (1)	2	2 circuits	
				BLK	black	347	347 V	BI	bi-level dimming	+E(#)	emergency section (3)	
				C	custom	UNV	universal	O	other (2)	+NL(#)	night light section (3)	
										+GTD(#)		generator transfer device (3)
										(1) Specify system		(3) Specify quantity
										(2) Please consult factory; see page 2		

MOUNTING				BATTERY - REMOTE (OPTIONAL)		OTHER (OPTIONAL)		IC CONTROL (OPTIONAL)		CUSTOM	
MFTB9	MiniFlange t-bar 9/16"	ST	screw slot t-bar	B#	remote battery pack	F	fuse (4)	DS#	daylight sensor	C	custom
MFTB15	MiniFlange t-bar 15/16"	TG9	tegular 9/16"			FW(#)	flex whip (6' std)	OS#	occupancy sensor		
MFST	MiniFlange screw slot t-bar	TG15	tegular 15/16"			CP	Chicago plenum	DOS#	daylight & occupancy sensor		
MFTG9	MiniFlange 9/16" t-tegular	DF	drywall flange					EN#	Enlighted integral		
MFTG15	MiniFlange 15/16" t-tegular	D	drywall flangeless					ENR#	Enlighted remote		
TB9	t-bar 9/16"	DB	slip-through bracket								
TB15	t-bar 15/16"	DS	drywall spackle flange								
				Remote only; Please consult factory		(4) Requires 120V or 277V		Please consult factory For StepLens, please consult factory Specify quantity. Requires 7" blank See pages 4-5 for more details		Please specify	

● LIT CORNER FEATURES

The Lit Corner system allows continuous illumination all the way through the corner section

To optimize corner illumination, lit corners are created as integral components of the linear sections. Linear sections have mitered ends that connect to corresponding mitered ends of neighboring linear sections.

Illuminated Corners are more complex. Because the corner is fully illuminated, the corner is not independent of the straight sections, but integrated into the straight segment's housing. The corner is mitered, allowing a seamless line of light.

There are three types of illuminated corner available:

1. **Regular Illuminated Corner** - This is a fully illuminated 90 degree corner that lies in the same plane, for example, the ceiling or wall. (Please use the "Regular lit corner patterns spec sheet" to specify and Regular lit corner).
2. **Inside Illuminated Corner.** This corner runs up the wall, then across the ceiling.
3. **Outside Illuminated Corner** - This corner would run across a ceiling then up a bulkhead.

TIP: Provide sketches illustrating corner types and locations required.

