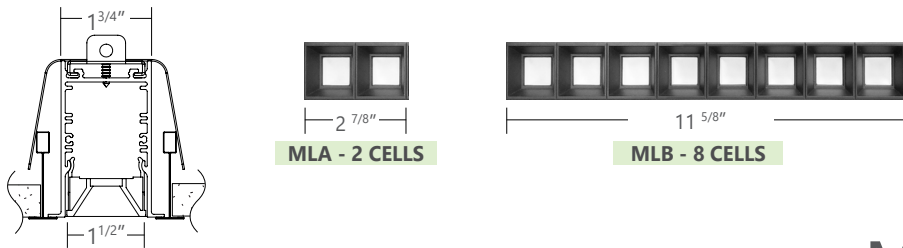


Project _____
 Type _____
 Notes _____

MikroLite shown



MikroLite™



CONTROL SENSORS

Ordering Guide

| SCRML0 | | MikroLite MODULE | | MikroLite NOM. LUMENS/FT | | MikroLite CRI | | MikroLite COLOR TEMP | | MikroLite CELL FINISH | | |
|--|--|------------------|-------------------------------------|--|----------------------|---------------|--------|----------------------|--|-----------------------|-------|--|
| PRODUCT ID | SCRML0 Sculpt Recessed with MikroLite only | +MLA(#) | MikroLite module quantity - 2 cells | 200 | 200 lm/ft - Minimum | 80 | 80 CRI | 27 | 2700K | GR | grey | |
| | | +MLB(#) | MikroLite module quantity - 8 cells | 1000 | 1000 lm/ft - Maximum | 90 | 90 CRI | 30 | 3000K | W | white | |
| | | | | | | | | 35 | 3500K | BLK | black | |
| | | | | | | | | 40 | 4000K | | | |
| Minimum MikroLite length is 12" (2x2 cells or 8 cells) increasing in increments of 2 cells. Consult factory for lumen outputs for lengths under 24". Total module length cannot exceed total fixture length. Only available with 55 deg beam spread. | | | | Outputs between listed min and max are available. Consult factory for outputs outside of the listed range. | | | | | Consult Axitune spec sheet for Axis color technology options | | | |

| FINISH | | VOLTAGE | | DRIVER | | CIRCUITS | |
|------------|----------------|------------|-----------|------------------------------|--|--|----------------------------------|
| AP | aluminum paint | 120 | 120 V | DP dimming (0-10V) 5% | | 1 | 1 circuit |
| W | white | 277 | 277 V | | | 2 | 2 circuits |
| BLK | black | 347 | 347 V | | | +E(#) | emergency section ⁽¹⁾ |
| C | custom | UNV | universal | | | Minimum 3 ft length. (1) Specify quantity | |

| MOUNTING | | BATTERY (OPTIONAL) | | OTHER (OPTIONAL) | | IC CONTROLS (OPTIONAL) | | CUSTOM (OPTIONAL) | | | |
|---------------|-----------------------------|--------------------|------------------------|--|--------------|---------------------------|---------------------|--|---------------------------------|----------------|--------|
| MFTB9 | MiniFlange t-bar 9/16" | ST | screw slot t-bar | B# | battery pack | F | fuse ⁽²⁾ | DS# | daylight sensor | C | custom |
| MFTB15 | MiniFlange t-bar 15/16" | TG9 | tegar 9/16" | | | | | OS# | occupancy sensor | | |
| MFST | MiniFlange screw slot t-bar | TG15 | tegar 15/16" | | | | | DOS# | daylight & occupancy sensor | | |
| MFTG9 | MiniFlange 9/16" t-tegar | DF | drywall flange | | | | | EN# | Enlighted integral | | |
| MFTG15 | MiniFlange 15/16" t-tegar | D | drywall flangeless | | | | | ENR# | Enlighted remote ⁽³⁾ | | |
| TB9 | t-bar 9/16" | DB | slip-through bracket | | | | | WC# | wireless control dimming | | |
| TB15 | t-bar 15/16" | DS | drywall spackle flange | | | | | | | | |
| | | | | 5" minimum fixture length. For lengths under 5" - battery pack is remote only. Not available with 347V. Please consult factory | | (2) Requires 120V or 277V | | (3) Please consult factory. Specify quantity. Requires 7" blank. See integrated controls guide for more details. | | Please specify | |

● LED SYSTEM

| | |
|---------------------------|--|
| LED System | Cluster of 4 LED in each MikroLite cell |
| LED optical System | Axis patent pending mixing chamber optic for high efficacy light control with deep square in square architectural downlight trim |
| CRI | Minimum 80 or 90 color rendering index |
| CCT | Choice of 2700K, 3000K, 3500K and 4000K color temperature with a great color consistency (within 3.0-step MacAdam ellipse). |
| Color Tuning | Cluster of 4 LED 2 on each diagonal for pure color mixing and no color over angle effects in the space |
| LED life | Minimum 50,000h with 85% of lumen maintenance in 25°C ambient temperature, in compliance with IES LM-80 testing measurements. |
| Thermal Management | Aluminum housing acting as the heat sink to maximize life. |

● CONSTRUCTION

| | |
|--------------------------|---|
| Housing | Extruded aluminum (0.080" nominal) up to |
| End Cap | Die cast aluminum |
| Interior Brackets | Die formed sheet steel (20 gauge) |
| MikroLite | High density composite polycarbonate shielding and formed aluminum optical system |
| Mixing Lenses | Extruded acrylic |
| Hanger | Die cast aluminum |
| Suspension | Aircraft cable with fixed mounting point |
| Cable Grips | Quick connecting / release |
| MikroLite | Extruded aluminum |
| Heat Sink | |

● ELECTRICAL

| | |
|-----------------------|--|
| Lutron driver* | LDE1 - EcoSystem H-Series (1%) LDE5 - EcoSystem 5-Series (5%) LTE - Hi-Lume® A-series 2Wires Forward Phase (1%) *Consult factory |
| Other drivers | DALI - Digital Addressable Lighting Interface DMX - Digital Multiplex LV - line voltage - Advance Mark 10 Xitanium SR - For wireless sensor POE (Power over Ethernet) - Low Voltage Lighting System. |
| Emergency | Integral emergency battery pack or emergency circuit optional. |
| Input Voltage | 120V, 277V, 347V, UNV. |
| Flex Whip | Shipped in a separate box for contractors to install |

i Incorporating these components may have limitations or affect the length of the luminaire. Please contact factory for more details.

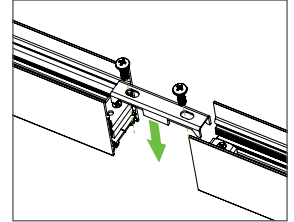
● WEIGHT

| | |
|-----------------------|------------------|
| Recessed 4 ft | 8 lbs / 3.6 kg |
| Recessed 8 ft | 16 lbs / 7.3 kg |
| Recessed 12 ft | 24 lbs / 10.9 kg |


● JOINERS

In order to allow very long runs of SCULPT luminaires, Axis has developed an effective joining system. Special care has been taken to maximize the performance of the joiner for each SCULPT option.

NOTE: Mount each system segment individually. Do not assemble system prior to mounting.



● APPROVALS

Certified to UL and CSA standards 
Suitable for damp locations.
Meets CCEC requirements (Chicago plenum)

● WARRANTY

Axis lighting will warrant defective LEDs, boards, and drivers for 5 years from date of purchase. Warranty is valid if luminaire is installed and used according to specifications. If defective, Axis will send replacement boards or drivers at no cost along with detailed replacement instructions and instructions on how to return defective components to Axis.

● SYSTEM (S#)

SCULPT linear systems, with the use of a strong profile, allow for a nearly hair thin connection system of continuous runs. Runs of SCULPT that are greater than 12' in length are designated as systems (S#). This means that the run is comprised of a combination of sections to be assembled on site using our joining system. For more information on systems and joining, please refer to the Sculpt installation sheets available at: www.axislighting.com under 'Downloads' tab.

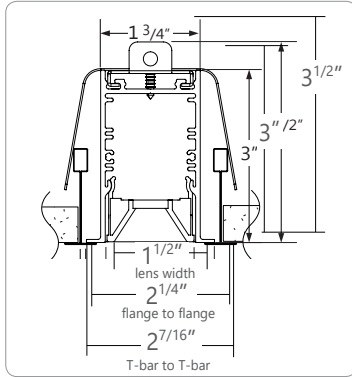
● OTHER MOUNTING OPTIONS

i Specification sheets and installation sheets for all mounting for SCULPT luminaires are available for download at www.axislighting.com

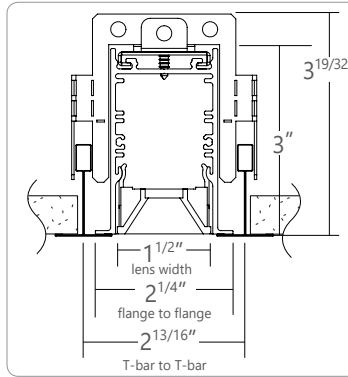
● ECO FRIENDLY PROGRAM

Sculpt MikroLite 1.5 meets the Living Building Challenge, is halogen free and includes PVC free wiring in compliance with requirements. Please contact Axis for supporting documentation.

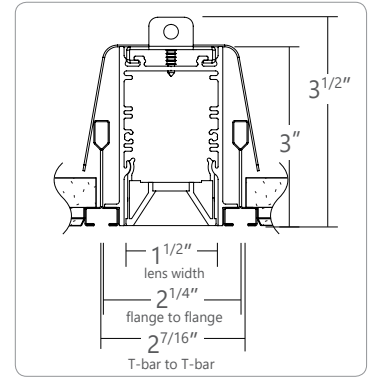
● STANDARD T-BAR CEILING MOUNTING OPTIONS



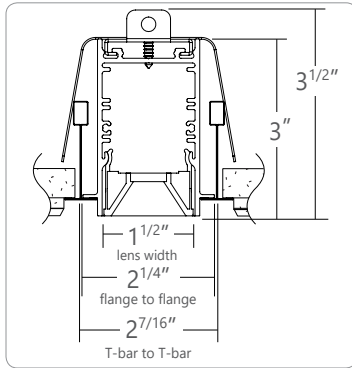
TB9 9/16" T-BAR



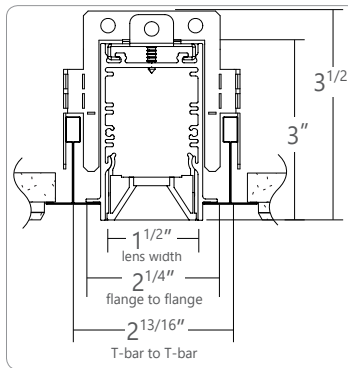
TB15 15/16" T-BAR



ST SCREW SLOT T-BAR

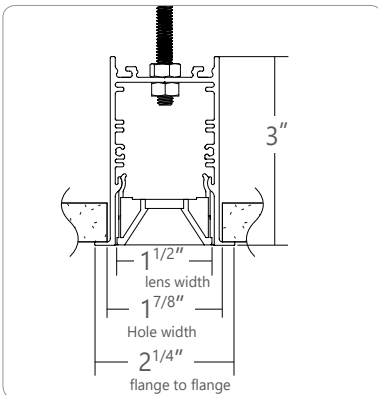


TG9 9/16" T-TEGULAR

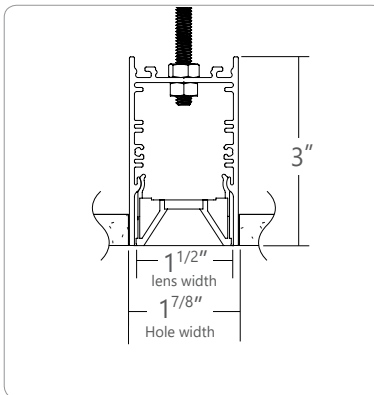


TG15 15/16" T-TEGULAR

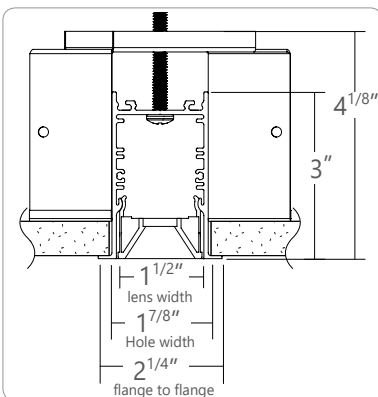
● DRYWALL CEILING MOUNTING OPTIONS



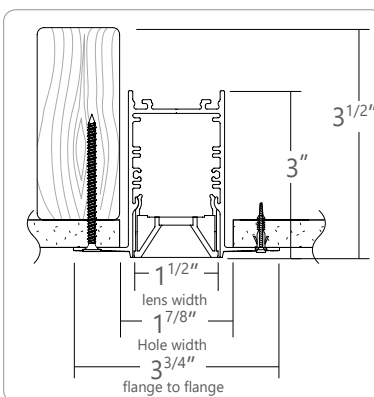
DF VISIBLE FLANGES WITH 1/4-20 STUD MOUNTING



D FLANGELESS WITH 1/4-20 STUD MOUNTING

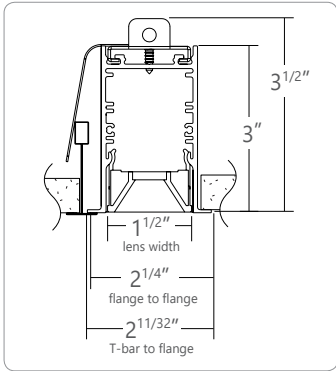


DB SLIP-THROUGH BRACKET

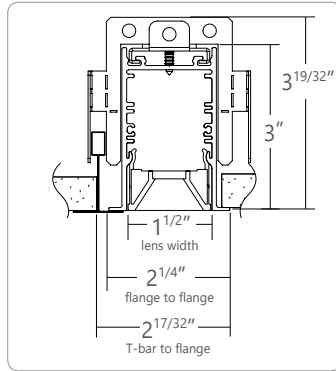


DS DRYWALL SPACKLE FLANGE

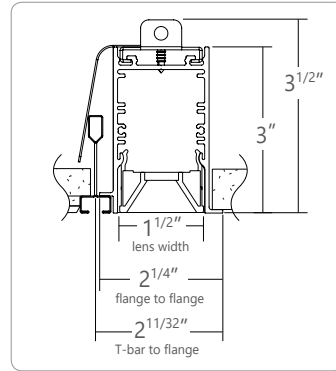
● **LINEAR - WITH INTEGRATED MINI FLANGE**



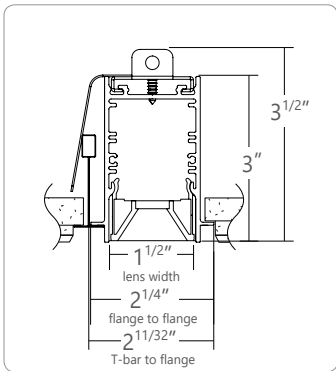
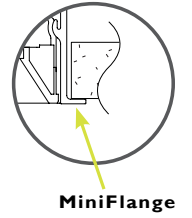
MFTB9 MiniFlange 9/16" T-BAR



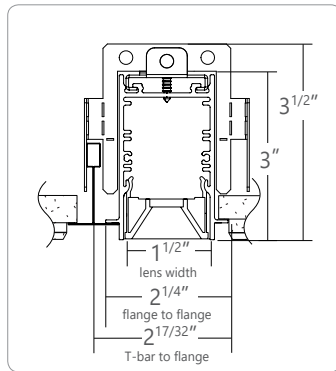
MFTB15 MiniFlange 15/16" T-BAR



MFST MiniFlange SCREW SLOT T-BAR

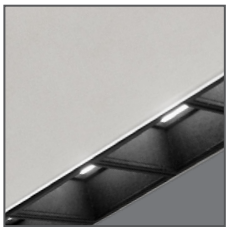


MFTG9 MiniFlange 9/16" T-REGULAR



MFTG15 MiniFlange 15/16" T-REGULAR

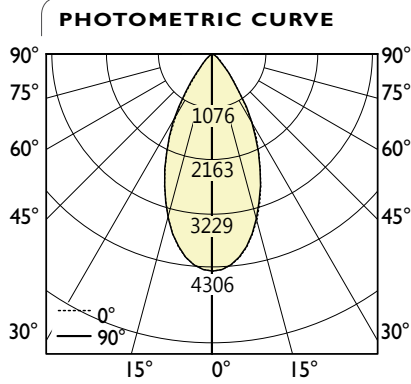
● **SHIELDING - MikroLite™ 1.5**



MikroLite

● PHOTOMETRIC DATA - DIRECT

MikroLite - 3ft
1000 lm/ft



Direct Output: 1000 lm/ft
Total Lumens: 3262 lm (for 3ft)
Input Watts: 32.06 W
Efficacy: 102 lm/W

IES FILE: SCULPT-1000-90-MIKROLITE-3.IES
 TESTED ACCORDING TO IES LM-79-2008

CANDELA DISTRIBUTION

| Vertical Angle | Horizontal Angles | | | | |
|----------------|-------------------|------|------|------|------|
| | 0 | 22.5 | 45 | 67.5 | 90 |
| 0 | 4306 | 4306 | 4306 | 4306 | 4306 |
| 5 | 4202 | 4200 | 4199 | 4199 | 4198 |
| 15 | 3389 | 3397 | 3400 | 3391 | 3378 |
| 25 | 2162 | 2164 | 2149 | 2161 | 2151 |
| 35 | 896 | 969 | 1060 | 1016 | 933 |
| 45 | 266 | 276 | 320 | 285 | 273 |
| 55 | 81 | 83 | 63 | 84 | 84 |
| 65 | 1 | 3 | 10 | 3 | 0 |
| 75 | 0 | 0 | 0 | 0 | 0 |
| 85 | 0 | 0 | 0 | 0 | 0 |
| 90 | 0 | 1 | 0 | 0 | 0 |

ZONAL LUMENS

| Zone | Lumens |
|-------|--------|
| 0 | 391 |
| 0-10 | 940 |
| 10-20 | 985 |
| 20-30 | 626 |
| 30-40 | 238 |
| 40-50 | 74 |
| 50-60 | 9 |
| 60-70 | 0 |
| 70-80 | 0 |
| 80-90 | 0 |
| 90 | 0 |

LUMINANCE DATA (cd/m²)

| Vertical Angle | Horizontal Angles | | |
|----------------|-------------------|-------|-------|
| | 0 | 45 | 90 |
| 45 | 10571 | 12714 | 10833 |
| 55 | 3962 | 3107 | 4125 |
| 65 | 35 | 634 | 0 |
| 75 | 0 | 0 | 0 |
| 85 | 0 | 0 | 0 |

i All IES files are available for download at: www.axislighting.com