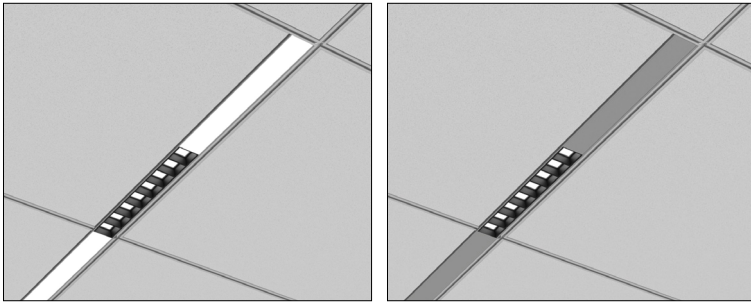
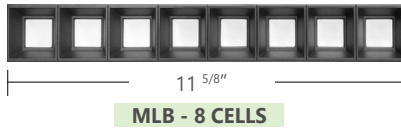
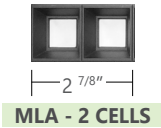
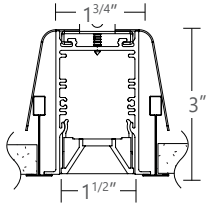


SCULPT MikroLite™ 1.5 RECESSED - COMBINED DISTRIBUTION



Spotless lens and MikroLite shown

Blank and MikroLite shown



Project _____

Type _____

Notes _____

A configuration drawing is required

Factory is available for assistance
See page 2 for example of how to specify

PERFORMANCE PER LINEAR FOOT AT 3500K

LENS	NOMINAL LUMEN OUTPUT		INPUT WATTS*	EFFICACY
	UPLIGHT	DOWNLIGHT		
Spotless	750 lm/ft	500 lm/ft	11.9 W/ft	105 lm/W
Batwing	640 lm/ft		5.8 W/ft	103 lm/W

Please consult factory for custom lumen output and wattage.

*See page 3 for StepLens section views

Ordering Guide



SCRML	PRODUCT ID	TOTAL LENGTH	OPTIC (OPT.)	NOM. LUMENS/FT DOWN - (OPT.)
SCRML	Sculpt Recessed MikroLite	2 2' 3 3' 4 4' 5 5' 6 6' 8 8' 12 12' S# System Run	SO spotless lens BL blank	300 300 lm/ft - Minimum 500 500 lm/ft - Maximum
				Outputs between listed min and max are available. Consult factory for outputs outside of the listed range.

MikroLite MODULES Quantity	NOM. LUMENS/FT - MikroLite	MikroLite CELL FINISH
+MLA(#) MikroLite module quantity - 2 cells	200 200 lm/ft - Minimum	GR grey
+MLB(#) MikroLite module quantity - 8 cells	1000 1000 lm/ft - Maximum	W white BLK black
Minimum MikroLite length is 12" (2x2 cells or 8 cells) increasing in increments of 2 cells. Consult factory for lumen outputs for lengths under 24". Total module length cannot exceed total fixture length. Only available with 55 deg beam spread.		Outputs between listed min and max are available. Consult factory for outputs outside of the listed range.

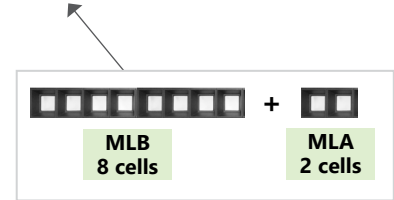
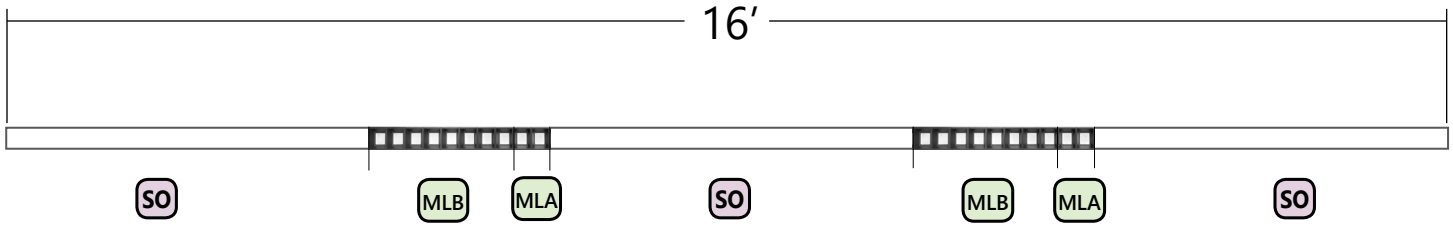
CRI	COLOR TEMP.	FINISH	VOLTAGE	DRIVER	CIRCUITS
80 80 CRI	27 2700 K	AP aluminum paint	120 120 V	DP dimming (0-10V) 1%	1 1 circuit ⁽³⁾
90 90 CRI	30 3000 K	W white	277 277 V	LT lutron ⁽¹⁾	2 2 circuits ⁽⁴⁾
	35 3500 K	BLK black	347 347 V	BI bi-level dimming	+E(#) emergency section ⁽⁵⁾
	40 4000 K	C custom	UNV universal	O other ⁽²⁾	+NL(#) night light section ⁽⁵⁾
Applies for all optics. Consult Axitune spec sheet for Axis color technology options			Applies to both UP & DOWN.	Applies to both UP & DOWN. ⁽¹⁾ Specify system ⁽²⁾ Please consult factory; see page 2 Consult Axitune spec sheet for Axis color driver options	⁽³⁾ Control UP & DOWN lights together ⁽⁴⁾ Control UP & DOWN lights separately. Minimum 3 ft length. ⁽⁵⁾ Specify quantity

MOUNTING	BATTERY (OPT.)	OTHER (OPT.)	IC CONTROLS (OPT.)	CUSTOM (OPT.)
MFTB9 MiniFlange t-bar 9/16"	B# battery pack	F fuse ⁽⁶⁾	DS# daylight sensor ⁽⁷⁾	C custom
MFTB15 MiniFlange t-bar 15/16"		FW(#) flex whip (6' std)	OS# occupancy sensor ⁽⁷⁾	
MFTS MiniFlange screw slot t-bar			DOS# daylight & occupancy sensor ⁽⁷⁾	
MFTG9 MiniFlange 9/16" t-tegular			EN# Enlighted integral ⁽⁷⁾	
MFTG15 MiniFlange 15/16" t-tegular			ENR# Enlighted remote ⁽⁷⁾	
TB9 t-bar 9/16"			WC# wireless control dimming	
TB15 t-bar 15/16"				
	5' minimum. For lengths under 5' - battery pack is remote only. Not available with 347V. Please consult factory	⁽⁶⁾ Requires 120V or 277V	⁽⁷⁾ Please consult factory. Applies to both UP & DOWN. Specify quantity. Requires 7" blank. See integrated controls guide for more details.	Please specify

How to Specify Combined Distributions

Example for Optic up, Optic down and MikroLite™ down

Side view shown



1. Specify Total Length

16
TOTAL LENGTH

3. Specify Optic - Down

SO
OPTIC

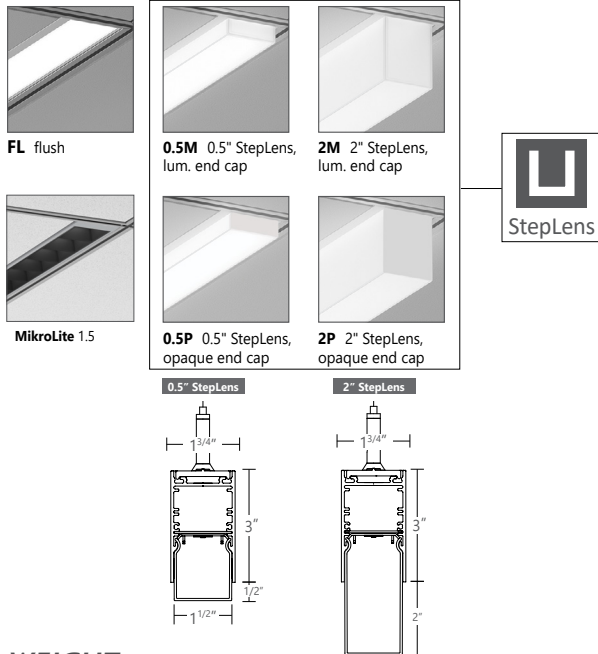
4. Specify MikroLite MODULES Quantity (Down)

MLB(2)+MLA(2)
MikroLite MODULES QUANTITY

LED SYSTEM

LED System	Cluster of 4 LED in each MikroLite cell
LED optical System	Axis patent pending mixing chamber optic for high efficacy light control with deep square in square architectural downlight trim
CRI	Minimum 80 or 90 color rendering index
CCT	Choice of 2700K, 3000K, 3500K and 4000K color temperature with a great color consistency (within 3.0-step MacAdam ellipse).
Color Tuning	Cluster of 4 LED 2 on each diagonal for pure color mixing and no color over angle effects in the space
LED life	Minimum 50,000h with 85% of lumen maintenance in 25°C ambient temperature, in compliance with IES LM-80 testing measurements.
Thermal Management	Aluminum housing acting as the heat sink to maximize life.

SHIELDING - Frosted acrylic Spotless lens



WEIGHT

Recessed 4 ft	8 lbs / 3.6 kg
Recessed 8 ft	16 lbs / 7.3 kg
Recessed 12 ft	24 lbs / 10.9 kg

SYSTEM (S#)

SCULPT linear systems, with the use of a strong profile, allow for a nearly hair thin connection system of continuous runs. Lengths of 4', 8', 12' as well as custom lengths are available. Runs of SCULPT that are greater than 12' in length are designated as systems (S#). This means that the run is comprised of a combination of 4', 8' and/or 12' sections to be assembled on site using our joining system. For more information on systems and joining.

APPROVALS

Certified to UL and CSA standards Suitable for damp locations.



CONSTRUCTION

Housing	Extruded aluminum (0.080" nominal) up to
End Cap	Die cast aluminum
Interior Brackets	Die formed sheet steel (20 gauge)
Reflectors	White powder coated sheet steel (22 gauge)
Lenses	Extruded acrylic (0.060" nominal) - injection moulded
Hanger	Die cast aluminum
Suspension	Sliding aircraft cable along product length
Cable Grips	Quick connecting / release
MikroLite Heat Sink	Extruded aluminum

ELECTRICAL

Lutron driver*	LDE1 - EcoSystem H-Series (1%) LDE5 - EcoSystem 5-Series (5%) LTE - Hi-Lume® A-series 2Wires Forward Phase (1%) *Consult factory
Other drivers	DALI - Digital Addressable Lighting Interface DMX - Digital Multiplex LV - line voltage - Advance Mark 10 Xitanium SR - For wireless sensor POE (Power over Ethernet) - Low Voltage Lighting System
Emergency	Integral emergency battery pack or emergency circuit optional.
Input Voltage	120V, 277V, 347V, UNV.
Flex Whip	Shipped in a separate box for contractors to install

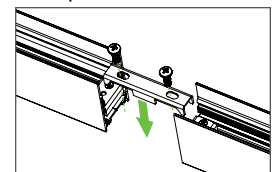
WARRANTY

Axis Lighting will warrant defective LEDs, boards, and drivers for 5 years from date of purchase. Warranty is valid if luminaire is installed and used according to specifications. If defective, Axis will send replacement boards or drivers at no cost along with detailed replacement instructions and instructions on how to return defective components to Axis.

JOINERS

In order to allow very long runs of SCULPT luminaires, Axis has developed an effective joining system. Special care has been taken to maximize the performance of the joiner for each SCULPT option.

NOTE: Mount each system segment individually. Do not assemble system prior to mounting.



i Allow a minimum of 6" between end of long runs and vertical wall

FINISH

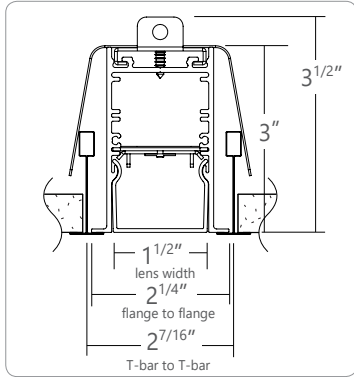
Aluminum paint, powder coated and custom finishes are also available.

OTHER MOUNTING OPTIONS

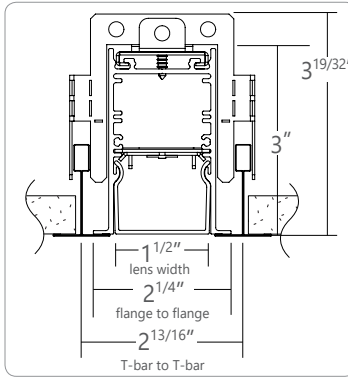
SCULPT is also available with surface, pendant and recessed vertical mounted options.

i Specification sheets and installation sheets for all mounting for SCULPT luminaires are available for download at www.axislighting.com

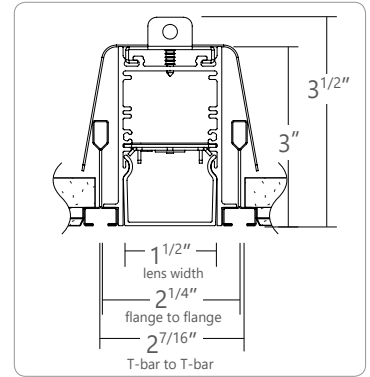
STANDARD T-BAR CEILING MOUNTING OPTIONS



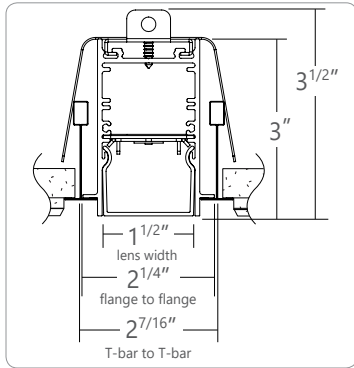
TB9 9/16" T-BAR



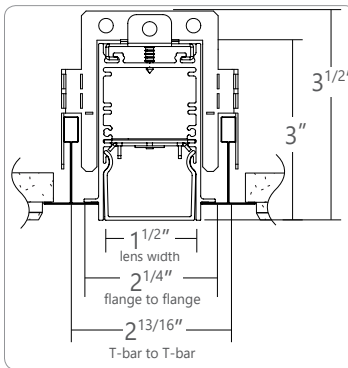
TB15 15/16" T-BAR



ST SCREW SLOT T-BAR

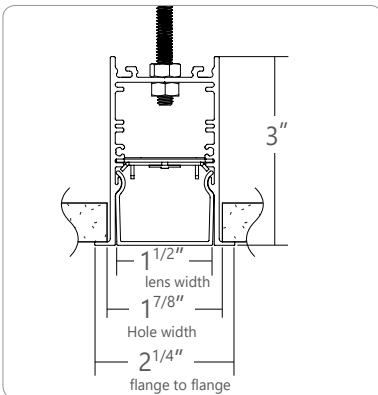


TG9 9/16" T-TEGULAR

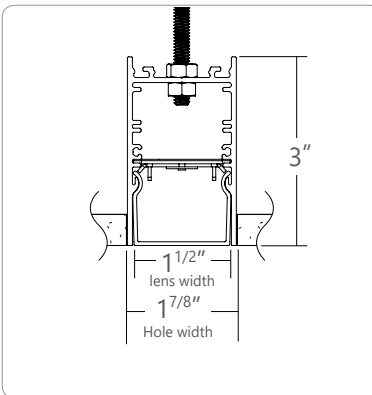


TG15 15/16" T-TEGULAR

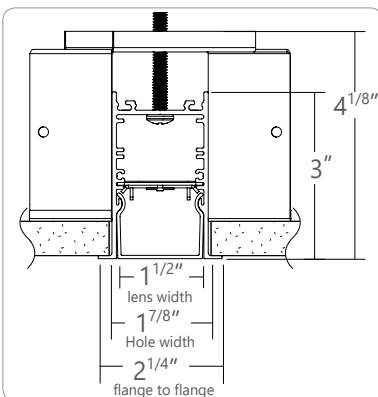
DRYWALL CEILING MOUNTING OPTIONS



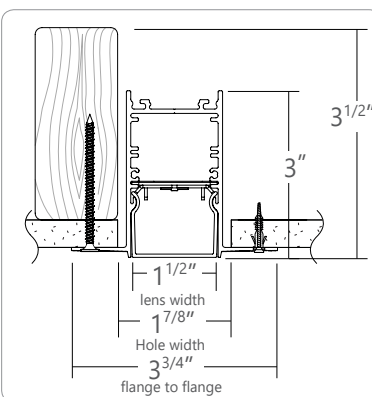
DF VISIBLE FLANGES WITH 1/4-20 STUD MOUNTING



D FLANGELESS WITH 1/4-20 STUD MOUNTING

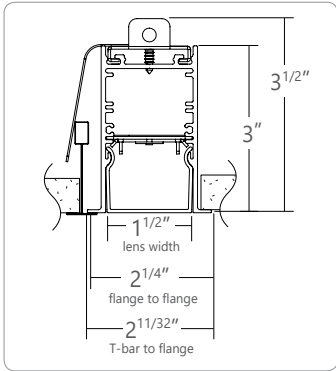


DB SLIP-THROUGH BRACKET

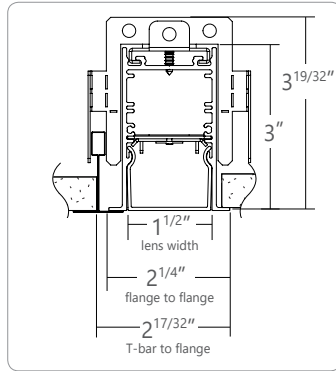


DS DRYWALL SPACKLE FLANGE

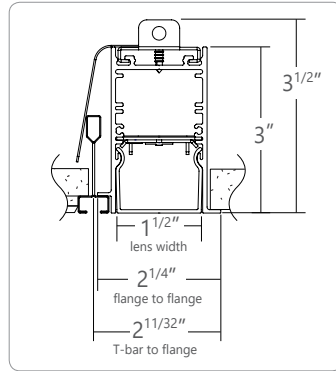
● KIT AND LINEAR - WITH INTEGRATED MINI FLANGE



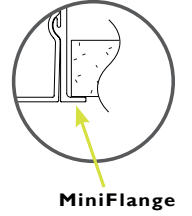
MFTB9 MiniFlange 9/16" T-BAR



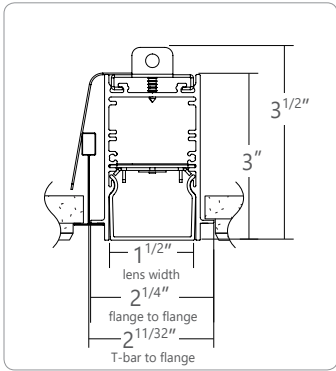
MFTB15 MiniFlange 15/16" T-BAR



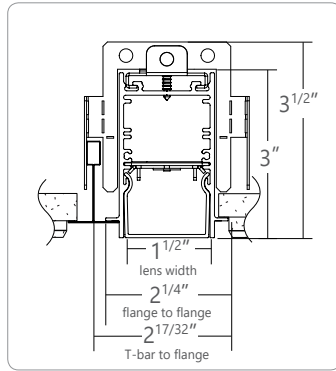
MFST MiniFlange SCREW SLOT T-BAR



MiniFlange

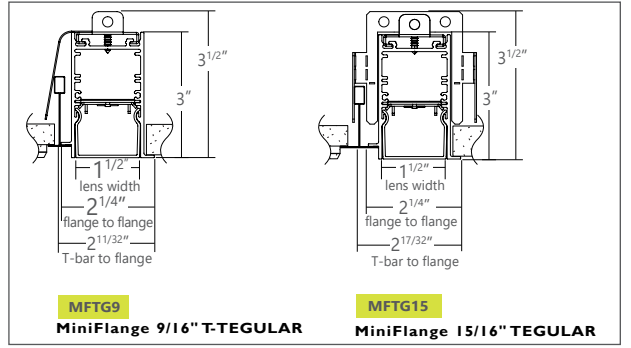


MFTG9 MiniFlange 9/16" T-TEGULAR



MFTG15 MiniFlange 15/16" T-TEGULAR

For 2x2 Squares only

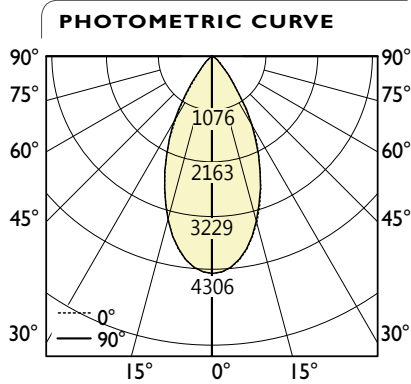


MFTG9 MiniFlange 9/16" T-TEGULAR

MFTG15 MiniFlange 15/16" T-TEGULAR

● PHOTOMETRIC DATA

MikroLite - 3ft
1000 lm/ft



Direct Output: 1000 lm/ft
Total Lumens: 3262 lm (for 3ft)
Input Watts: 32.06 W
Efficacy: 102 lm/W

IES FILE: SCULPT-1000-90-MIKROLITE-3.IES
TESTED ACCORDING TO IES LM-79-2008

CANDELA DISTRIBUTION

Vertical Angle	Horizontal Angles				
	0	22.5	45	67.5	90
0	4306	4306	4306	4306	4306
5	4202	4200	4199	4199	4198
15	3389	3397	3400	3391	3378
25	2162	2164	2149	2161	2151
35	896	969	1060	1016	933
45	266	276	320	285	273
55	81	83	63	84	84
65	1	3	10	3	0
75	0	0	0	0	0
85	0	0	0	0	0
90	0	1	0	0	0

ZONAL LUMENS

Zone	Lumens
0	391
0-10	940
10-20	985
20-30	626
30-40	238
40-50	74
50-60	9
60-70	0
70-80	0
80-90	0
90	0

LUMINANCE DATA (cd/m²)

Vertical Angle	Horizontal Angles		
	0	45	90
45	10571	12714	10833
55	3962	3107	4125
65	35	634	0
75	0	0	0
85	0	0	0

i All IES files are available for download at: www.axislighting.com