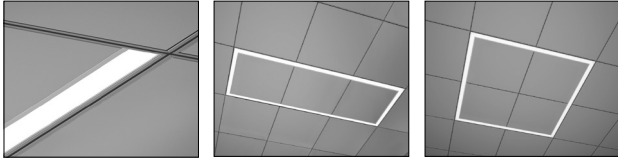
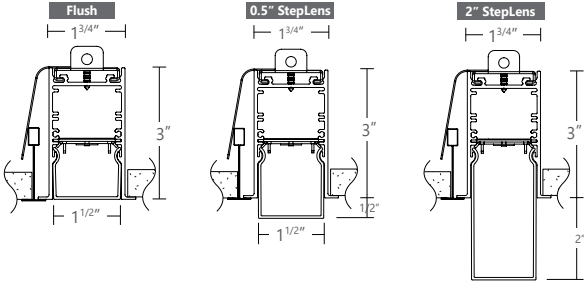


SCULPT

RECESSED MOUNT



Linear version shown 2'x6' ceiling kit shown 4'x4' ceiling kit shown



Project _____
 Type _____
 Notes _____

PERFORMANCE PER LINEAR FOOT AT 3500K

	NOMINAL LUMEN OUTPUT	INPUT WATTS	EFFICACY
LINEAR	300 lm/ft	3.25 W/ft*	93 lm/W
	400 lm/ft	4.4 W/ft*	91 lm/W
	500 lm/ft	5.55 W/ft*	90 lm/W
KIT	300 lm/ft	3.17 W/ft**	94 lm/W
	400 lm/ft	4.34 W/ft**	92 lm/W
	500 lm/ft	5.42 W/ft**	92 lm/W

* Based on a 4 foot flush luminaire using one driver

** Based on a 2x2 foot flush luminaire using one driver



*Check the latest update on the DLC website for complete information. Not all versions may be DLC qualified.

See page 3 for DLC Approved options



Ordering Guide

SCR	PRODUCT ID	NOM. LUMENS/FT	CRI	COLOR TEMP.	SHIELDING
SCR	Recessed	300 300 lm/ft - Minimum 500 500 lm/ft - Maximum	80 80 CRI 90 90 CRI	27 2700 K 30 3000 K 35 3500 K 40 4000 K	FL flush 0.5M 0.5" StepLens, lum. end cap 0.5P 0.5" StepLens, opaque end cap 2M 2" StepLens, lum. end cap 2P 2" StepLens, opaque end cap +BL(#) Blank (for flush option only)
		Outputs between listed min and max are available. Consult factory for outputs outside of the listed range.	Consult Axitune spec sheet for Axis color technology options		All lens options use spotless lens

LINEAR LENGTH or CEILING KIT (select one)	FINISH	VOLTAGE	DRIVER	CIRCUITS	
2 2' 3 3' 4 4' 6 6' 8 8' 12 12' S# System Run	L L shape 2' ⁽¹⁾ U U shape 2' ⁽¹⁾ 2x2 2'x2' ⁽¹⁾ 2x4 2'x4' ⁽¹⁾ 2x6 2'x6' ⁽¹⁾ 2x8 2'x8' ⁽¹⁾ 2x10 2'x10' ⁽¹⁾ 2x12 2'x12' ⁽¹⁾ 4x4 4'x4' ⁽¹⁾	W white C custom	120 120 V 277 277 V 347 347 V UNV universal	DP dimming (0-10V) 1% LT lutron ⁽²⁾ BI bi-level dimming O other ⁽³⁾	1 1 circuit 2 2 circuits +E(#) emergency section ⁽⁴⁾ +NL(#) night light section ⁽⁴⁾ +GTD(#) generator transfer device ⁽⁴⁾
(1) Available as kit; See page 2 for more details; SCULPT accommodates any length. Metric lengths also available, please consult factory. For other patterns refer to Corners & Patterns Spec Sheet.		(2) Specify system (3) Please consult factory; see page 2 Consult Axitune spec sheet for Axis color driver options		(4) Specify quantity	

MOUNTING	BATTERY (OPTIONAL)	OTHER (OPTIONAL)	IC CONTROL (OPTIONAL)	CUSTOM	
MFTB9 MiniFlange t-bar 9/16" ⁽⁵⁾ MFTB15 MiniFlange t-bar 15/16" ⁽⁵⁾ MFTS MiniFlange screw slot t-bar ⁽⁵⁾ MFTG9 MiniFlange 9/16" t-tegular ⁽⁵⁾ MFTG15 MiniFlange 15/16" t-tegular ⁽⁵⁾ TB9 t-bar 9/16" TB15 t-bar 15/16"	ST screw slot t-bar TG9 tegular 9/16" TG15 tegular 15/16" DF drywall flange D drywall flangeless DB slip-through bracket DS drywall spackle flange	B# battery pack 4' sections	F fuse ⁽⁶⁾ FW(#) flex whip (6' std) CP Chicago plenum	DS# daylight sensor ⁽⁷⁾ OS# occupancy sensor ⁽⁷⁾ DOS# daylight & occupancy sensor ⁽⁷⁾ EN# enlightened integral ⁽⁷⁾ ENR# enlightened remote ⁽⁸⁾ WC# wireless control dimming	C custom
(5) Must select from these options when ordering kits. See page 4 for more details.	Not available with 347V Please consult factory	(6) Requires 120V or 277V	(7) For flush option only; Please consult factory (8) Please consult factory Specify quantity. Requires 7" blank See integrated controls guide for more details.	Please specify	

Geometric Lighting



The Ceiling is Your Canvas.

Developed by Axis, Geometric Lighting lets you choose from a palette of light forms to create an infinite number of lighting configurations, regardless of ceiling or mounting type. Sculpt is the first luminaire family engineered by Axis to provide Geometric Lighting, in addition to standard linear lighting.

Geometric Lighting Benefits

- Freedom from traditional illuminated ceiling footprints.
- Drag and drop design enabling never-before-seen patterns.
- Traces of light resulting in a smaller footprint (negative space).
- A cleaner ceiling appearance through patent-pending technology.
- No performance trade-offs.

An Exclusive Palette of Geometric Lighting Ceiling Kits RECESSED • PENDANT • SURFACE



Ceiling Kit Features

- UL-listed
- Easy to specify – No complex shop drawings required
- Metric versions also available
- Illuminated corners and hairline joints
- Integrated driver
- Compatible with StepLens option – Choice of 0.5" or 2" heights
- Integrated MiniFlange (patent pending) enables use of a single T-bar in recessed applications.
- T-Aligner (**Patent Number: 9416535 B1**) offers a foolproof solution for aligning cut T-bars.
- Improved lighting control possibilities, including low-energy and layered illumination, through the use of sensors and multiple drivers to put light where you need it, when you need it.

LED SYSTEM

- CRI** Minimum 80 or 90 color rendering index
- CCT** Choice of 3000K, 3500K and 4000K color temperature with a great color consistency (within 3.0-step MacAdam ellipse).
- LED life** Minimum 50,000h with 85% of lumen maintenance in 25°C ambient temperature, in compliance with IES LM-80 testing measurements.
- Thermal Management** Aluminum housing acting as the heat sink to maximize life.

CONSTRUCTION

- Housing** Extruded aluminum (0.080" nominal) up to
- End Cap** Die cast aluminum
- Interior Brackets** Die formed sheet steel (20 gauge)
- Lenses** Extruded acrylic (0.060" nominal) - injection moulded
- Hanger** Die cast aluminum
- Suspension** Sliding aircraft cable along product length
- Cable Grips** Quick connecting / release

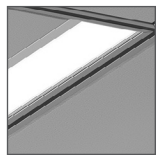
ELECTRICAL

- Lutron driver*** LDE1 - EcoSystem H-Series (1%)
LDE5 - EcoSystem 5-Series (5%)
LTE - Hi-Lume® A-series 2Wires Forward Phase (1%)
*Consult factory
 - Other drivers** DALI - Digital Addressable Lighting Interface
DMX - Digital Multiplex
LV - line voltage - Advance Mark 10
Xitanium SR - For wireless sensor
POE (Power over Ethernet) - Low Voltage Lighting System.
 - Emergency** Integral emergency battery pack or emergency circuit optional.
 - Input Voltage** 120V, 277V, 347V, UNV.
 - Flex Whip** Shipped in a separate box for contractors to install
- i** Incorporating these components may have limitations or affect the length of the luminaire. Please contact factory for more details.

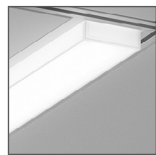
WARRANTY

Axis lighting will warrant defective LEDs, boards, and drivers for 5 years from date of purchase. Warranty is valid if luminaire is installed and used according to specifications. If defective, Axis will send replacement boards or drivers at no cost along with detailed replacement instructions and instructions on how to return defective components to Axis.

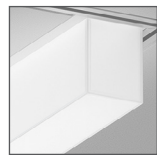
SHIELDING - Frosted acrylic Spotless lens



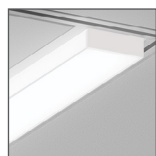
FL flush



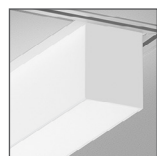
0.5M 0.5" StepLens, lum. end cap



2M 2" StepLens, lum. end cap



0.5P 0.5" StepLens, opaque end cap



2P 2" StepLens, opaque end cap



FINISH

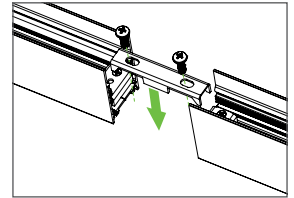
Powder coated and custom finishes are also available.

WEIGHT

- Recessed 4 ft** 8 lbs / 3.6 kg
- Recessed 8 ft** 16 lbs / 7.3 kg
- Recessed 12 ft** 24 lbs / 10.9 kg

JOINERS


In order to allow very long runs of SCULPT luminaires, Axis has developed an effective joining system. Special care has been taken to maximize the performance of the joiner for each SCULPT option.



NOTE: Mount each system segment individually. Do not assemble system prior to mounting.

- i** Allow a minimum of 6" between end of long runs and vertical wall

APPROVALS

Certified to UL and CSA standards 
Meets CCEC requirements (Chicago plenum)
Suitable for damp locations.
IC Rated (Insulated ceiling)



*Check the latest update on the DLC website for complete information. Not all versions may be DLC qualified.

DLC Approved Options

OUTPUT	CRI	LUMENS	SHIELDING	LENGTH	FINISH	VOLTAGE	DRIVER
500 lm/ft	80	3000 K 3500 K 4000 K	0.5M 2M	4' 5' 6' 7' 8' 9' 10' 11' 12'	white	universal	DP

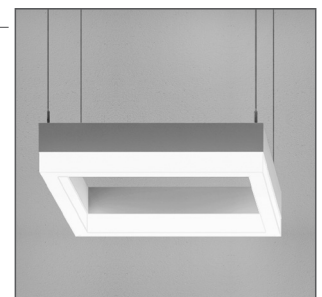
SYSTEM (S#)

SCULPT linear systems, with the use of a strong profile, allow for a nearly hair thin connection system of continuous runs. Lengths of 4', 8', 12' as well as custom lengths are available. Runs of SCULPT that are greater than 12' in length are designated as systems (S#). This means that the run is comprised of a combination of 4', 8' and/or 12' sections to be assembled on site using our joining system. For more information on systems and joining.

CORNERS

Lit Corners - In addition Axis offers 0.5" and 2" StepLens corners

For custom corner, please consult factory. Specifications sheets for all corners are available at: www.axislighting.com



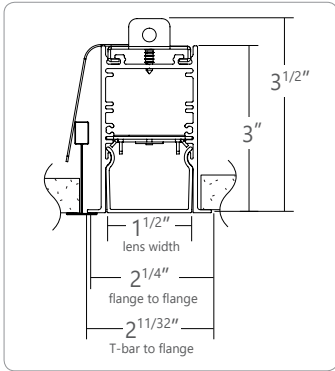
Shown with 2" StepLens

OTHER MOUNTING OPTIONS

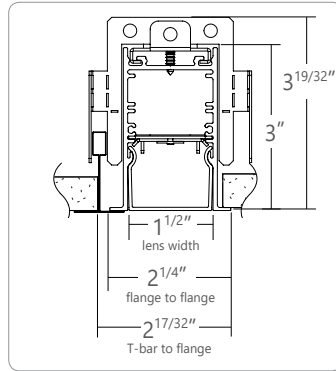
SCULPT LED is also available with pendant, surface and recessed vertical mounted options.

- i** Specification sheets and installation sheets for all mounting for SCULPT luminaires are available for download at www.axislighting.com

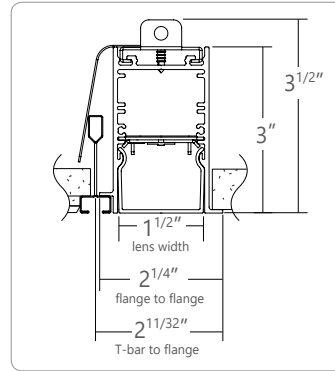
● KIT AND LINEAR - WITH INTEGRATED MINI FLANGE



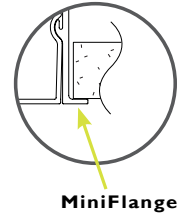
MFTB9 MiniFlange 9/16" T-BAR



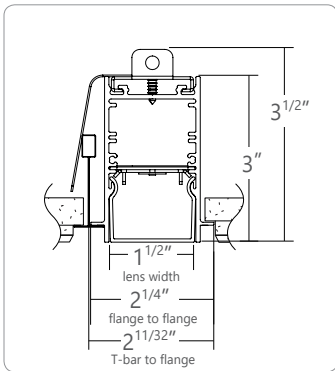
MFTB15 MiniFlange 15/16" T-BAR



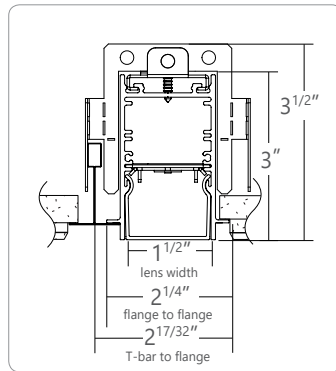
MFST MiniFlange SCREW SLOT T-BAR



MiniFlange

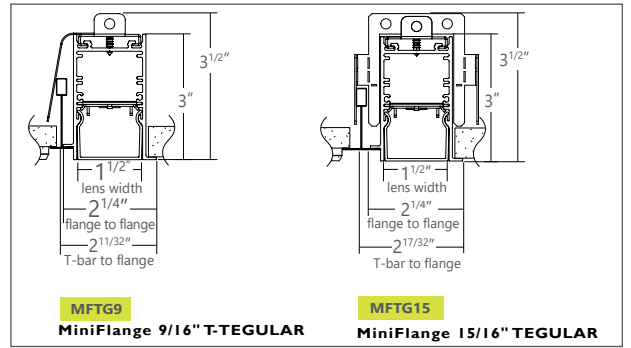


MFTG9 MiniFlange 9/16" T-TEGULAR



MFTG15 MiniFlange 15/16" T-TEGULAR

For 2x2 Squares only



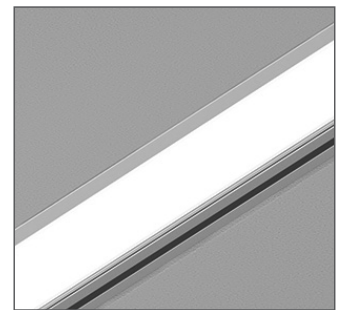
MFTG9 MiniFlange 9/16" T-TEGULAR

MFTG15 MiniFlange 15/16" T-TEGULAR

Integrated MiniFlange (patent pending)

When installed along T-bars in acoustic ceilings, the Integrated MiniFlange supports adjacent ceiling tiles. At the same time, it **eliminates the need for a second T-bar**. This feature comes standard on Sculpt Recessed.

- Fewer materials needed and less labor.
- Conceals ceiling tile cutline for a cleaner appearance.
- Simplifies drawings and trade coordination.
- Available in different T-bar profiles.

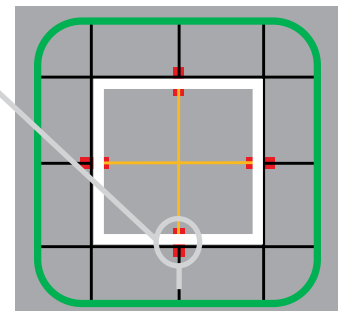


With Integrated MiniFlange

The T-Aligner™ (Patent Number: 9416535 B1)

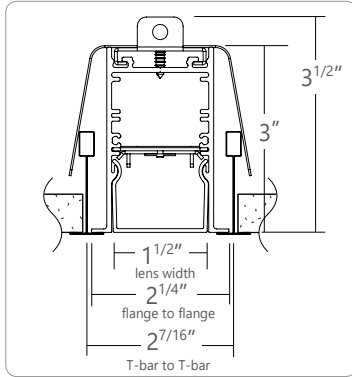
T-Aligners are installed where T-bars intersect the luminaire or ceiling kit.

- Foolproof solution for a perfectly aligned ceiling grid.
- Connects cut T-bars on either side of a Sculpt luminaire or ceiling kit.
- No need to specify – Comes standard with Sculpt Recessed.
- Compatible with all T-bar profiles including slot and Tegular (9/16" and 15/16").

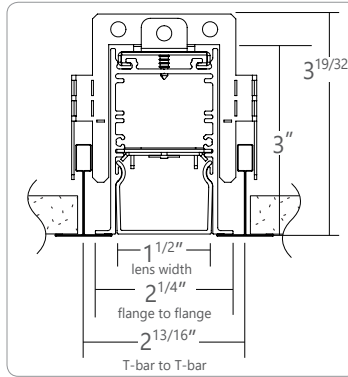


View from above ceiling
(for MiniFlange Only)

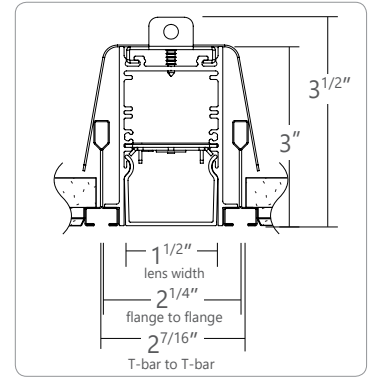
STANDARD T-BAR CEILING MOUNTING OPTIONS



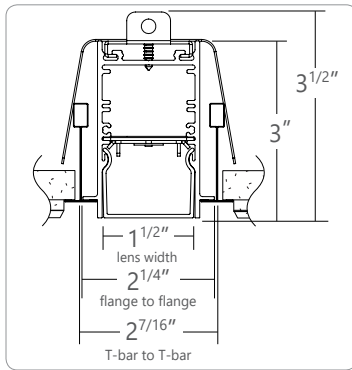
TB9 9/16" T-BAR



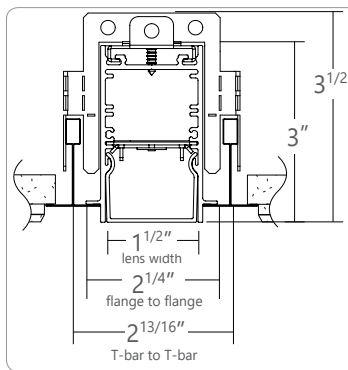
TB15 15/16" T-BAR



ST SCREW SLOT T-BAR

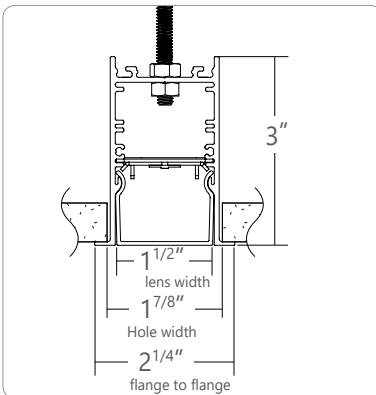


TG9 9/16" T-TEGULAR

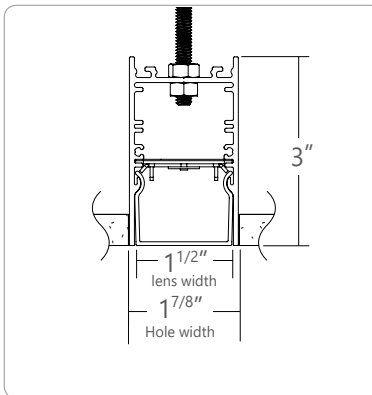


TG15 15/16" T-TEGULAR

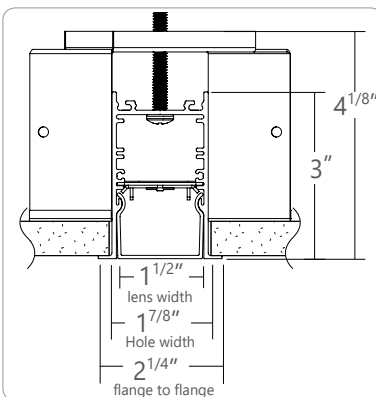
DRYWALL CEILING MOUNTING OPTIONS



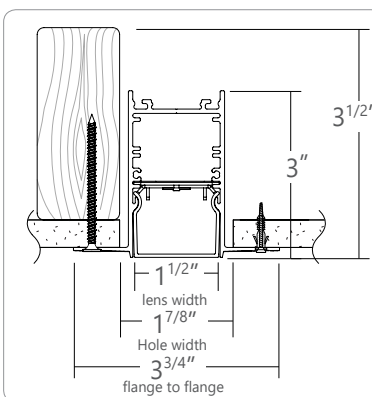
DF VISIBLE FLANGES WITH 1/4-20 STUD MOUNTING



D FLANGELESS WITH 1/4-20 STUD MOUNTING



DB SLIP-THROUGH BRACKET



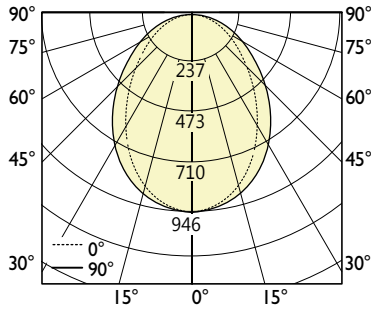
DS DRYWALL SPACKLE FLANGE

● **PHOTOMETRIC DATA (ADDITIONAL IES FILES AVAILABLE ON WEBSITE)**

500 lm/ft linear with Flush lens



PHOTOMETRIC CURVE



Lumen/ft down: 501 lm/ft
Total Lumens: 2004 lm (for 4ft)
Input Watts: 22.2 W
Efficacy: 90 lm/W

80 CRI shown. For 90 CRI, divide wattage by 0.8 and multiply efficacy by 0.8.
 IES FILE:SCR-500-80-35-F-4-W-UNV-D-1.IES
 TESTED ACCORDING TO IES LM-79-2008

CANDELA DISTRIBUTION

Vertical Angle	Horizontal Angles				
	0	22.5	45	67.5	90
0	943	943	943	943	943
5	932	938	934	938	940
15	884	887	872	860	859
25	788	780	750	723	715
35	656	641	599	559	544
45	508	491	446	408	392
55	361	346	310	279	266
65	227	216	193	174	167
75	110	105	96	88	86
85	21	21	23	24	23
90	0	1	3	4	4

ZONAL LUMENS

Zone	Lumens
0	
0-10	89
10-20	245
20-30	345
30-40	375
40-50	346
50-60	280
60-70	194
70-80	103
80-90	27
90	1

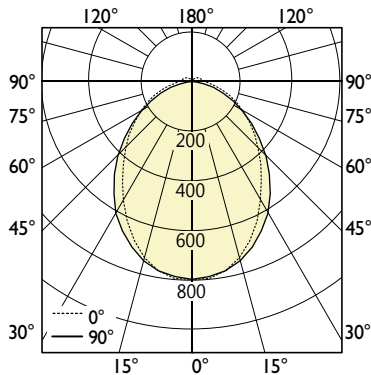
LUMINANCE DATA (cd/m²)

Vertical Angle	Horizontal Angles		
	0	45	90
45	14871	13045	11453
55	13026	11161	9585
65	11088	9429	8163
75	8767	7698	6843
85	4868	5504	5504

500 lm/ft linear with 0.5" StepLens



PHOTOMETRIC CURVE



Lumen/ft down: 500 lm/ft
Total Lumens: 2000 lm (for 4ft)
Input Watts: 19.9 W
Efficacy: 101 lm/W

80 CRI shown. For 90 CRI, divide wattage by 0.8 and multiply efficacy by 0.8.
 IES FILE:SCR-500-80-35-0.5M-4-W-UNV-D-1.IES
 TESTED ACCORDING TO IES LM-79-2008

CANDELA DISTRIBUTION

Vertical Angle	Horizontal Angles				
	0	22.5	45	67.5	90
0	798	798	798	798	798
5	789	793	791	795	798
15	749	756	747	737	736
25	665	665	646	627	621
35	550	552	524	502	490
45	424	425	405	386	379
55	296	307	300	289	283
65	184	202	208	205	199
75	89	113	130	131	127
85	19	45	66	73	71
90	4	26	48	55	54
95	2	23	41	46	46
105	1	18	34	39	39
115	0	11	27	33	34
125	0	7	19	27	28
135	0	4	14	19	21
145	0	1	8	13	15
155	0	0	3	6	8
165	0	0	0	1	2
175	0	0	0	0	0
180	0	0	0	0	0

ZONAL LUMENS

Zone	Lumens
0	
0-10	75
10-20	209
20-30	297
30-40	328
40-50	313
50-60	266
60-70	201
70-80	128
80-90	66
90-100	37
100-110	29
110-120	22
120-130	15
130-140	9
140-150	5
150-160	2
160-170	0
180	

LUMINANCE DATA (cd/m²)

Vertical Angle	Horizontal Angles		
	0	45	90
45	12278	9680	8467
55	10519	8188	7087
65	8816	6881	5879
75	6869	5638	4734
85	4143	4421	3748

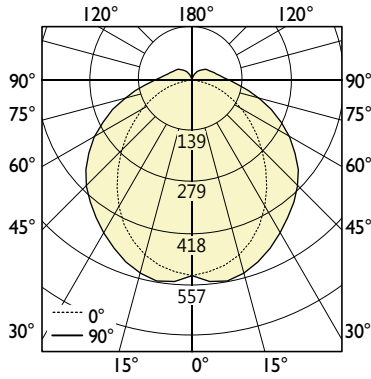
i All IES files are available for download at: www.axislighting.com

● PHOTOMETRIC DATA (ADDITIONAL IES FILES AVAILABLE ON WEBSITE)

500 lm/ft linear with 2" StepLens



PHOTOMETRIC CURVE



Lumen/ft down: 500 lm/ft
Total Lumens: 2002 lm (for 4ft)
Input Watts: 19.6 W
Efficacy: 102 lm/W

80 CRI shown. For 90 CRI, divide wattage by 0.8 and multiply efficacy by 0.8.

IES FILE: SCR-500-80-35-2M-4-W-UNV-D-1.IES

TESTED ACCORDING TO IES LM-79-2008

CANDELA DISTRIBUTION

Vertical Angle	Horizontal Angles				
	0	22.5	45	67.5	90
0	534	534	534	534	534
5	526	536	542	550	553
15	496	522	535	542	547
25	437	474	492	501	507
35	358	405	433	451	459
45	273	330	373	400	409
55	194	257	311	340	346
65	125	190	246	271	270
75	66	129	183	198	193
85	22	81	127	134	129
90	10	62	105	110	104
95	8	54	91	95	89
105	6	43	71	74	69
115	3	31	57	62	59
125	2	24	44	52	51
135	1	17	34	40	42
145	1	11	23	31	33
155	0	6	13	21	23
165	0	2	6	9	12
175	0	0	1	1	1
180	0	0	0	0	0

ZONAL LUMENS

Zone	Lumens
0	
0-10	52
10-20	149
20-30	223
30-40	266
40-50	279
50-60	264
60-70	224
70-80	170
80-90	115
90-100	79
100-110	60
110-120	45
120-130	33
130-140	22
140-150	13
150-160	6
160-170	2
180	0

LUMINANCE DATA (cd/m²)

Vertical Angle	Horizontal Angles		
	0	45	90
45	7661	5574	5181
55	6600	4744	4347
65	5593	3954	3472
75	4518	3206	2617
85	3529	2531	1914

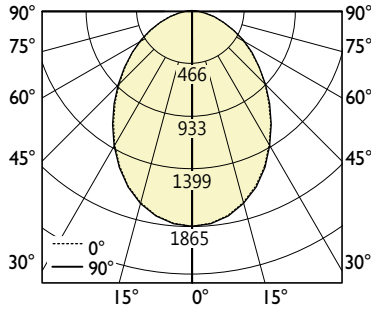
i All IES files are available for download at: www.axislighting.com

PHOTOMETRIC DATA

500 lm/ft kit with Flush lens



PHOTOMETRIC CURVE



Lumen/ft down: 500 lm/ft
Total Lumens: 3999 lm (for 8ft)
Input Watts: 43.4 W
Efficacy: 92 lm/W

80 CRI shown. For 90 CRI, divide wattage by 0.8 and multiply efficacy by 0.8.
 IES FILE:SCR-4000-80-35-F-4-W-UNV-D-1.IES

CANDELA DISTRIBUTION

Vertical Angle	Horizontal Angles				
	0	22.5	45	67.5	90
0	1865	1865	1865	1865	1865
5	1844	1844	1846	1844	1847
15	1720	1720	1723	1724	1724
25	1483	1485	1486	1491	1491
35	1187	1187	1187	1193	1194
45	891	888	887	894	899
55	625	620	619	626	631
65	396	393	391	396	399
75	201	199	199	201	202
85	52	54	55	54	51
90	4	4	4	4	3

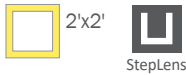
ZONAL LUMENS

Zone	Lumens
0	
0-10	175
10-20	484
20-30	683
30-40	743
40-50	688
50-60	559
60-70	391
70-80	213
80-90	62
90	1

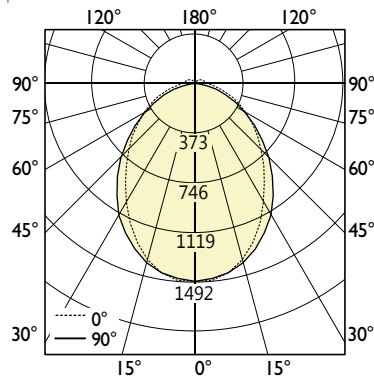
LUMINANCE DATA (cd/m²)

Vertical Angle	Horizontal Angles		
	0	45	90
45	13832	13762	13948
55	11951	11836	12065
65	10268	10152	10346
75	8510	8447	8574
85	6601	6978	6412

500 lm/ft kit with 0.5" StepLens



PHOTOMETRIC CURVE



Lumen/ft down: 500 lm/ft
Total Lumens: 4000 lm (for 8ft)
Input Watts: 42.2 W
Efficacy: 95 lm/W

80 CRI shown. For 90 CRI, divide wattage by 0.8 and multiply efficacy by 0.8.
 IES FILE:SCR-4000-80-35-0.5M-4-W-UNV-D-1.IES

CANDELA DISTRIBUTION

Vertical Angle	Horizontal Angles				
	0	22.5	45	67.5	90
0	1492	1492	1492	1492	1492
5	1478	1478	1478	1478	1481
15	1392	1393	1398	1396	1394
25	1218	1223	1229	1226	1219
35	1002	1010	1014	1012	1001
45	794	804	807	801	787
55	603	616	622	609	590
65	433	450	457	441	415
75	281	302	313	295	263
85	152	166	177	165	141
90	57	67	72	64	50
95	48	57	62	54	42
105	40	46	51	44	35
115	32	37	41	36	30
125	26	26	31	24	24
135	17	15	17	16	17
145	10	8	4	8	10
155	2	1	0	1	2
165	0	0	0	0	0
175	0	0	0	0	0
180	0	0	0	0	0

ZONAL LUMENS

Zone	Lumens
0	
0-10	140
10-20	392
20-30	563
30-40	632
40-50	618
50-60	547
60-70	440
70-80	313
80-90	169
90-100	60
100-110	47
110-120	36
120-130	24
130-140	13
140-150	5
150-160	1
160-170	0
180	

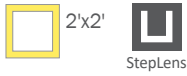
LUMINANCE DATA (cd/m²)

Vertical Angle	Horizontal Angles		
	0	45	90
45	11843	11847	11739
55	10913	10995	10677
65	10339	10572	9923
75	10360	10922	9687
85	13047	13460	12148

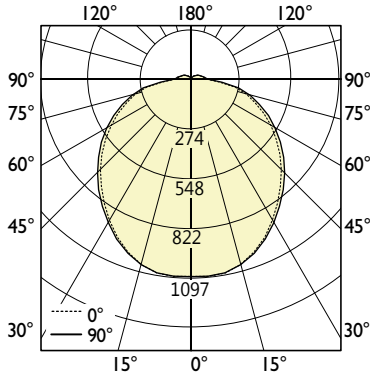
All IES files are available for download at: www.axislighting.com

PHOTOMETRIC DATA

500 lm/ft kit with 2" StepLens



PHOTOMETRIC CURVE



Lumen/ft down: 500 lm/ft
Total Lumens: 4000 lm (for 8ft)
Input Watts: 39.8 W
Efficacy: 100 lm/W

80 CRI shown. For 90 CRI, divide wattage by 0.8 and multiply efficacy by 0.8.
 IES FILE:SCR-4000-80-35-2M-4-W-UNV-D-1.IES

CANDELA DISTRIBUTION

Vertical Angle	Horizontal Angles				
	0	22.5	45	67.5	90
0	1093	1093	1093	1093	1093
5	1093	1093	1095	1095	1096
15	1063	1073	1081	1074	1062
25	974	993	1001	989	965
35	857	881	888	871	839
45	734	766	771	751	708
55	606	644	655	629	577
65	473	514	533	502	446
75	341	378	399	369	319
85	172	197	215	193	157
90	98	120	133	116	88
95	84	103	117	102	76
105	66	81	93	80	60
115	52	65	75	63	48
125	43	49	57	48	39
135	29	31	37	34	30
145	20	20	23	21	21
155	11	10	11	11	12
165	3	2	1	2	3
175	0	0	0	0	0
180	0	0	0	0	0

ZONAL LUMENS

Zone	Lumens
0	104
0-10	302
10-20	455
20-30	546
30-40	581
40-50	564
50-60	497
60-70	388
70-80	214
80-90	110
90-100	84
100-110	63
110-120	44
120-130	26
130-140	14
140-150	5
150-160	1
160-170	0
180	0

LUMINANCE DATA (cd/m²)

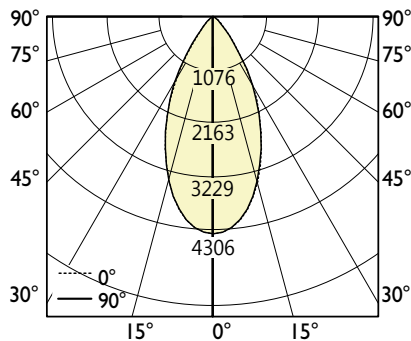
Vertical Angle	Horizontal Angles		
	0	45	90
45	9718	9632	9382
55	9310	9306	8870
65	8982	9102	8454
75	8802	8870	8252
85	7308	7182	6682

i All IES files are available for download at: www.axislighting.com

PHOTOMETRIC DATA

Micro Downlight - 3ft 1000 lm/ft

PHOTOMETRIC CURVE



Direct Output: 1000 lm/ft
Total Lumens: 3262 lm (for 3ft)
Input Watts: 32.06 W
Efficacy: 102 lm/W

IES FILE: SCULPT-1000-90-MICROLIGHT-3.IES
 TESTED ACCORDING TO IES LM-79-2008

CANDELA DISTRIBUTION

Vertical Angle	Horizontal Angles				
	0	22.5	45	67.5	90
0	4306	4306	4306	4306	4306
5	4202	4200	4199	4199	4198
15	3389	3397	3400	3391	3378
25	2162	2164	2149	2161	2151
35	896	969	1060	1016	933
45	266	276	320	285	273
55	81	83	63	84	84
65	1	3	10	3	0
75	0	0	0	0	0
85	0	0	0	0	0
90	0	1	0	0	0

ZONAL LUMENS

Zone	Lumens
0	391
0-10	940
10-20	985
20-30	626
30-40	238
40-50	74
50-60	9
60-70	0
70-80	0
80-90	0
90	0

LUMINANCE DATA (cd/m²)

Vertical Angle	Horizontal Angles		
	0	45	90
45	10571	12714	10833
55	3962	3107	4125
65	35	634	0
75	0	0	0
85	0	0	0

i All IES files are available for download at: www.axislighting.com