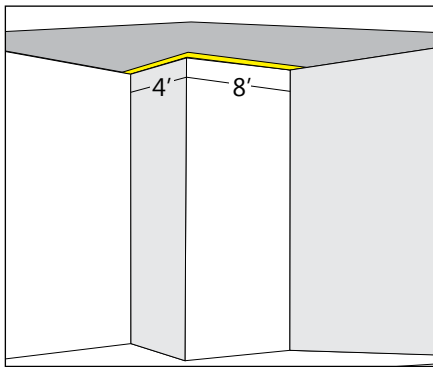
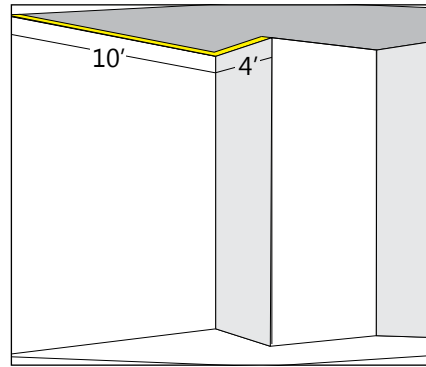


Project \_\_\_\_\_  
Type \_\_\_\_\_  
Notes \_\_\_\_\_



SCPLED	OPRO(1)	12'
PRODUCT ID	LINEAR OR CORNER QTY	TOTAL LENGTH



SCPLED	OPRI(1)	14'
PRODUCT ID	LINEAR OR CORNER QTY	TOTAL LENGTH

3D VIEW - Outside Corner Pattern

3D VIEW - Inside Corner Pattern

### Ordering Guide

SCPLED		CORNER QUANTITY (OPTIONAL)		NOM. LUMENS/FT		CRI		COLOR TEMP.		SHIELDING	
<b>SCPLED</b>	Sculpt Perimeter LED	<b>OPRO(#)</b>	open shape recessed outside lit corner	<b>300</b>	300 lm/ft - Minimum	<b>80</b>	80 CRI	<b>27</b>	2700 K	<b>FL</b>	flush
		<b>+OPRI(#)</b>	open shape recessed inside lit corner	<b>1000</b>	1000 lm/ft - Maximum	<b>90</b>	90 CRI	<b>30</b>	3000 K	<b>RG2</b>	regressed 2"
								<b>35</b>	3500 K		
								<b>40</b>	4000 K		
Outputs between listed min and max are available. Consult factory for outputs outside of the listed range.											

LENGTH		FINISH		VOLTAGE		DRIVER		CIRCUITS		MOUNTING	
#	total length	<b>W</b>	white	<b>120</b>	120 V	<b>DP</b>	dimming (0-10V) 1%	<b>1</b>	1 circuit	<b>TB9</b>	t-bar 9/16"
		<b>C</b>	custom	<b>277</b>	277 V	<b>LT</b>	Lutron <sup>(1)</sup>	<b>2</b>	2 circuits	<b>TB15</b>	t-bar 15/16"
				<b>347</b>	347 V	<b>BI</b>	bi-level dimming	<b>+E(#)</b>	emergency circuit <sup>(3)</sup>	<b>ST</b>	screw slot t-bar
				<b>UNV</b>	universal	<b>O</b>	other <sup>(2)</sup>	<b>+GTD(#)</b>	generator transfer device <sup>(3)</sup>	<b>TG9</b>	tegular 9/16"
										<b>DS</b>	drywall spackle flange
										<b>DF</b>	drywall flange
						(1) Specify system (2) Please consult factory; see page 2		(3) Specify quantity			

BATTERY (OPTIONAL)		POWER FEED (OPTIONAL)		OTHER (OPTIONAL)		CUSTOM (OPTIONAL)	
<b>B#</b>	battery pack 4' sections	<b>EF</b>	end feed	<b>F</b>	fuse <sup>(6)</sup>	<b>C</b>	custom
				<b>+FW(#)</b>	flex whip (6' std)		
				<b>+CP</b>	Chicago plenum		
Not available with 347V Please consult factory		See page 2 for more details		(6) Requires 120V or 277V		Please specify	



cULus Listed Type I.C.

### LED SYSTEM

<b>CRI</b>	Minimum 80 or 90 color rendering index
<b>CCT</b>	Choice of 2700K, 3000K, 3500K and 4000K color temperature with a great color consistency (within 3.0-step MacAdam ellipse).
<b>LED life</b>	Minimum 50,000h with 85% of lumen maintenance in 25°C ambient temperature, in compliance with IES LM-80 testing measurements.
<b>Thermal Management</b>	Aluminum housing acting as the heat sink to maximize life.

### CONSTRUCTION

<b>Housing</b>	Extruded aluminum (0.080" nominal) up to
<b>End Cap</b>	Die cast aluminum
<b>Interior Brackets</b>	Die formed sheet steel (20 gauge)
<b>Lenses</b>	Extruded acrylic (0.060" nominal) - injection moulded
<b>Hanger</b>	Die cast aluminum
<b>Suspension</b>	Sliding aircraft cable along product length
<b>Cable Grips</b>	Quick connecting / release

### ELECTRICAL

<b>Lutron driver</b>	LDE1 - EcoSystem H-Series (1%) LDE5 - EcoSystem 5-Series (5%) LTE - Hi-Lume® A-series 2Wires Forward Phase (1%)
----------------------	---

<b>Other drivers</b>	DALI - Digital Addressable Lighting Interface DMX - Digital Multiplex LV - line voltage - Advance Mark 10 Xitanium SR - For wireless sensor
----------------------	--

**Emergency** remote emergency battery pack or emergency circuit optional.

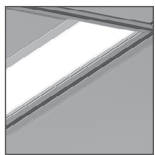
**Input Voltage** 120V, 277V, 347V, UNV.

**i** Incorporating these components may have limitations or affect the length of the luminaire. Please contact factory for more details.

### WARRANTY

Axis lighting will warrant defective LEDs, boards, and drivers for 5 years from date of purchase. Warranty is valid if luminaire is installed and used according to specifications. If defective, Axis will send replacement boards or drivers at no cost along with detailed replacement instructions and instructions on how to return defective components to Axis.

### SHIELDING - Frosted acrylic Spotless lens



FL flush

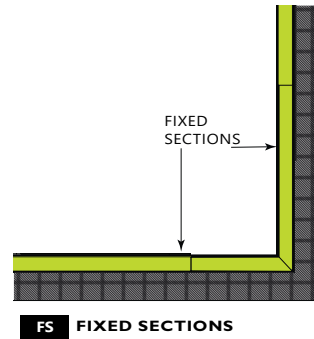


RG2 regressed 2"

### FINISH

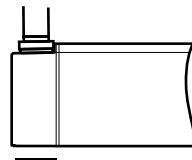
Powder coated and custom finishes are also available.

### FIXED SECTION

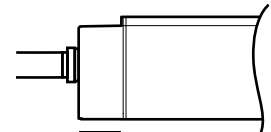


FS FIXED SECTIONS

### POWER FEED



TF TOP FEED standard



EF END FEED optional

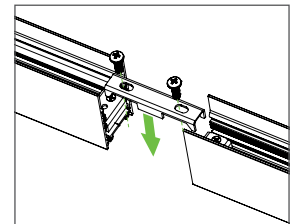
### WEIGHT

<b>Recessed 4 ft</b>	8 lbs / 3.6 kg
<b>Recessed 8 ft</b>	16 lbs / 7.3 kg
<b>Recessed 12 ft</b>	24 lbs / 10.9 kg

### JOINERS


In order to allow very long runs of SCULPT luminaires, Axis has developed an effective joining system. Special care has been taken to maximize the performance of the joiner for each SCULPT option.

**NOTE:** Mount each system segment individually. Do not assemble system prior to mounting.

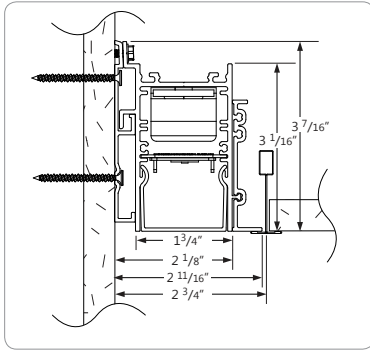


**i** Allow a minimum of 6" between end of long runs and vertical wall

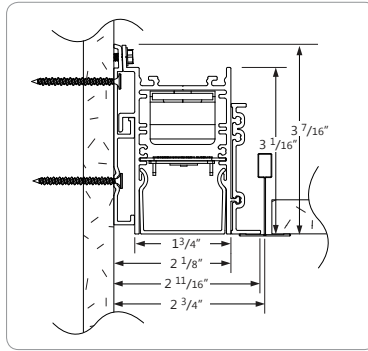
### APPROVALS

Certified to UL and CUL standards   
Meets CCEC requirements (Chicago plenum)  
Suitable for damp locations.  
IC Rated (Insulated ceiling)

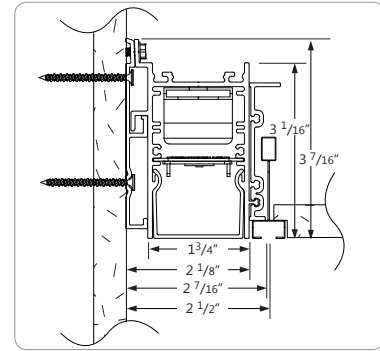
### ● TB CEILING MOUNTING OPTIONS



**TB9** 9/16" T-BAR

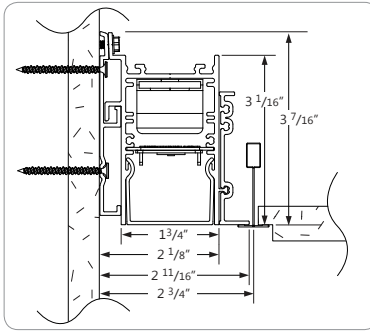


**TB15** 15/16" T-BAR

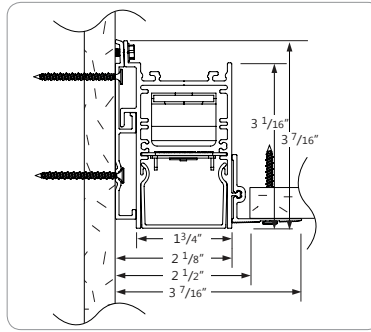


**ST** SCREW SLOT T-BAR

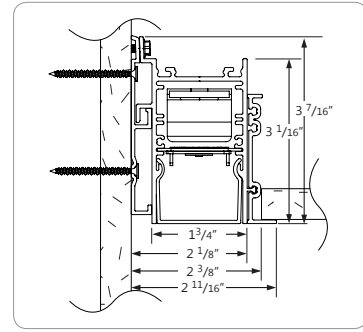
### ● DRYWALL CEILING MOUNTING OPTIONS



**TG9** TEGULAR 9/16"



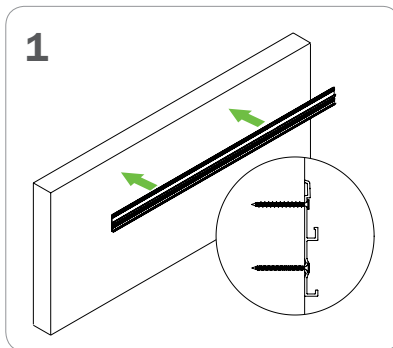
**DS** SPACKLE FLANGES



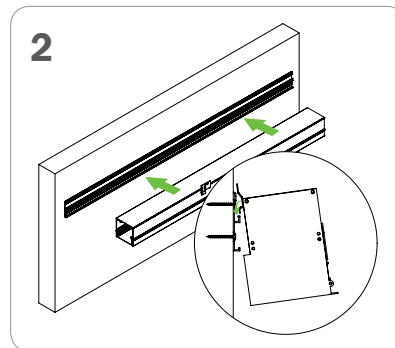
**DF** VISIBLE FLANGES  
WALL MOUNTING

**i** Shown with flush shielding

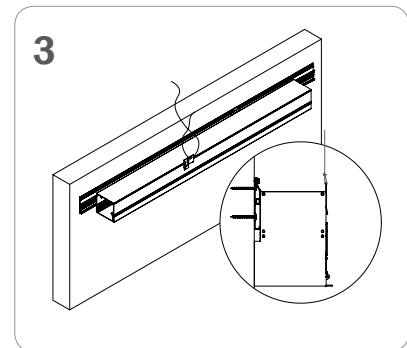
### ● INSTALLATION GUIDE



**1**  
Install wall track level and secure to structure at small grooves in extrusion.



**2**  
Hook Perimeter luminaire onto wall track.



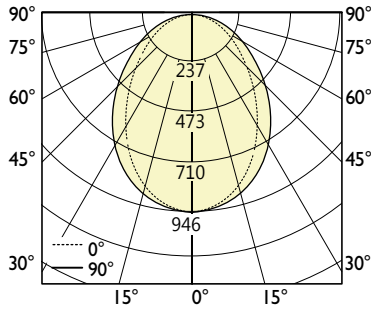
**3**  
Secure to wall track, secure to structure.

● **PHOTOMETRIC DATA (ADDITIONAL IES FILES AVAILABLE ON WEBSITE)**

500 lm/ft linear with Flush lens



**PHOTOMETRIC CURVE**



**Lumen/ft down: 501 lm/ft**  
**Total Lumens: 2004 lm (for 4ft)**  
**Input Watts: 22.2 W**  
**Efficacy: 90 lm/W**

80 CRI shown. For 90 CRI, divide wattage by 0.8 and multiply efficacy by 0.8.

IES FILE:SCR-500-80-35-F-4-W-UNV-D-1.IES

TESTED ACCORDING TO IES LM-79-2008

**CANDELA DISTRIBUTION**

Vertical Angle	0	22.5	45	67.5	90
0	943	943	943	943	943
5	932	938	934	938	940
15	884	887	872	860	859
25	788	780	750	723	715
35	656	641	599	559	544
45	508	491	446	408	392
55	361	346	310	279	266
65	227	216	193	174	167
75	110	105	96	88	86
85	21	21	23	24	23
90	0	1	3	4	4

**ZONAL LUMENS**

Zone	Lumens
0	
0-10	89
10-20	245
20-30	345
30-40	375
40-50	346
50-60	280
60-70	194
70-80	103
80-90	27
90	1

**LUMINANCE DATA (cd/m<sup>2</sup>)**

Vertical Angle	0	45	90
45	14871	13045	11453
55	13026	11161	9585
65	11088	9429	8163
75	8767	7698	6843
85	4868	5504	5504

**i** All IES files are available for download at: [www.axislighting.com](http://www.axislighting.com)