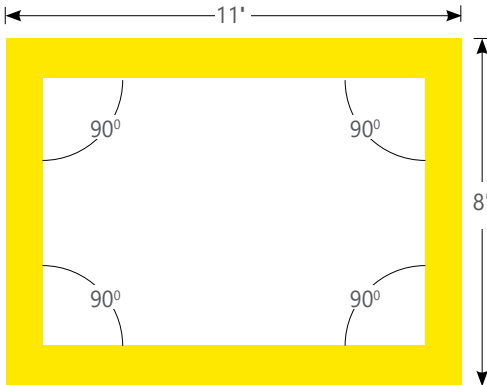




Project \_\_\_\_\_

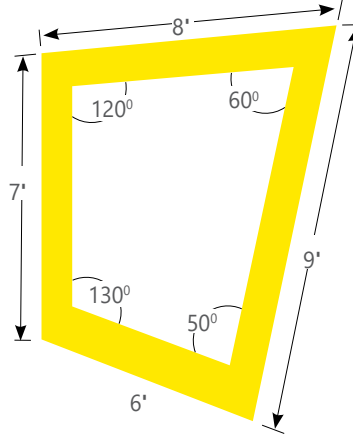
Type \_\_\_\_\_

Notes \_\_\_\_\_



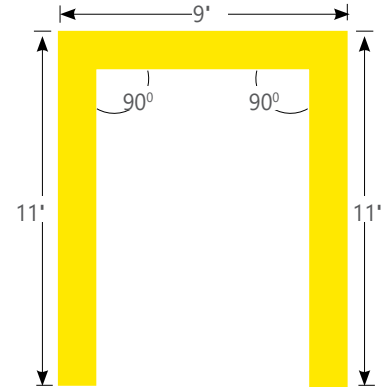
SCDPAT	REC	90+90+90+90	38'
PRODUCT ID	PATTERNS	CORNER ANGLE	LENGTH/FT

TOP VIEW - Rectangle Corner Pattern



SCDPAT	ASO	120+60+50+130	30'
PRODUCT ID	PATTERNS	CORNER ANGLE	LENGTH/FT

TOP VIEW - Corner Pattern



SCDPAT	OPR	90+90	31'
PRODUCT ID	PATTERNS	CORNER ANGLE	LENGTH/FT

TOP VIEW - Open Shape Corner Pattern

### Ordering Guide

PRODUCT ID	PATTERNS	CORNER ANGLE	NOM. LUMENS/FT UP (OPT.)	NOM. LUMENS/FT DOWN (OPT.)	CRI
SCDPAT	Sculpt Pendant Direct Patterns	<b>SQ</b> square regular lit corners	<b>90</b> 90 degrees	<b>300</b> 300 lm/ft - Min.	<b>80</b> 80 CRI
SCIPAT	Sculpt Pendant Indirect Patterns	<b>REC</b> rectangle regular lit corners	<b>#</b> other angle	<b>750</b> 750 lm/ft - Max.	<b>90</b> 90 CRI
SCDIPAT	Sculpt Pendant Direct/Indirect Patterns	<b>ASO</b> other shape regular lit corners <b>OPR</b> open shape regular lit corners			

Outputs between listed min and max are available. Consult factory for outputs outside of the listed range.

COLOR TEMP.	SHIELDING UP	SHIELDING DOWN	LENGTH/FT	SPECIFY LENGTH	FINISH	VOLTAGE	DRIVER
27 2700 K	<b>SO</b> spotless lens	<b>FL</b> flush	<b>#</b> total pattern length	<b>NL</b> nominal	<b>AP</b> aluminum paint	<b>120</b> 120 V	<b>DP</b> dimming (0-10V) 1%
30 3000 K	<b>BW</b> batwing lens	<b>0.5M</b> 0.5" StepLens, lum. end cap		<b>EX</b> exact	<b>W</b> white	<b>277</b> 277 V	<b>LT</b> lutron <sup>(1)</sup>
35 3500 K	<b>NO</b> No shielding*	<b>0.5P</b> 0.5" StepLens, opaque end cap			<b>BLK</b> black	<b>347</b> 347 V	<b>BI</b> bi-level dimming
40 4000 K		<b>2M</b> 2" StepLens, lum. end cap <b>2P</b> 2" StepLens, opaque end cap <b>+BL(#)</b> Blank (for flush option only)			<b>C</b> custom	<b>UNV</b> universal	<b>O</b> other <sup>(2)</sup>
	For Direct only	All lens options use spotless lens					(1) Specify system (2) Please consult factory; see page 2

CIRCUITS	MOUNTING	BATTERY - REMOTE (OPTIONAL)	OTHER (OPTIONAL)	IC CONTROL (OPTIONAL)	CUSTOM
<b>1</b> 1 circuit <b>2</b> 2 circuits <b>+E(#)</b> emergency section <sup>(3)</sup> <b>+NL(#)</b> night light section <sup>(3)</sup> <b>+GTD(#)</b> generator transfer device <sup>(3)</sup>	<b>CA(#)</b> drywall+cable length (36" std.) <b>CT9(#)</b> TB/TG 9/16+cable length (36" std.) <b>CT15(#)</b> TB/TG15/16+cable length (36" std.) <b>CTS(#)</b> ST+cable length (36" std.) <b>SA(#)</b> drywall+stem length >48" (18" std.) <b>+SM</b> seismic option	<b>B#</b> remote battery pack	<b>F</b> fuse <sup>(4)</sup> <b>FW(#)</b> flex whip (6' std.) <b>CP</b> Chicago plenum	<b>DS#</b> daylight sensor <sup>(5)</sup> <b>OS#</b> occupancy sensor <sup>(5)</sup> <b>DOS#</b> daylight & occupancy sensor <sup>(5)</sup> <b>EN#</b> Enlighted integral <sup>(5)</sup> <b>ENR#</b> Enlighted remote <sup>(6)</sup>	<b>C</b> custom
(3) Specify quantity	Specify length	Remote only; Please consult factory	(4) Requires 120V or 277V	(5) For flush option only; Please consult factory (6) Please consult factory For StepLens, please consult factory Specify quantity. Requires 7" blank See pages 4-5 for more details	Please specify

### ● LIT CORNER FEATURES

The Lit Corner system allows continuous illumination all the way through the corner section

To optimize corner illumination, lit corners are created as integral components of the linear sections. Linear sections have mitered ends that connect to corresponding mitered ends of neighboring linear sections.

Illuminated Corners are more complex. Because the corner is fully illuminated, the corner is not independent of the straight sections, but integrated into the straight segment's housing. The corner is mitered, allowing a seamless line of light.

There are three types of illuminated corner available:

1. **Regular Illuminated Corner** - This is a fully illuminated 90 degree corner that lies in the same plane, for example, the ceiling or wall.
2. **Inside Illuminated Corner.** This corner runs up the wall, then across the ceiling. (Please use the "Inside & Outside lit corner patterns spec sheet" to specify and Inside lit corner).
3. **Outside Illuminated Corner** - This corner would run across a ceiling then up a bulkhead. (Please use the "Inside & Outside lit corner patterns spec sheet" to specify and Outside lit corner).

**TIP:** Provide sketches illustrating corner types and locations required.

