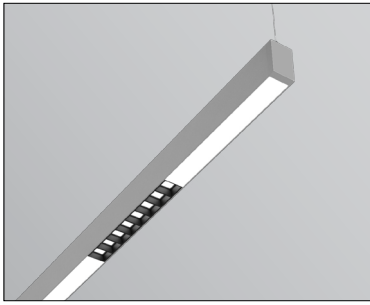
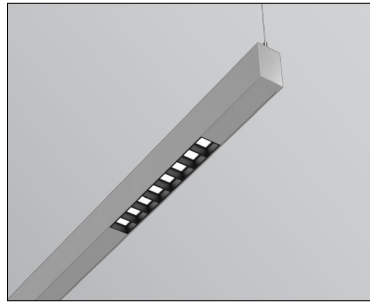


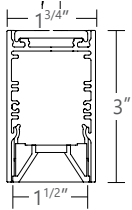
SCULPT MikroLite™ 1.5 PENDANT - COMBINED DISTRIBUTION



Spotless lens and MikroLite shown



Blank and MikroLite shown



*See page 3 for other section views



MLA - 2 CELLS



MLB - 8 CELLS

Project _____
 Type _____
 Notes _____

A configuration drawing is required

Factory is available for assistance
 See page 2 for example of how to specify

PERFORMANCE PER LINEAR FOOT AT 3500K

LENS	NOMINAL LUMEN OUTPUT		INPUT WATTS*	EFFICACY
	UPLIGHT	DOWNLIGHT		
Spotless	750 lm/ft	500 lm/ft	11.9 W/ft	105 lm/W
Batwing	640 lm/ft		5.8 W/ft	103 lm/W

Please consult factory for custom lumen output and wattage.

Ordering Guide



SCML	PRODUCT ID	TOTAL LENGTH	OPTIC - UP (OPT.)	NOM. LUMENS/FT UP (OPT.)	OPTIC DOWN (OPT.)	NOM. LUMENS/FT DOWN - (OPT.)
SCML Sculpt Pendant MikroLite	2	2'	SOU spotless lens up	300 300 lm/ft - Minimum	SOD spotless lens down	300 300 lm/ft - Minimum
	3	3'	BW batwing lens	750 750 lm/ft - Maximum	BL blank	500 500 lm/ft - Maximum
	4	4'				
	5	5'				
	6	6'				
	8	8'				
	12	12'				
	S#	System Run				

Outputs between listed min and max are available. Consult factory for outputs outside of the listed range.

MikroLite MODULES Quantity	NOM. LUMENS/FT - MikroLite	MikroLite CELL FINISH
+MLA(#) MikroLite module quantity - 2 cells	200 200 lm/ft - Minimum	GR grey
+MLB(#) MikroLite module quantity - 8 cells	1000 1000 lm/ft - Maximum	W white
		BLK black

Minimum MikroLite length is 12" (2x2 cells or 8 cells) increasing in increments of 2 cells. Consult factory for lumen outputs for lengths under 24". Total module length cannot exceed total fixture length. Only available with 55 deg beam spread.

Outputs between listed min and max are available. Consult factory for outputs outside of the listed range.

CRI	COLOR TEMP.	FINISH	VOLTAGE	DRIVER	CIRCUITS
80 80 CRI	27 2700 K	AP aluminum paint	120 120 V	DP dimming (0-10V) 1%	1 1 circuit ⁽⁵⁾
90 90 CRI	30 3000 K	W white	277 277 V	LT lutron ⁽³⁾	2 2 circuits ⁽⁶⁾
	35 3500 K	BLK black	347 347 V ⁽²⁾	BI bi-level dimming	+E(#) emergency section ⁽⁷⁾
	40 4000 K	C custom	UNV universal	O other ⁽⁴⁾	+NL(#) night light section ⁽⁷⁾
					+GTD(#) generator transfer device ⁽⁷⁾

Applies for all optics. [Consult Axitune spec sheet for Axis color technology options](#)

Applies to both UP & DOWN. (2) D dimming (0-10V) 5% standard

Applies to both UP & DOWN. (3) Specify system (4) Please consult factory; see page 2 [Consult Axitune spec sheet for Axis color driver options](#)

(5) Control UP & DOWN lights together (6) Control UP & DOWN lights separately. Minimum 3 ft length. (7) Specify quantity

MOUNTING	BATTERY (OPT.)	OTHER (OPT.)	IC CONTROLS (OPT.)	CUSTOM (OPT.)
CA(#) drywall+cable length (36" std.)	B# battery pack	F fuse ⁽⁸⁾	DS# daylight sensor ⁽⁹⁾	C custom
CT9(#) TB/TG 9/16+cable length (36" std.)		FW(#) flex whip (6' std)	OS# occupancy sensor ⁽⁹⁾	
CT15(#) TB/TG15/16+cable length (36" std.)			DOS# daylight & occupancy sensor ⁽⁹⁾	
CTS(#) screw slot+cable length (36" std.)			EN# Enlighted integral ⁽⁹⁾	
SA(#) drywall+stem length >48" (18" std.)*			ENR# Enlighted remote ⁽⁹⁾	
+SM seismic option			WC# wireless control dimming	

Specify length
 *For stem option, please consult factory.

5' minimum. For lengths under 5' - battery pack is remote only. Not available with 347V. Please consult factory

(8) Requires 120V or 277V

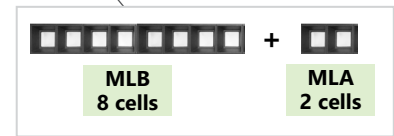
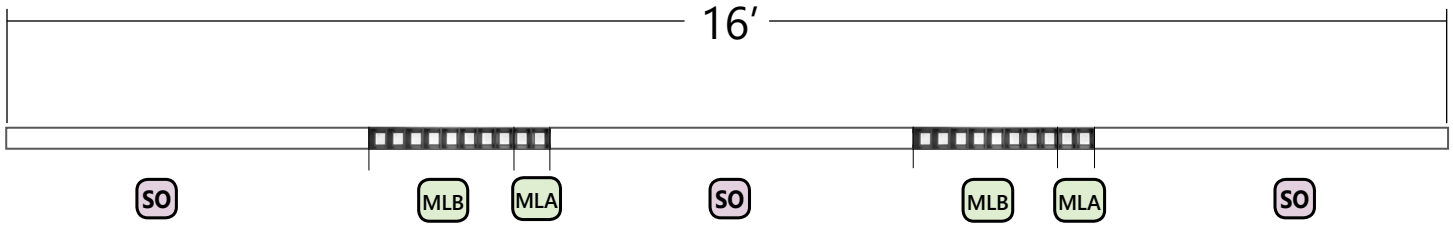
(9) Please consult factory. Applies to both UP & DOWN. Specify quantity. Requires 7" blank. See integrated controls guide for more details.

Please specify

How to Specify Combined Distributions

Example for Optic up, Optic down and MikroLite™ down

Bottom view shown



1. Specify Total Length

16
TOTAL LENGTH

2. Specify Optic - Up

SOU
OPTIC - UP

3. Specify Optic - Down

SOD
OPTIC - DOWN

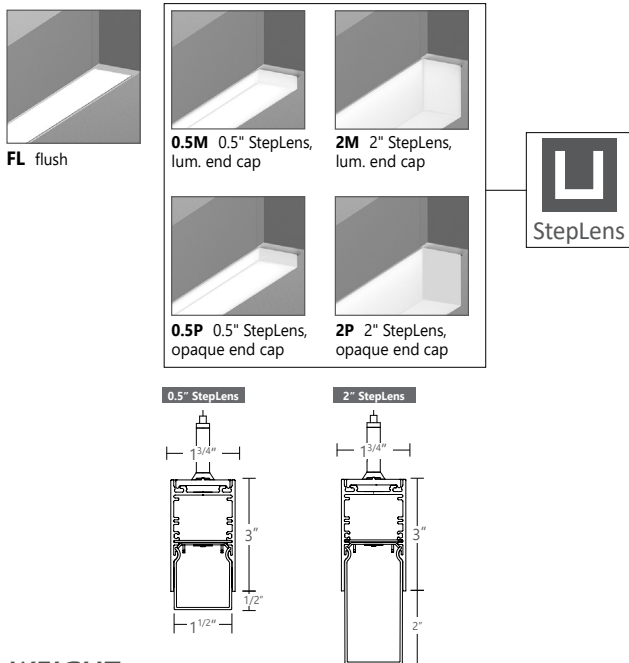
4. Specify MikroLite MODULES Quantity (Down)

MLB(2)+MLA(2)
MikroLite MODULES QUANTITY

LED SYSTEM

LED System	Cluster of 4 LED in each MikroLite cell
LED optical System	Axis patent pending mixing chamber optic for high efficacy light control with deep square in square architectural downlight trim
CRI	Minimum 80 or 90 color rendering index
CCT	Choice of 2700K, 3000K, 3500K and 4000K color temperature with a great color consistency (within 3.0-step MacAdam ellipse).
Color Tuning	Cluster of 4 LED 2 on each diagonal for pure color mixing and no color over angle effects in the space
LED life	Minimum 50,000h with 85% of lumen maintenance in 25°C ambient temperature, in compliance with IES LM-80 testing measurements.
Thermal Management	Aluminum housing acting as the heat sink to maximize life.

SHIELDING - Frosted acrylic Spotless lens



WEIGHT

Pendant 4 ft	8 lbs / 3.6 kg
Pendant 8 ft	16 lbs / 7.3 kg
Pendant 12 ft	24 lbs / 10.9 kg

SYSTEM (S#)

SCULPT linear systems, with the use of a strong profile, allow for a nearly hair thin connection system of continuous runs. Lengths of 4', 8', 12' as well as custom lengths are available. Runs of SCULPT that are greater than 12' in length are designated as systems (S#). This means that the run is comprised of a combination of 4', 8' and/or 12' sections to be assembled on site using our joining system. For more information on systems and joining.

APPROVALS

Certified to UL and CSA standards Suitable for damp locations.



CONSTRUCTION

Housing	Extruded aluminum (0.080" nominal) up to
End Cap	Die cast aluminum
Interior Brackets	Die formed sheet steel (20 gauge)
Reflectors	White powder coated sheet steel (22 gauge)
Lenses	Extruded acrylic (0.060" nominal) - injection moulded
Hanger	Die cast aluminum
Suspension	Sliding aircraft cable along product length
Cable Grips	Quick connecting / release
MikroLite Heat Sink	Extruded aluminum

ELECTRICAL

Lutron driver*	LDE1 - EcoSystem H-Series (1%) LDE5 - EcoSystem 5-Series (5%) LTE - Hi-Lume® A-series 2Wires Forward Phase (1%) *Consult factory
-----------------------	---

Other drivers	DALI - Digital Addressable Lighting Interface DMX - Digital Multiplex LV - line voltage - Advance Mark 10 Xitanium SR - For wireless sensor
Emergency	Integral emergency battery pack or emergency circuit optional.

Input Voltage	120V, 277V, 347V, UNV.
----------------------	------------------------

i Incorporating these components may have limitations or affect the length of the luminaire. Please contact factory for more details.

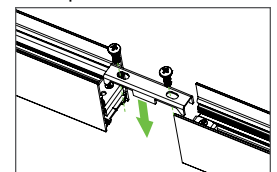
WARRANTY

Axis Lighting will warrant defective LEDs, boards, and drivers for 5 years from date of purchase. Warranty is valid if luminaire is installed and used according to specifications. If defective, Axis will send replacement boards or drivers at no cost along with detailed replacement instructions and instructions on how to return defective components to Axis.

JOINERS

In order to allow very long runs of SCULPT luminaires, Axis has developed an effective joining system. Special care has been taken to maximize the performance of the joiner for each SCULPT option.

NOTE: Mount each system segment individually. Do not assemble system prior to mounting.



i Allow a minimum of 6" between end of long runs and vertical wall

FINISH

Aluminum paint, powder coated and custom finishes are also available.

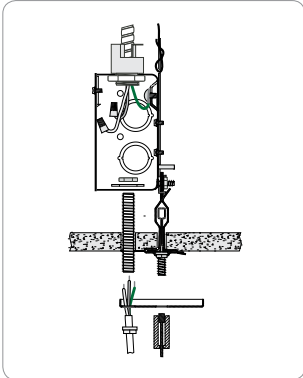
OTHER MOUNTING OPTIONS

SCULPT is also available with surface, pendant and recessed vertical mounted options.

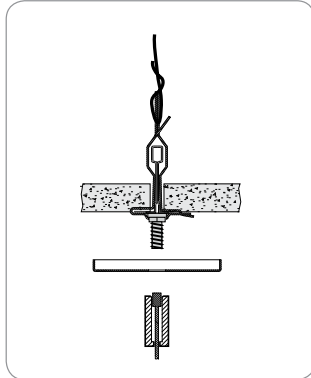
i Specification sheets and installation sheets for all mounting for SCULPT luminaires are available for download at www.axislighting.com

● MOUNTING OPTIONS

CT9 CT15 CTS TILE CEILING - ON GRID

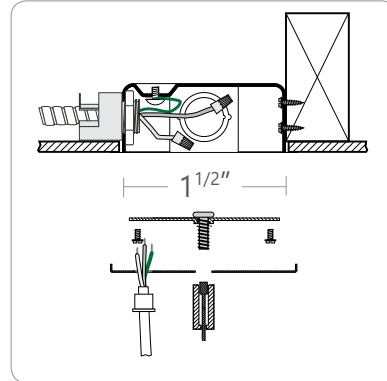


Power feed

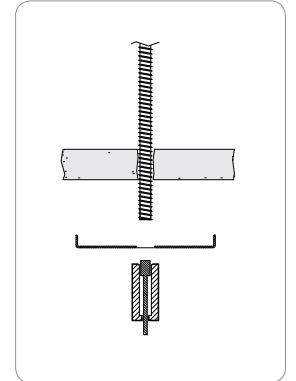


Non power feed

CA DRYWALL CEILING



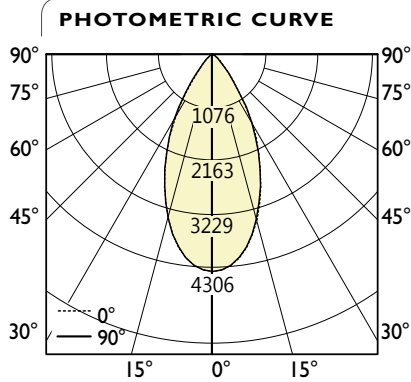
Power feed



Non power feed

● PHOTOMETRIC DATA

MikroLite - 3ft
1000 lm/ft



Direct Output: 1000 lm/ft
Total Lumens: 3262 lm (for 3ft)
Input Watts: 32.06 W
Efficacy: 102 lm/W

IES FILE: SCULPT-1000-90-MIKROLITE-3.IES
 TESTED ACCORDING TO IES LM-79-2008

CANDELA DISTRIBUTION

Vertical Angle	Horizontal Angles				
	0	22.5	45	67.5	90
0	4306	4306	4306	4306	4306
5	4202	4200	4199	4199	4198
15	3389	3397	3400	3391	3378
25	2162	2164	2149	2161	2151
35	896	969	1060	1016	933
45	266	276	320	285	273
55	81	83	63	84	84
65	1	3	10	3	0
75	0	0	0	0	0
85	0	0	0	0	0
90	0	1	0	0	0

ZONAL LUMENS

Zone	Lumens
0	391
0-10	940
10-20	985
20-30	626
30-40	238
40-50	74
50-60	9
60-70	0
70-80	0
80-90	0
90	0

LUMINANCE DATA (cd/m²)

Vertical Angle	Horizontal Angles		
	0	45	90
45	10571	12714	10833
55	3962	3107	4125
65	35	634	0
75	0	0	0
85	0	0	0

i All IES files are available for download at: www.axislighting.com