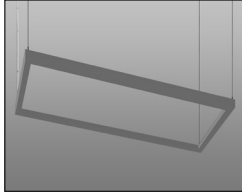
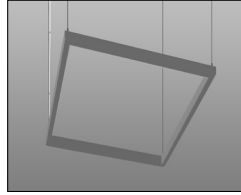


Linear version shown



2'x6' ceiling kit shown



4'x4' ceiling kit shown

Project \_\_\_\_\_

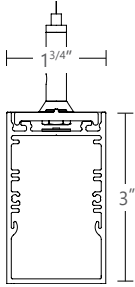
Type \_\_\_\_\_

Notes \_\_\_\_\_

### PERFORMANCE PER LINEAR FOOT AT 3500K

NOMINAL LUMEN OUTPUT	INPUT WATTS*	EFFICACY
<b>UPLIGHT</b>		
750 lm/ft	6.35 W/ft	118 lm/W
500 lm/ft	4.17 W/ft	120 lm/W
300 lm/ft	2.45 W/ft	122 lm/W
640 lm/ft	5.8 W/ft	103 lm/W

Please consult factory for custom lumen output and wattage.



### Ordering Guide



SCI		PRODUCT ID		NOM. LUMENS/FT	CRI	COLOR TEMP.	SHIELDING UP	LINEAR LENGTH or CEILING KIT (select one)	
SCI	Pendant Indirect	300	500	300 lm/ft - Minimum 500 lm/ft - Maximum	80 90	27 30 35 40	SO BW	2 3 4 6 8 12 S#	2' 3' 4' 6' 8' 12' System Run
					80 CRI 90 CRI	2700 K 3000 K 3500 K 4000 K	spotless lens batwing lens	L U 2x2 2x4 2x6 2x8 2x10 2x12 4x4	L shape 2' <sup>(1)</sup> U shape 2' <sup>(1)</sup> 2'x2' <sup>(1)</sup> 2'x4' <sup>(1)</sup> 2'x6' <sup>(1)</sup> 2'x8' <sup>(1)</sup> 2'x10' <sup>(1)</sup> 2'x12' <sup>(1)</sup> 4'x4' <sup>(1)</sup>
Outputs between listed min and max are available. Consult factory for outputs outside of the listed range.								(1) Available as kit; See page 2 for more details; Sculpt accommodates any length. Metric lengths also available, please consult factory. For other patterns refer to Corners & Patterns Spec Sheet.	

FINISH		VOLTAGE		DRIVER		CIRCUITS	
AP	aluminum paint	120	120 V	DP	dimming (0-10V) 1%	1	1 circuit
W	white	277	277 V	LT	lutron <sup>(2)</sup>	+E(#)	emergency section <sup>(4)</sup>
BLK	black	347	347 V	BI	bi-level dimming	+NL(#)	night light section <sup>(4)</sup>
C	custom	UNV	universal	O	other <sup>(3)</sup>	+GTD(#)	generator transfer device <sup>(4)</sup>
						(2) Specify system (3) Please consult factory; see page 2	
						(4) Specify quantity	

MOUNTING/SUSPENSION	BATTERY (OPTIONAL)	OTHER (OPTIONAL)	IC CONTROLS (OPTIONAL)	CUSTOM (OPTIONAL)
CA(#) CT9(#) CT15(#) CTS(#) SA(#) +SM	B#	F FW(#)	DS# OS# DOS# EN# ENR# WC#	C
drywall+cable length (36" std.) TB/TG 9/16+cable length (36" std.) TB/TG15/16+cable length (36" std.) screw slot+cable length (36" std.) drywall+stem length >48" (18" std.)* seismic option	battery pack 4' sections	fuse <sup>(5)</sup> flex whip (6' std)	daylight sensor <sup>(6)</sup> occupancy sensor <sup>(6)</sup> daylight & occupancy sensor <sup>(6)</sup> Enlighted integral <sup>(6)</sup> Enlighted remote <sup>(7)</sup> wireless control dimming	custom
Specify length *For stem option, please consult factory.	Not available with 347V Please consult factory	(5) Requires 120V or 277V	(6) For flush option only; Please consult factory (7) Please consult factory Specify quantity. Requires 7" blank See integrated controls guide for more details.	Please specify

# Geometric Lighting



## The Ceiling is Your Canvas.

Developed by Axis, Geometric Lighting lets you choose from a palette of light forms to create an infinite number of lighting configurations, regardless of ceiling or mounting type. Sculpt is the first luminaire family engineered by Axis to provide Geometric Lighting, in addition to standard linear lighting.

### Geometric Lighting Benefits

- Freedom from traditional illuminated ceiling footprints.
- Drag and drop design enabling never-before-seen patterns.
- Traces of light resulting in a smaller footprint (negative space).
- A cleaner ceiling appearance through patent-pending technology.
- No performance trade-offs.

### An Exclusive Palette of Geometric Lighting Ceiling Kits RECESSED • PENDANT • SURFACE



### Ceiling Kit Features

- UL-listed
- Easy to specify – No complex shop drawings required
- Metric versions also available
- Illuminated corners and hairline joints
- Integrated driver
- Integrated MiniFlange (patent pending) enables use of a single T-bar in recessed applications.
- T-Aligner (**Patent Number: 9416535 B1**) offers a foolproof solution for aligning cut T-bars.
- Improved lighting control possibilities, including low-energy and layered illumination, through the use of sensors and multiple drivers to put light where you need it, when you need it.

### ● LED SYSTEM

<b>CRI</b>	Minimum 80 or 90 color rendering index
<b>CCT</b>	Choice of 3000K, 3500K and 4000K color temperature with a great color consistency (within 3.0-step MacAdam ellipse).
<b>LED life</b>	Minimum 50,000h with 85% of lumen maintenance in 25°C ambient temperature, in compliance with IES LM-80 testing measurements.
<b>Thermal Management</b>	Aluminum housing acting as the heat sink to maximize life.

### ● CONSTRUCTION

<b>Housing</b>	Extruded aluminum (0.080" nominal) up to
<b>End Cap</b>	Die cast aluminum
<b>Interior Brackets</b>	Die formed sheet steel (20 gauge)
<b>Reflectors</b>	White powder coated sheet steel (22 gauge)
<b>Lenses</b>	Extruded acrylic (0.060" nominal) - injection moulded
<b>Hanger</b>	Die cast aluminum
<b>Suspension</b>	Sliding aircraft cable along product length
<b>Cable Grips</b>	Quick connecting / release

### ● ELECTRICAL

<b>Lutron driver*</b>	LDE1 - EcoSystem H-Series (1%) LDE5 - EcoSystem 5-Series (5%) LTE - Hi-Lume® A-series 2Wires Forward Phase (1%) *Consult factory
-----------------------	---

<b>Other drivers</b>	DALI - Digital Addressable Lighting Interface DMX - Digital Multiplex LV - line voltage - Advance Mark 10 Xitanium SR - For wireless sensor
<b>Emergency</b>	Integral emergency battery pack or emergency circuit optional.

**Input Voltage** 120V, 277V, 347V, UNV.

**i** Incorporating these components may have limitations or affect the length of the luminaire. Please contact factory for more details.

### ● WARRANTY

Axis lighting will warrant defective LEDs, boards, and drivers for 5 years from date of purchase. Warranty is valid if luminaire is installed and used according to specifications. If defective, Axis will send replacement boards or drivers at no cost along with detailed replacement instructions and instructions on how to return defective components to Axis.

### ● WEIGHT

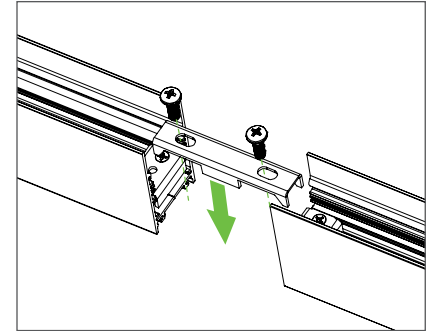
<b>Indirect 4 ft</b>	8 lbs / 3.6 kg
<b>Indirect 8 ft</b>	16 lbs / 7.3 kg
<b>Indirect 12 ft</b>	24 lbs / 10.9 kg

### ● FINISH

Aluminum paint, powder coated and custom finishes are also available.

### ● JOINERS


In order to allow very long runs of SCULPT luminaires, Axis has developed an effective joining system. Special care has been taken to maximize the performance of the joiner for each SCULPT option.



**NOTE:** Mount each system segment individually. Do not assemble system prior to mounting.

**i** Allow a minimum of 6" between end of long runs and vertical wall

### ● APPROVALS

Certified to UL and CSA standards  Suitable for damp locations.

### ● SYSTEM (S#)

SCULPT linear systems, with the use of a strong profile, allow for a nearly hair thin connection system of continuous runs. Lengths of 4', 8', 12' as well as custom lengths are available. Runs of SCULPT that are greater than 12' in length are designated as systems (S#). This means that the run is comprised of a combination of 4', 8' and/or 12' sections to be assembled on site using our joining system. For more information on systems and joining.

### ● CORNERS

**i** For custom corner, please consult factory. Specifications sheets for all corners are available at [www.axislighting.com](http://www.axislighting.com)

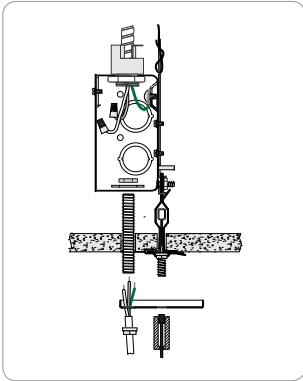
### ● OTHER MOUNTING OPTIONS

SCULPT LED is also available with surface recessed and recessed vertical mounted options.

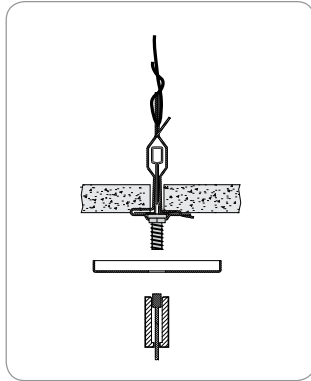
**i** Specification sheets and Installation sheets for all mounting for SCULPT luminaires are available for download at [www.axislighting.com](http://www.axislighting.com)

### ● MOUNTING OPTIONS

#### GT TILE CEILING - ON GRID

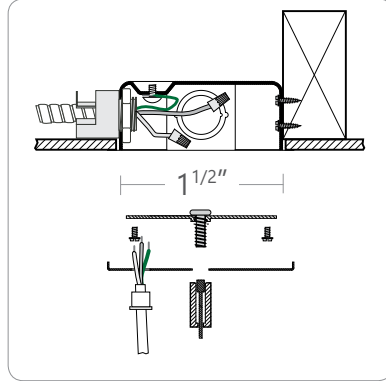


Power feed

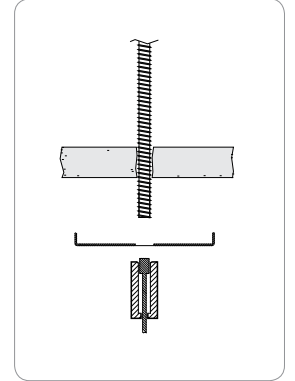


Non power feed

#### CA DRYWALL CEILING

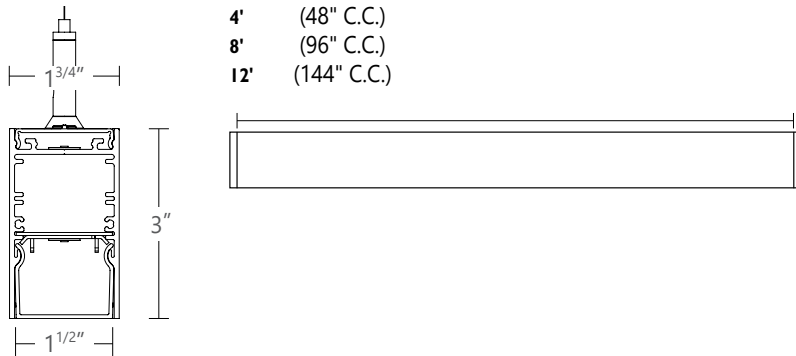


Power feed



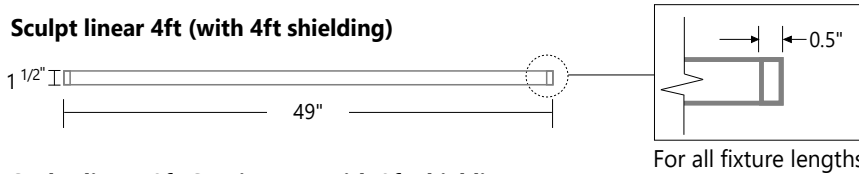
Non power feed

### ● MOUNTING SPACING END TO END

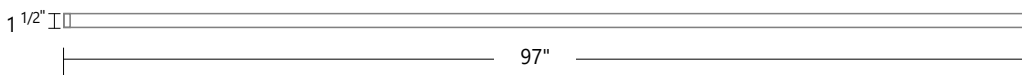


### ● LENGTHS

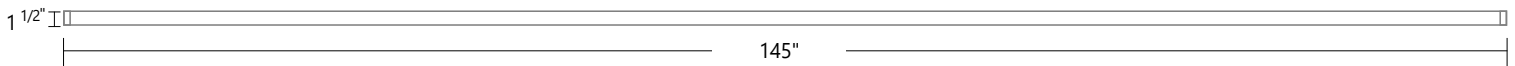
#### Sculpt linear 4ft (with 4ft shielding)



#### Sculpt linear 8ft Continuous (with 8ft shielding)



#### Sculpt linear 12ft (with 4ft shielding)



#### Sculpt Kits Continuous



2'x6'



2'x10'



2'x8'

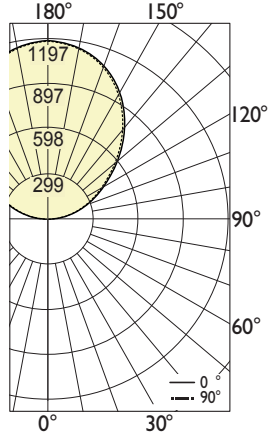


2'x12'

### ● PHOTOMETRIC DATA

Uplight  
750 lm/ft

#### PHOTOMETRIC CURVE



**Lumen/ft up: 750 lm/ft**  
**Total Lumens: 3000 lm (for 4ft)**  
**Input Watts: 25.4 W**  
**Efficacy: 118 lm/W**

80 CRI shown. For 90 CRI, divide wattage by 0.8 and multiply efficacy by 0.8.  
 IES FILE:SCI-B4-750-80-35-NO-4-W-UNV-D-1.IES

TESTED ACCORDING TO IES LM-79-2008

#### CANDELA DISTRIBUTION

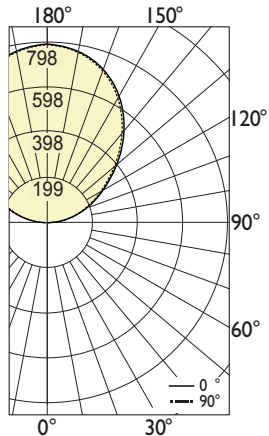
Vertical Angle	Horizontal Angles				
	0	22.5	45	67.5	90
90	0	0	0	0	0
95	37	40	45	47	47
105	171	171	172	170	168
115	334	332	328	327	322
125	514	514	507	503	497
135	705	705	698	691	686
145	885	883	877	870	866
155	1030	1031	1027	1019	1017
165	1132	1131	1133	1131	1130
175	1185	1191	1187	1183	1181
180	1193	1193	1193	1193	1193

#### ZONAL LUMENS

Zone	Lumens
90	
90-100	50
100-110	181
110-120	326
120-130	454
130-140	537
140-150	548
150-160	472
160-170	319
170-180	113
180	

Uplight  
500 lm/ft

#### PHOTOMETRIC CURVE



**Lumen/ft up: 500 lm/ft**  
**Total Lumens: 2000 lm (for 4ft)**  
**Input Watts: 16.7 W**  
**Efficacy: 120 lm/W**

80 CRI shown. For 90 CRI, divide wattage by 0.8 and multiply efficacy by 0.8.  
 IES FILE:SCI-B4-500-80-35-NO-4-W-UNV-D-1.IES

TESTED ACCORDING TO IES LM-79-2008

#### CANDELA DISTRIBUTION

Vertical Angle	Horizontal Angles				
	0	22.5	45	67.5	90
90	0	0	0	0	0
95	25	27	30	32	32
105	114	114	114	113	112
115	223	221	219	218	215
125	343	343	338	335	331
135	470	470	465	461	457
145	590	589	584	580	578
155	686	687	685	680	678
165	754	754	755	754	753
175	790	794	792	788	787
180	795	795	795	795	795

#### ZONAL LUMENS

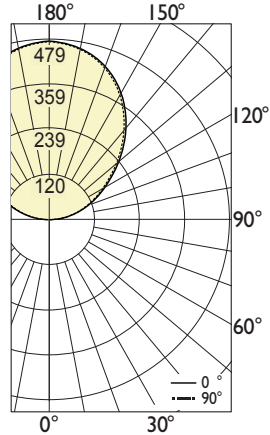
Zone	Lumens
90	
90-100	34
100-110	121
110-120	218
120-130	303
130-140	358
140-150	365
150-160	315
160-170	212
170-180	75
180	

**i** All IES files are available for download at: [www.axislighting.com](http://www.axislighting.com)

### PHOTOMETRIC DATA

Uplight  
300 lm/ft

#### PHOTOMETRIC CURVE



**Lumen/ft up: 300 lm/ft**  
**Total Lumens: 1200 lm (for 4ft)**  
**Input Watts: 9.8 W**  
**Efficacy: 122 lm/W**

80 CRI shown. For 90 CRI, divide wattage by 0.8 and multiply efficacy by 0.8.

IES FILE: SCI-B4-300-80-35-NO-4-W-UNV-D-1.IES

TESTED ACCORDING TO IES LM-79-2008

#### CANDELA DISTRIBUTION

Vertical Angle	Horizontal Angles				
	0	22.5	45	67.5	90
90	0	0	0	0	0
95	15	16	18	19	19
105	68	68	69	68	67
115	134	133	131	131	129
125	206	206	203	201	199
135	282	282	279	276	274
145	354	353	351	348	347
155	412	412	411	408	407
165	453	452	453	452	452
175	474	476	475	473	472
180	477	477	477	477	477

#### ZONAL LUMENS

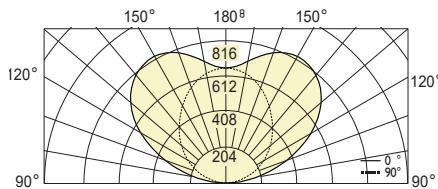
Zone	Lumens
90	
90-100	20
100-110	73
110-120	131
120-130	182
130-140	215
140-150	219
150-160	189
160-170	127
170-180	45
180	

**i** All IES files are available for download at: [www.axislighting.com](http://www.axislighting.com)

### PHOTOMETRIC DATA - BATWING

Uplight Batwing  
640 lm/ft

#### PHOTOMETRIC CURVE



**Lumen/ft up: 640 lm/ft**  
**Total Lumens: 2389 lm (for 4ft)**  
**Input Watts: 23.1 W**  
**Efficacy: 103 lm/W**

80 CRI shown. For 90 CRI, divide wattage by 0.8 and multiply efficacy by 0.8.

IES FILE: SCI-640-80-35-BW-4-W-UNV-DP-1-CA.IES

TESTED ACCORDING TO IES LM-79-2008

#### CANDELA DISTRIBUTION

Vertical Angle	Horizontal Angles				
	0	22.5	45	67.5	90
90	10	12	9	2	1
95	80	78	64	27	24
105	258	252	218	105	107
115	454	445	388	195	199
125	630	613	533	280	283
135	751	727	632	354	367
145	810	783	686	412	449
155	806	779	697	456	532
165	737	720	675	486	602
175	658	656	649	501	640
180	646	646	646	646	646

#### ZONAL LUMENS

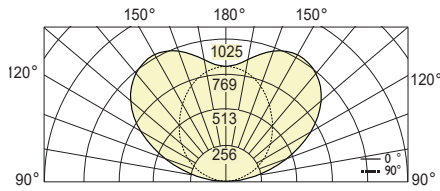
Zone	Lumens
90	
90-100	63
100-110	201
110-120	334
120-130	420
130-140	438
140-150	393
150-160	300
160-170	181
170-180	59
180	

**i** All IES files are available for download at: [www.axislighting.com](http://www.axislighting.com)

### ● PHOTOMETRIC DATA - BATWING

Uplight Batwing  
750 lm/ft

#### PHOTOMETRIC CURVE



**Lumen/ft up: 750 lm/ft**  
**Total Lumens: 3000 lm (for 4ft)**  
**Input Watts: 29.1 W**  
**Efficacy: 103 lm/W**

80 CRI shown. For 90 CRI, divide wattage by 0.8 and multiply efficacy by 0.8.

IES FILE: SCI-750-80-35-BW-4-W-UNV-DP-1-CA.IES

TESTED ACCORDING TO IES LM-79-2008

#### CANDELA DISTRIBUTION

Vertical Angle	Horizontal Angles				
	0	22.5	45	67.5	90
90	2	3	11	16	12
95	30	34	81	98	101
105	134	132	274	317	324
115	249	244	487	559	570
125	356	351	669	770	791
135	461	445	794	913	943
145	563	518	862	983	1017
155	668	573	876	979	1012
165	756	611	848	904	926
175	804	629	816	824	827
180	811	811	811	811	811

#### ZONAL LUMENS

Zone	Lumens
90	
90-100	79
100-110	252
110-120	420
120-130	527
130-140	550
140-150	493
150-160	377
160-170	227
170-180	74
180	

**i** All IES files are available for download at: [www.axislighting.com](http://www.axislighting.com)