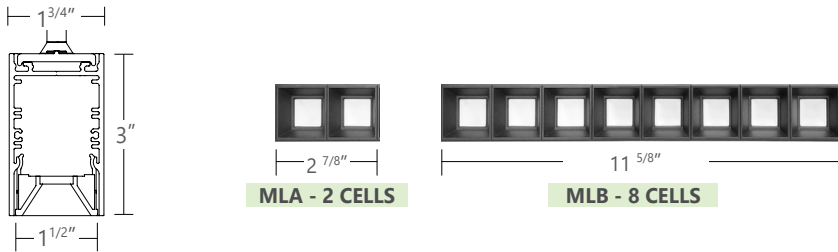


Project _____
 Type _____
 Notes _____

MikroLite shown



MikroLite™



CONTROL SENSORS

Ordering Guide

SCDMLO		MikroLite MODULE		MikroLite NOM. LUMENS/FT		MikroLite CRI		MikroLite COLOR TEMP		OPTICS		MikroLite CELL FINISH	
SCDMLO	Sculpt with MikroLite only	+MLA(#)	MikroLite module quantity - 2 cells	200	200 lm/ft - Minimum	80	80 CRI	27	2700K	ST	standard	GR	grey
		+MLB(#)	MikroLite module quantity - 8 cells	1000	1000 lm/ft - Maximum	90	90 CRI	30	3000K			W	white
								35	3500K			BLK	black
								40	4000K				
		Minimum MikroLite length is 12" (2x2 cells or 8 cells) increasing in increments of 2 cells. Consult factory for lumen outputs for lengths under 24". Total module length cannot exceed total fixture length. Only available with 55 deg beam spread.		Outputs between listed min and max are available. Consult factory for outputs outside of the listed range.				Consult Axitune spec sheet for Axis color technology options					

FINISH		VOLTAGE		DRIVER		CIRCUITS	
AP	aluminum paint	120	120 V	DP	dimming (0-10V) 1%	1	1 circuit
W	white	277	277 V	LT	lutron ⁽²⁾	2	2 circuits
BLK	black	347	347 V ⁽¹⁾	BI	bi-level dimming	+E(#)	emergency section ⁽⁴⁾
C	custom	UNV	universal	O	other ⁽³⁾		
		(1) D dimming (0-10V) 5% standard		(2) Specify system (3) Please consult factory; see page 2		Minimum 3 ft length. (4) Specify quantity	

MOUNTING/SUSPENSION		BATTERY (OPTIONAL)		OTHER (OPTIONAL)		IC CONTROLS (OPTIONAL)		CUSTOM (OPTIONAL)	
CA(#)	drywall+cable length (36" std.)	B#	battery pack	F	fuse ⁽⁵⁾	DS#	daylight sensor	C	custom
CT9(#)	TB/TG 9/16+cable length (36" std.)					OS#	occupancy sensor		
CT15(#)	TB/TG15/16+cable length (36" std.)					DOS#	daylight & occupancy sensor		
CTS(#)	screw slot+cable length (36" std.)					EN#	Enlighted integral		
SA(#)	drywall+stem length >48" (18" std.)*					ENR#	Enlighted remote ⁽⁶⁾		
+SM	seismic option					WC#	wireless control dimming		
Specify length *For stem option, please consult factory.		5' minimum fixture length. For lengths under 5' - battery pack is remote only. Not available with 347V. Please consult factory		(5) Requires 120V or 277V		(6) Please consult factory. Specify quantity. Requires 7" blank. See integrated controls guide for more details.		Please specify	

● LED SYSTEM

LED System	Cluster of 4 LED in each MikroLite cell
LED optical System	Axis patent pending mixing chamber optic for high efficacy light control with deep square in square architectural downlight trim
CRI	Minimum 80 or 90 color rendering index
CCT	Choice of 2700K, 3000K, 3500K and 4000K color temperature with a great color consistency (within 3.0-step MacAdam ellipse).
Color Tuning	Cluster of 4 LED 2 on each diagonal for pure color mixing and no color over angle effects in the space
LED life	Minimum 50,000h with 85% of lumen maintenance in 25°C ambient temperature, in compliance with IES LM-80 testing measurements.
Thermal Management	Aluminum housing acting as the heat sink to maximize life. Extruded aluminum downlight heat sink

● CONSTRUCTION

Housing	Extruded aluminum (0.080" nominal) up to
End Cap	Die cast aluminum
Interior Brackets	Die formed sheet steel (20 gauge)
MikroLite	High density composite Polycarbonate shielding and formed aluminum optical system
Mixing Lenses	Extruded acrylic
Hanger	Die cast aluminum
Suspension	Aircraft cable with fixed mounting point
Cable Grips	Quick connecting / release
MikroLite Heat Sink	Extruded aluminum

● ELECTRICAL

Lutron driver	LDE1 - EcoSystem H-Series (1%) LDE5 - EcoSystem 5-Series (5%) LTE - Hi-Lume® A-series 2Wires Forward Phase (1%)
Other drivers	DALI - Digital Addressable Lighting Interface DMX - Digital Multiplex LV - line voltage - Advance Mark 10 Xitanium SR - For wireless sensor
Emergency	remote emergency battery pack or emergency circuit optional.
Input Voltage	120V, 277V, UNV.

i Incorporating these components may have limitations or affect the length of the luminaire. Please contact factory for more details.

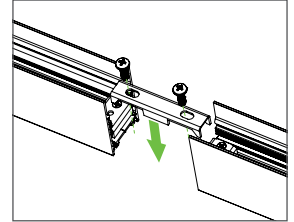
● WEIGHT

Pendant 4 ft	8 lbs / 3.6 kg
Pendant 8 ft	16 lbs / 7.3 kg
Pendant 12 ft	24 lbs / 10.9 kg


● JOINERS

In order to allow very long runs of SCULPT luminaires, Axis has developed an effective joining system. Special care has been taken to maximize the performance of the joiner for each SCULPT option.

NOTE: Mount each system segment individually. Do not assemble system prior to mounting.



● APPROVALS

Certified to UL and CSA standards 
Suitable for damp locations.
Meets CCEC requirements (Chicago plenum)

● WARRANTY

Axis lighting will warrant defective LEDs, boards, and drivers for 5 years from date of purchase. Warranty is valid if luminaire is installed and used according to specifications. If defective, Axis will send replacement boards or drivers at no cost along with detailed replacement instructions and instructions on how to return defective components to Axis.

● SYSTEM (S#)

SCULPT linear systems, with the use of a strong profile, allow for a nearly hair thin connection system of continuous runs. Runs of SCULPT that are greater than 12' in length are designated as systems (S#). This means that the run is comprised of a combination of sections to be assembled on site using our joining system. For more information on systems and joining, please refer to the Sculpt installation sheets available at: www.axislighting.com under 'Downloads' tab.

● OTHER MOUNTING OPTIONS

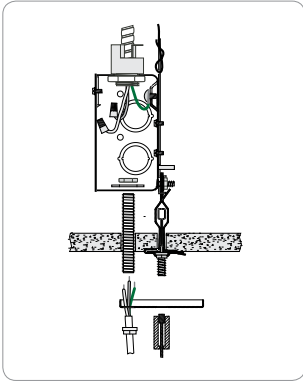
i Specification sheets and installation sheets for all mounting for SCULPT luminaires are available for download at www.axislighting.com

● ECO FRIENDLY PROGRAM

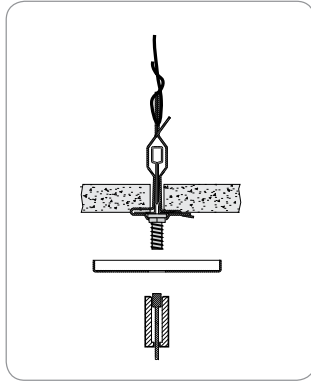
Sculpt MikroLite 1.5 meets the Living Building Challenge, is halogen free and includes PVC free wiring in compliance with requirements. Please contact Axis for supporting documentation.

● MOUNTING OPTIONS

CT TILE CEILING - ON GRID

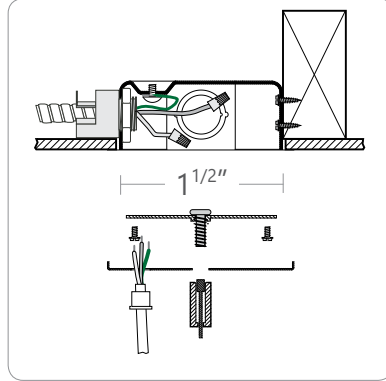


Power feed

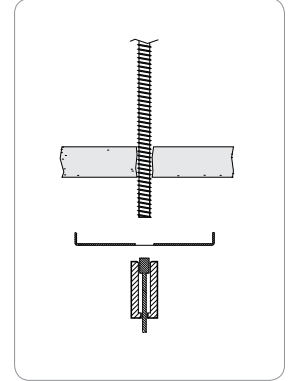


Non power feed

CA DRYWALL CEILING

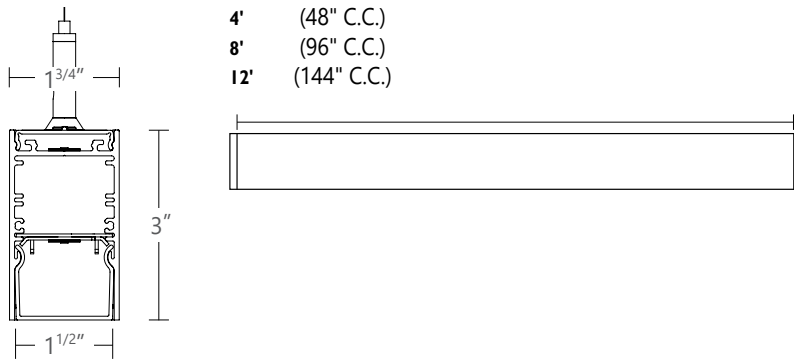


Power feed

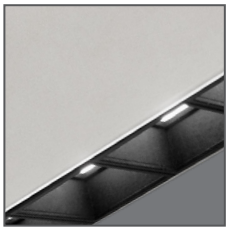


Non power feed

● MOUNTING SPACING END TO END



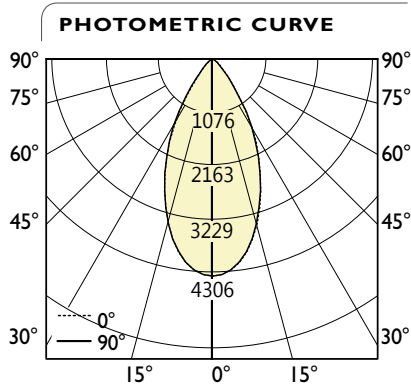
● SHIELDING - MikroLite™ 1.5



SCMLO MikroLite

● PHOTOMETRIC DATA - DIRECT

MikroLite - 3ft
1000 lm/ft



Direct Output: 1000 lm/ft
Total Lumens: 3262 lm (for 3ft)
Input Watts: 32.06 W
Efficacy: 102 lm/W

IES FILE: SCULPT-1000-90-MIKROLITE-3.IES
 TESTED ACCORDING TO IES LM-79-2008

CANDELA DISTRIBUTION

Vertical Angle	Horizontal Angles				
	0	22.5	45	67.5	90
0	4306	4306	4306	4306	4306
5	4202	4200	4199	4199	4198
15	3389	3397	3400	3391	3378
25	2162	2164	2149	2161	2151
35	896	969	1060	1016	933
45	266	276	320	285	273
55	81	83	63	84	84
65	1	3	10	3	0
75	0	0	0	0	0
85	0	0	0	0	0
90	0	1	0	0	0

ZONAL LUMENS

Zone	Lumens
0	391
0-10	940
10-20	985
20-30	985
30-40	626
40-50	238
50-60	74
60-70	9
70-80	0
80-90	0
90	0

LUMINANCE DATA (cd/m²)

Vertical Angle	Horizontal Angles		
	0	45	90
45	10571	12714	10833
55	3962	3107	4125
65	35	634	0
75	0	0	0
85	0	0	0

i All IES files are available for download at: www.axislighting.com