

● PROJECT INFORMATION

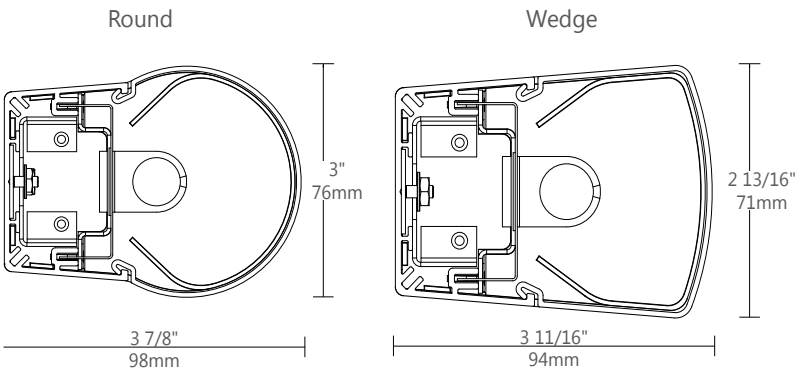
Project:

Type:

Notes:

● DIMENSIONS

END VIEW



● ORDERING CODE

1	2	3	4	5	6	7	8	9	10	11	12	13
---	---	---	---	---	---	---	---	---	----	----	----	----

● PRODUCT SPECIFICATIONS

1 PRODUCT ID	2 OPTICS	3 LENGTH/FT	4 LAMP	5 LAMP CONFIGURATION	6 FINISH
PRW round wall	S satin lens	2 2'	T5 T5	1 1 lamp	AP aluminum paint
PWW wedge wall		4 4'	T5HO T5HO		W white
		6 6'	T8 T8		BLK black
		8 8'			C custom
		12 12'			
		S# System Run			

7 VOLTAGE	8 BALLAST	9 CIRCUITS	10 BATTERY (OPTIONAL)	11 OTHER (OPTIONAL)
120 120V	D dimming	1 1 regular	B# battery pack 4' sections	F fuse
277 277V	E instant start ⁽²⁾	2A/B 2 alternating		
347 347V ⁽¹⁾	ERS program start	+E(#) emergency section ⁽³⁾		
UNV universal	BI bi-level dimming	+NL(#) night light section ⁽³⁾		
		+GTD(#) generator transfer device ⁽³⁾		

(1) Consult factory

(2) Available with T8 lamp only

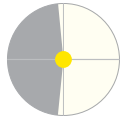
(3) Specify quantity

12 IC CONTROLS (OPTIONAL)	13 CUSTOM (OPTIONAL)
DS# daylight sensor	C custom
OS# occupancy sensor	
DS+OS# daylight+occupancy sensor	
DOS# daylight&occupancy sensor	
See integrated controls guide for further details	Please specify



WALL MOUNT

● LIGHT DISTRIBUTION

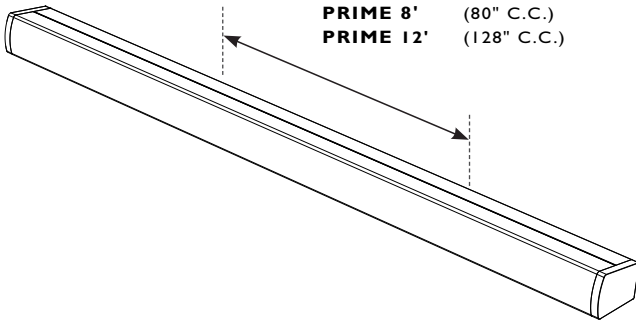


direct/indirect

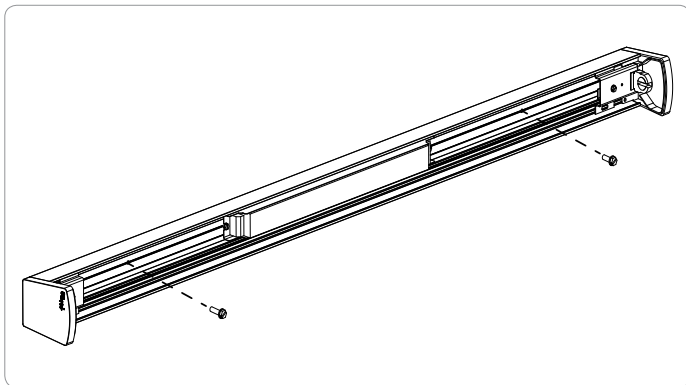
● MOUNTING SPACING

Between Mounting Points:

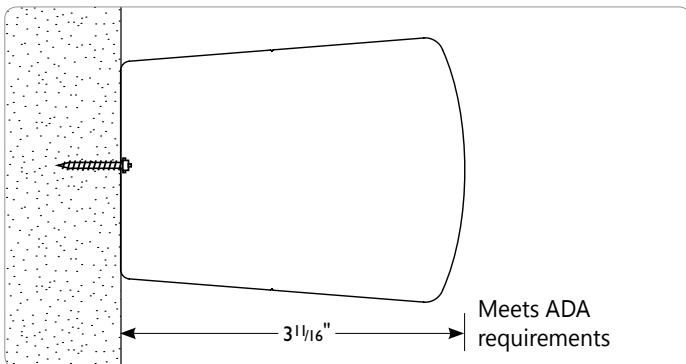
- PRIME 4'** (32" C.C.)
- PRIME 8'** (80" C.C.)
- PRIME 12'** (128" C.C.)



● MOUNTING OPTIONS



MOUNTING POINT



SIDE DETAIL

i Installation sheets for all mounting options are available at: www.axislighting.com

● SYSTEMS (S#)

Runs of PRIME that are greater than 12ft in length are designated as systems (S#). This means that the run is comprised of a combination of sections to be assembled on site using our joining system. For more information on systems and joining, please refer to the PRIME installation sheets available for download at www.axislighting.com

● OTHER MOUNTING OPTIONS

PRIME is also available in pendant and surface mounted options.

i Specification sheets for all mounting options are available for download at www.axislighting.com

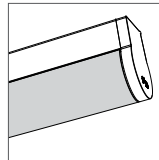
● CONSTRUCTION

- Housing** Extruded aluminium (0.070" nominal) up to 70% recycled content
- End Cap** Die cast zinc (0.080" nominal)
- Joiners** Die cast zinc (0.070" nominal)
- Interior Brackets** Die formed Sheet Steel (20 gauge)
- Reflectors** Die formed Sheet Steel (18 gauge)
- Lens joiners** Die cast zinc (0.070" nominal)
- Satin lens** PMMA satin finish (0.060" nominal) 68% trans.

● WEIGHT

- 4 ft** 8 lbs / 3.9 kg
- 8 ft** 16 lbs / 7.7 Kg
- 12 ft** 25 lbs / 11.6 Kg

● OPTICS



S satin lens


● FINISH

Aluminium paint, Powder Coated and custom finishes are also available.

● ELECTRICAL

- Ballast** Electronic IS, Electronic Rapid Start, Dimming (0-10V, Line, EcoSystem, DALI), BI-level dimming
With preinstalled ballast disconnect as per NEC & CEC
- Emergency** Emergency battery pack or emergency circuit
- Voltage** 120V, 277V, 347V, UNV

● APPROVALS

Certified to UL and CUL standards 
Meets ADA requirements.
Suitable for damp locations.



WALL MOUNT



● INTEGRATED CONTROL OPTIONS

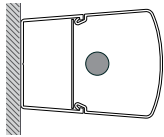
PRIME luminaires allow the use of integrated controls such as daylight sensors (DS), occupancy sensors (OS), individual daylight sensors and occupancy sensors (DS+OS), and combination daylight/occupancy sensors (DOS). These options can be seamlessly integrated into our luminaires. The control system could be used to optimize the lighting of the space by reducing energy consumption through daylight harvesting and occupancy, thereby improving the overall interior environment and allowing for LEED credits.

- Consult factory for other options.
- Refer to IC brochure for more information.

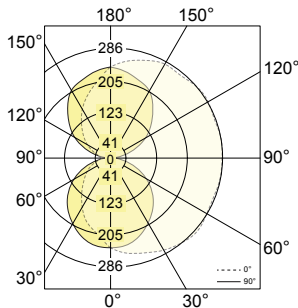
SENSORS	BRAND	Model	TYPE	CODE	COMPATIBLE DIMMING BALLAST
Daylight Sensor (DS)	Lutron	EC-DIR-WH	Daylight	LD	EcoSystem
	Wattstopper	FD-301	Daylight	WD	0-10V
	Philips	Luxsense	Daylight	PL	0-10V
Occupancy Sensor (OS)	Wattstopper	FS-205	PIR Occupancy	WP1	Programmed Rapid Start
		FS-355	PIR Occupancy	WP2	Programmed Rapid Start
		FM-105	High Frequency Occupancy	WH	Programmed Rapid Start
Daylight & Occupancy Sensors (DOS)	Philips	Actilume	Daylight & PIR Occupancy	PA	DALI or 0-10V

● PHOTOMETRIC DATA

PRW | T5



PHOTOMETRIC CURVE



Test Lamp: 1xF28T5

IES FILE: PRW-S-4-T5-1

Efficiency: 81.2%

CANDELA DISTRIBUTION

Vertical Angle	Horizontal Angles				Zonal Lumens
	0	23	68	90	
0	300	300	300	300	
5	283	311	306	281	15
15	318	319	295	281	67
25	333	336	286	261	113
35	353	334	270	230	146
45	351	347	248	197	168
55	367	341	219	155	176
65	361	335	183	111	170
75	364	329	148	64	154
85	364	327	122	26	137
95	355	328	122	26	133
105	357	327	149	63	145
115	364	340	179	110	162
125	357	340	214	153	173
135	359	346	245	195	173
145	348	338	265	231	159
155	337	333	284	258	131
165	321	320	293	275	91
175	319	296	297	302	41
180	288	288	288	288	

COEFFICIENTS OF UTILIZATION (%)

Ceiling	80				70				50			
	70	50	30	10	70	50	30	10	50	30	10	
Wall	70	50	30	10	70	50	30	10	50	30	10	
0	87	87	87	87	80	80	80	80	68	68	68	
1	77	73	69	64	71	67	64	59	56	54	50	
2	70	63	57	50	64	58	52	46	48	44	39	
3	63	54	48	40	58	50	44	37	42	37	32	
4	57	48	41	33	52	44	38	31	37	32	26	
5	52	42	35	28	48	39	33	26	33	28	22	
6	48	38	31	24	44	35	28	22	29	24	19	
7	44	34	27	20	41	31	25	19	26	21	16	
8	41	31	24	18	38	28	22	17	24	19	14	
9	38	28	22	16	35	26	20	15	22	17	13	
10	36	26	19	14	33	24	18	13	20	16	11	

Based on floor reflectance of 20

LUMINANCE DATA (CD/M²)

Vertical Angle	Horizontal Angles			
	0	23	68	90
45	2278	2292	2074	2068
55	2486	2363	2038	1959
65	2644	2524	1992	1829
75	3006	2802	2009	1580
85	3558	3329	2285	1395

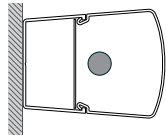
i All IES files are available for download at: www.axislighting.com



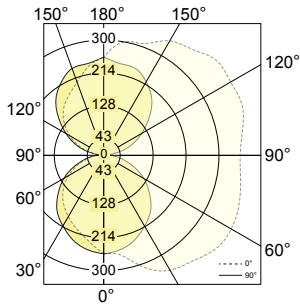
WALL MOUNT

PHOTOMETRIC DATA

PWW I T5



PHOTOMETRIC CURVE



Test Lamp: 1xF28T5

IES FILE: PWW-S-4-T5-1

Efficiency: 81.2%

CANDELA DISTRIBUTION

Vertical Angle	Horizontal Angles				Zonal Lumens
	0	23	68	90	
0	263	263	263	263	
5	283	261	248	262	14
15	284	299	268	244	60
25	330	319	260	231	104
35	354	335	251	205	141
45	375	360	232	175	167
55	380	363	213	143	180
65	383	359	184	104	179
75	368	344	152	62	163
85	349	329	128	27	139
95	353	321	128	27	127
105	365	340	152	61	151
115	381	354	184	103	172
125	381	360	213	141	182
135	370	353	230	175	175
145	354	342	252	206	156
155	318	326	259	233	124
165	306	291	258	245	82
175	274	274	266	252	36
180	251	251	251	251	

COEFFICIENTS OF UTILIZATION (%)

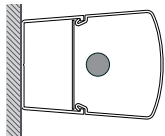
Ceiling	80				70				50			
	70	50	30	10	70	50	30	10	50	30	10	
Wall	70	50	30	10	70	50	30	10	50	30	10	
0	87	87	87	87	80	80	80	80	68	68	68	
1	77	73	69	64	71	67	63	59	56	53	50	
2	69	62	56	49	63	57	52	46	48	44	39	
3	63	54	47	40	57	50	44	37	42	37	31	
4	57	47	40	32	52	44	37	30	36	31	26	
5	52	42	35	27	48	39	32	25	32	27	22	
6	48	37	30	23	44	34	28	22	29	24	19	
7	44	33	27	20	40	31	25	19	26	21	16	
8	41	30	24	17	37	28	22	16	24	19	14	
9	38	28	21	15	35	25	20	14	22	17	12	
10	35	25	19	13	32	23	18	12	20	15	11	

Based on floor reflectance of 20

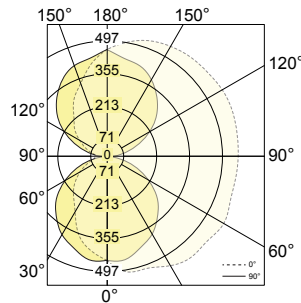
LUMINANCE DATA (CD/M²)

Vertical Angle	Horizontal Angles		
	0	30	60
45	2522	2467	2000
55	2675	2618	2052
65	2931	2816	2080
75	3184	3069	2157
85	3596	3526	2528

PRW I T5HO



PHOTOMETRIC CURVE



Test Lamp: 1xF54T5HO

IES FILE: PRW-S-4-T5HO-1

Efficiency: 81.2%

CANDELA DISTRIBUTION

Vertical Angle	Horizontal Angles				Zonal Lumens
	0	23	68	90	
0	485	485	485	485	
5	537	500	521	489	15
15	561	542	506	475	67
25	603	571	497	456	113
35	602	586	470	403	146
45	618	594	426	345	168
55	630	587	363	273	176
65	628	577	314	189	170
75	609	569	250	110	154
85	619	566	213	45	137
95	619	566	212	44	133
105	626	570	252	111	145
115	633	587	307	189	162
125	619	587	369	269	173
135	619	601	423	339	173
145	604	586	464	392	159
155	605	575	492	441	131
165	558	559	516	485	91
175	525	530	483	499	41
180	503	503	503	503	

COEFFICIENTS OF UTILIZATION (%)

Ceiling	80				70				50			
	70	50	30	10	70	50	30	10	50	30	10	
Wall	70	50	30	10	70	50	30	10	50	30	10	
0	87	87	87	87	80	80	80	80	68	68	68	
1	77	73	69	64	71	67	64	59	56	54	50	
2	70	63	57	50	64	58	52	46	48	44	39	
3	63	54	48	40	58	50	44	37	42	37	32	
4	57	48	41	33	52	44	38	31	37	32	26	
5	52	42	35	28	48	39	33	26	33	28	22	
6	48	38	31	24	44	35	28	22	29	24	19	
7	44	34	27	20	41	31	25	19	26	21	16	
8	41	31	24	18	38	28	22	17	24	19	14	
9	38	28	22	16	35	26	20	15	22	17	13	
10	36	26	19	14	33	24	18	13	20	16	11	

Based on floor reflectance of 20

LUMINANCE DATA (CD/M²)

Vertical Angle	Horizontal Angles		
	0	23	68
45	2278	2292	2074
55	2486	2363	2038
65	2644	2524	1992
75	3006	2802	2009
85	3558	3329	2285

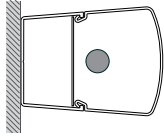
i All IES files are available for download at: www.axislighting.com



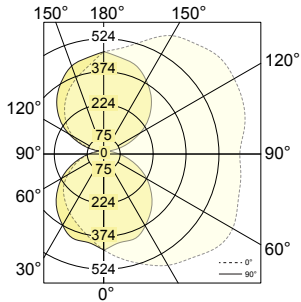
WALL MOUNT

PHOTOMETRIC DATA

PWW I T5HO



PHOTOMETRIC CURVE



Test Lamp: 1x F54T5HO
 IES FILE: PWW-S-4-T5HO-1

Efficiency: 81.2%

CANDELA DISTRIBUTION

Vertical Angle	Horizontal Angles				Zonal Lumens
	0	30	60	90	
0	443	443	443	443	
5	465	463	449	451	24
15	503	499	451	432	103
25	571	557	443	399	179
35	597	592	433	354	243
45	656	613	400	306	289
55	677	629	371	245	314
65	651	614	315	181	309
75	631	590	266	107	281
85	614	556	219	46	238
95	608	557	213	47	220
105	647	590	264	106	261
115	656	613	315	174	297
125	673	612	370	240	314
135	641	609	405	298	303
145	607	585	433	353	267
155	569	559	453	400	213
165	510	519	454	427	142
175	491	481	463	443	63
180	449	449	449	449	

COEFFICIENTS OF UTILIZATION (%)

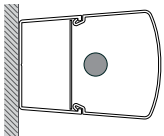
Ceiling	80				70				50			
	70	50	30	10	70	50	30	10	50	30	10	
Wall	70	50	30	10	70	50	30	10	50	30	10	
0	87	87	87	87	80	80	80	80	68	68	68	
1	77	73	69	64	71	67	64	59	56	54	50	
2	70	62	57	49	64	57	52	46	48	44	39	
3	63	54	47	40	57	50	44	37	42	37	31	
4	57	47	40	33	52	44	37	30	36	32	26	
5	52	42	35	27	48	39	32	25	32	27	22	
6	48	37	30	23	44	34	28	22	29	24	19	
7	44	34	27	20	40	31	25	19	26	21	16	
8	41	30	24	17	37	28	22	16	24	19	14	
9	38	28	21	15	35	25	20	14	22	17	12	
10	35	25	19	13	33	23	18	12	20	15	11	

Based on floor reflectance of 20

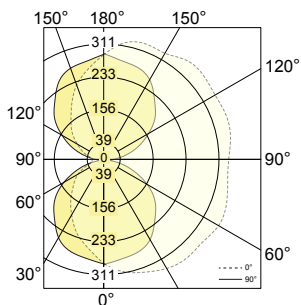
LUMINANCE DATA (CD/M²)

Vertical Angle	Horizontal Angles			
	0	23	68	90
45	4409	4198	3453	3291
55	4768	4531	3576	3181
65	4976	4825	3560	3061
75	5460	5273	3772	2717
85	6329	5962	4327	2539

PRW I T8



PHOTOMETRIC CURVE



Test Lamp: 1x F03231
 IES FILE: PRW-S-4-T8-1

Efficiency: 78.3%

CANDELA DISTRIBUTION

Vertical Angle	Horizontal Angles				Zonal Lumens
	0	23	68	90	
0	287	287	287	287	
5	289	283	283	275	15
15	312	313	290	265	65
25	314	320	281	254	110
35	344	328	260	225	142
45	346	331	236	193	163
55	341	327	206	154	169
65	350	317	174	108	163
75	342	311	138	63	147
85	337	308	115	26	130
95	330	305	116	24	126
105	344	310	139	63	138
115	344	318	174	111	156
125	343	327	208	152	168
135	339	325	236	193	167
145	336	326	262	225	154
155	328	318	279	256	128
165	319	305	288	265	88
175	305	279	298	282	40
180	290	290	290	290	

COEFFICIENTS OF UTILIZATION (%)

Ceiling	80				70				50			
	70	50	30	10	70	50	30	10	50	30	10	
Wall	70	50	30	10	70	50	30	10	50	30	10	
0	84	84	84	84	77	77	77	77	65	65	65	
1	75	70	67	62	68	65	61	57	54	52	48	
2	67	60	55	48	61	56	51	45	47	43	38	
3	61	53	46	39	56	48	43	36	40	36	31	
4	55	46	39	32	51	42	36	30	36	31	26	
5	51	41	34	27	46	38	32	25	32	27	22	
6	47	36	30	23	43	34	28	21	28	24	18	
7	43	33	26	20	39	30	24	18	26	21	16	
8	40	30	23	17	36	27	22	16	23	19	14	
9	37	27	21	15	34	25	19	14	21	17	12	
10	35	25	19	13	32	23	18	13	20	15	11	

Based on floor reflectance of 20

LUMINANCE DATA (CD/M²)

Vertical Angle	Horizontal Angles			
	0	23	68	90
45	2170	2110	1912	1963
55	2234	2186	1859	1891
65	2474	2303	1836	1723
75	2726	2559	1819	1525
85	3184	3023	2101	1316

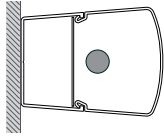
i All IES files are available for download at: www.axislighting.com



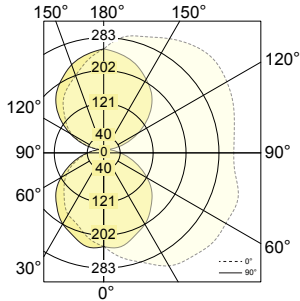
WALL MOUNT

PHOTOMETRIC DATA

PWW I T8



PHOTOMETRIC CURVE



Test Lamp: 1xF03231
 IES FILE: PWW-S-4-T8-1

Efficiency: 78.2%

CANDELA DISTRIBUTION

Vertical Angle	Horizontal Angles				Zonal Lumens
	0	30	60	90	
0	245	245	245	245	
5	251	262	253	259	13
15	294	295	258	238	59
25	320	313	253	227	102
35	338	332	245	202	138
45	362	337	223	172	162
55	366	337	201	139	175
65	355	335	178	99	172
75	342	321	147	60	155
85	328	304	120	27	130
95	330	302	119	26	119
105	347	320	145	60	142
115	358	336	177	101	165
125	360	346	204	137	175
135	359	335	223	172	170
145	333	334	245	202	152
155	322	310	254	229	121
165	292	295	256	246	81
175	252	263	260	248	36
180	263	263	263	263	

COEFFICIENTS OF UTILIZATION (%)

Ceiling	80				70				50			
	70	50	30	10	70	50	30	10	50	30	10	
Wall	70	50	30	10	70	50	30	10	50	30	10	
0	84	84	84	84	77	77	77	77	65	65	65	
1	75	70	66	61	68	65	61	57	54	52	48	
2	67	60	55	48	61	55	50	44	46	43	38	
3	61	52	46	38	55	48	42	36	40	36	31	
4	55	46	39	32	50	42	36	29	35	31	25	
5	50	41	34	26	46	37	31	25	31	26	21	
6	46	36	29	22	42	33	27	21	28	23	18	
7	43	32	26	19	39	30	24	18	25	20	16	
8	40	29	23	17	36	27	21	16	23	18	14	
9	37	27	20	15	34	25	19	14	21	16	12	
10	34	24	18	13	31	23	17	12	19	15	11	

Based on floor reflectance of 20

LUMINANCE DATA (CD/M²)

Vertical Angle	Horizontal Angles			
	0	30	60	90
45	2349	2227	1863	1794
55	2493	2344	1871	1749
65	2618	2545	1947	1629
75	2856	2767	2021	1482
85	3267	3147	2292	1428

i All IES files are available for download at: www.axislighting.com