



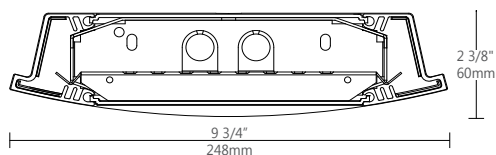
SURFACE MOUNT



Project _____

Type _____

Notes _____



CONTROL
SENSORS

Ordering Guide

L2S		OPTICS		LENGTH/FT		LAMP		LAMP CONFIGURATION		FINISH	
L2S	surface	PL	semi spec. para. louvers	4	4'	T5	T5	2	2 lamps	AP	aluminum paint
		SB	white solid baffles	8	8'	T5HO	T5HO			W	white
				12	12'					BLK	black
				S#	system run					C	custom

UP LIGHT REFLECTOR		DOWN LIGHT REFLECTOR		VOLTAGE		BALLAST		CIRCUITS		MOUNTING/SUSPENSION	
BK	blank ⁽¹⁾	0	no reflector	120	120V	D	dimming	1	1 regular	S	surface drywall ceiling
				277	277V	E	instant start ⁽³⁾	2	2 regular	SB	surface t-bar ceiling
				347	347V ⁽²⁾	ERS	program start	+E(#)	emergency section ⁽⁴⁾	SC	surface solid ceiling
				UNV	universal	BI	bi-level dimming	+NL(#)	night light section ⁽⁴⁾		
								+GTD(#)	generator transfer device ⁽⁴⁾		

(1) Available for all optics

(2) Consult factory

(3) Available with T8 lamp only

See spec sheet for further details

BATTERY (OPTIONAL)		OTHER (OPTIONAL)		IC CONTROLS (OPTIONAL)		CUSTOM (OPTIONAL)	
B#	battery pack 4' sections	F	fuse ⁽⁵⁾	DS#	daylight sensor	C	custom
		FW(#)	flex whip (6' std) ⁽⁶⁾	OS#	occupancy sensor		
				DOS#	daylight & occupancy sensor		

Requires 120V or 277V
Please consult factory

(5) Requires 120V or 277V
(6) Specify quantity
Please consult factory

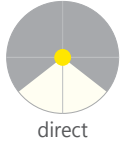
Requires 8" blank. Specify quantity
See integrated controls guide for further details

Please specify



SURFACE MOUNT

● LIGHT DISTRIBUTION

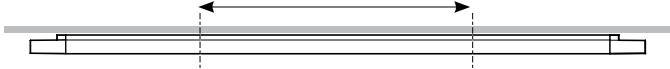


direct

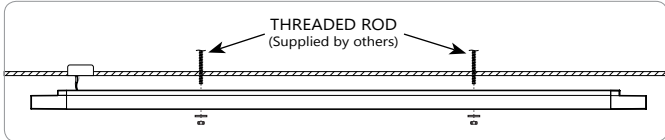
● MOUNTING SPACING

Between Mounting Points:

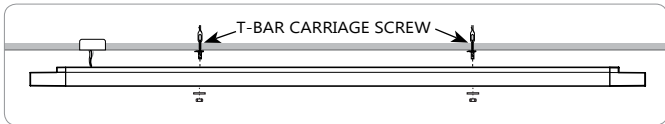
- L2 4' (24" C.C.)
- L2 8' (72" C.C.)
- L2 12' (120" C.C.)



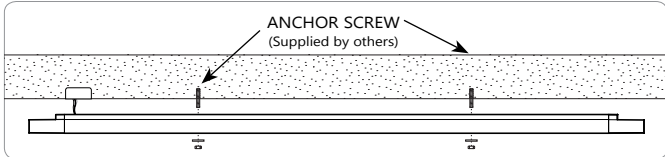
● MOUNTING DETAILS



S SURFACE MOUNT DRYWALL CEILING



SB SURFACE MOUNT T-BAR CEILING

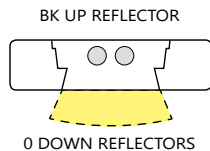


SC SURFACE MOUNT SOLID CEILING

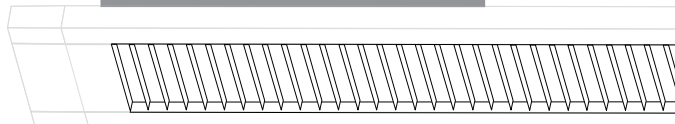
i Installation sheets for all mounting options are available at: www.axislighting.com

● OPTICAL OPTIONS

A blank up reflector is used to give a 100% downlight distribution for surface mount options.



(PL) LOUVERS, (SB) BAFFLES



● CONSTRUCTION

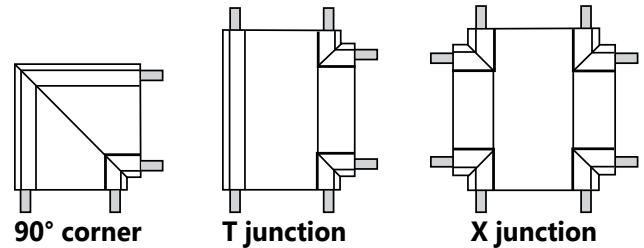
- End Cap** Die cast zinc (0.100" nominal)
- Side Profile** Extruded aluminum (0.060" nominal)
- Louvers** Die formed semi-specular aluminum (22 gauge)
- Baffles** Die formed aluminum (22 gauge) powder painted white
- Interior Brackets** Die formed sheet steel (12 gauge)

● WEIGHT

- L2 4 ft 12 lbs / 5.6 kg
- L2 8 ft 21 lbs / 9.6 kg
- L2 12 ft 34 lbs / 15.2 kg

● CORNER SPECIFICATION

In addition to individual pendants and linear runs, the L2 luminaire can be specified with 90 degree corner, T or X junctions.



All systems requiring corner units must be specified as such at the time of order. Existing linear systems or luminaires cannot have corners added at a later date.

i Specifications sheets for all corner specification are available at: www.axislighting.com


● FINISH

Powder Coated and custom finishes are also available.

● ELECTRICAL

- Ballast** Electronic IS, Electronic Rapid Start, Dimming (0-10V, Line, EcoSystem, DALI), BI-level dimming With preinstalled ballast disconnect as per NEC & CEC
- Emergency** Emergency battery pack or emergency circuit
- Voltage** 120V, 277V, 347V, UNV

● APPROVALS

Certified to UL and CUL standards Suitable for damp locations. 

● OTHER MOUNTING OPTIONS

L2 is also available with wall and pendant options.

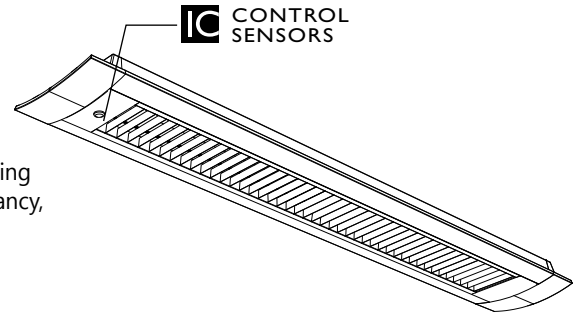
i Specification sheets for wall and pendant L2 luminaires are available for download at www.axislighting.com



SURFACE MOUNT

● INTEGRATED CONTROL OPTIONS

L2 luminaires allow the use of integrated controls such as daylight sensors (DS), occupancy sensors (OS), individual daylight sensors and occupancy sensors (DS+OS), and combination daylight/occupancy sensors (DOS). These options can be seamlessly integrated into our luminaires. The control system could be used to optimize the lighting of the space by reducing energy consumption through daylight harvesting and occupancy, thereby improving the overall interior environment and allowing for LEED credits.



- Consult factory for other options.
- Refer to IC brochure for more information.

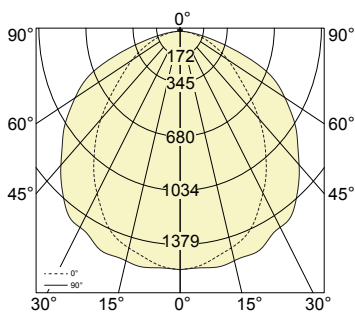
SENSORS	BRAND	Model	TYPE	CODE	COMPATIBLE DIMMING BALLAST
Daylight Sensor (DS)	Lutron	EC-DIR-WH	Daylight	LD	EcoSystem
	Wattstopper	FD-301	Daylight	WD	0-10V
	Philips	Luxsense	Daylight	PL	0-10V
Occupancy Sensor (OS)	Wattstopper	FS-205	PIR Occupancy	WP1	Programmed Rapid Start
		FS-355	PIR Occupancy	WP2	Programmed Rapid Start
		FS-155	PIR Occupancy	WP3	Programmed Rapid Start
		FS-505	Ultrasonic Occupancy	WU1	Programmed Rapid Start
		FS-505C	Ultrasonic Occupancy	WU2	Programmed Rapid Start
		FM-105	High Frequency Occupancy	WH	Programmed Rapid Start
Daylight & Occupancy Sensors (DOS)	Philips	Actilume	Daylight & PIR Occupancy	PA	DALI or 0-10V

● PHOTOMETRIC DATA

2 T5



PHOTOMETRIC CURVE



Test Lamp: 2xF28T5

IES FILE: L2-SB-4-T5-2-0-BK-0-100

Efficiency: 73.1%

CANDELA DISTRIBUTION

Vertical Angle	Horizontal Angles					Zonal Lumens
	0	22.5	45	67.5	90	
0	1550	1550	1550	1550	1550	
5	1528	1542	1526	1512	1544	73
15	1431	1431	1470	1496	1525	208
25	1234	1257	1340	1430	1443	311
35	972	1029	1130	1251	1321	358
45	677	727	851	1000	1085	335
55	432	451	555	756	867	271
65	269	278	320	483	625	190
75	141	146	162	206	244	94
85	42	43	45	47	49	25
90	7	8	6	6	5	

LUMINANCE DATA (CD/M²)

Vertical Angle	Horizontal Angles		
	0	45	90
45	7104	8926	11382
55	5581	7181	11214
65	4729	5623	10966
75	4045	4635	6986
85	3559	3793	4189

COEFFICIENTS OF UTILIZATION (%)

Ceiling	80			70			50				
	70	50	30	10	70	50	30	10	50	30	10
Wall	70	50	30	10	70	50	30	10	50	30	10
0	87	87	87	87	85	85	85	85	80	80	80
1	80	77	74	70	78	75	72	69	71	69	66
2	73	67	63	57	71	66	62	56	63	60	55
3	67	60	54	48	65	59	53	47	56	52	46
4	62	53	47	41	60	52	47	40	50	45	40
5	57	48	42	35	55	47	41	35	45	40	35
6	53	43	37	31	51	43	37	31	41	36	30
7	49	39	33	27	48	39	33	27	38	32	27
8	46	36	30	24	44	36	30	24	34	29	24
9	43	33	27	22	42	33	27	22	32	27	22
10	40	31	25	20	39	30	25	20	29	25	20

Based on floor reflectance of 20

i All IES files for other lamping are available for download at: www.axislighting.com