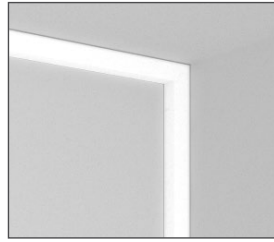


Direct

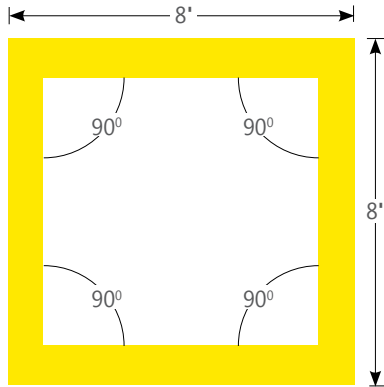


Indirect

Project \_\_\_\_\_

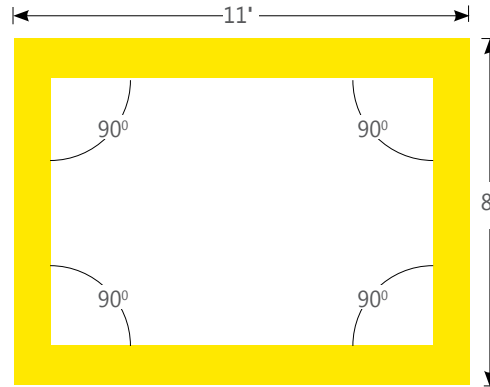
Type \_\_\_\_\_

Notes \_\_\_\_\_



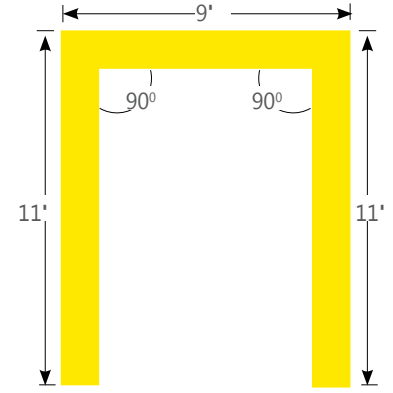
ED2WDPAT	SQ	90+90+90+90	32'
PRODUCT ID	PATTERNS	CORNER DEGREES	LENGTH/FT

TOP VIEW - Square Corner Pattern



ED2WDPAT	REC	90+90+90+90	38'
PRODUCT ID	PATTERNS	CORNER DEGREES	LENGTH/FT

TOP VIEW - Rectangle Corner Pattern



ED2WDPAT	OPR	90+90	31'
PRODUCT ID	PATTERNS	CORNER DEGREES	LENGTH/FT

TOP VIEW - Open Shape Corner Pattern

**IMPORTANT – all corner patterns must be submitted with drawings indicating dimensions and angles degree.**

### Ordering Guide

PRODUCT ID	PATTERNS	CORNER DEGREES	LUMENS/FT DIRECT	CRI	COLOUR TEMP.	SHIELDING
<b>ED2WDPAT</b> Edge 2 Wall Direct LED	<b>SQ</b> square regular lit corners	<b>90</b> 90 degrees	<b>250</b> 250 lm/ft	<b>80</b> 80 CRI	<b>27</b> 2700 K	<b>UB</b> Ultra Blend Lens
<b>ED2WIPAT</b> Edge 2 Wall Indirect LED	<b>REC</b> rectangle regular lit corners		<b>500</b> 500 lm/ft	<b>90</b> 90 CRI	<b>35</b> 3500 K	
	<b>OPRI</b> open shape regular interior lit corners		<b>850</b> 850 lm/ft		<b>30</b> 3000 K	
			<b>1000</b> 1000 lm/ft		<b>40</b> 4000 K	
			Outputs between listed min and max are available. Consult factory for outputs outside of the listed range.			

LENGTH/FT	SPECIFY LENGTH	FINISH	GROOVE FINISH	VOLTAGE	DRIVER	CIRCUITS
# total pattern length	<b>NL</b> nominal <b>EX</b> exact	<b>AP</b> aluminum paint <b>W</b> white <b>BLK</b> black <b>C</b> custom	<b>AP</b> aluminum paint <b>W</b> white <b>BLK</b> black <b>C</b> custom	<b>120</b> 120V <b>277</b> 277V <b>347</b> 347V <b>UNV</b> universal	<b>MD</b> Mini driver - integral* <b>DP</b> dimming (0-10V) 1% - remote** <b>LT</b> Lutron-remote <sup>(1)</sup> - remote** <b>BI</b> bi-level dimming - remote** <b>O</b> other <sup>(2)</sup> - remote**	<b>1</b> 1 circuit <b>2</b> 2 circuits <b>+E(#)</b> emergency circuit <sup>(3)</sup>
					*Integral driver ** Remote driver (1) Specify system. Remote only. (2) Please consult factory; see page 2	(3) Specify quantity

END CAP	BATTERY - REMOTE (OPTIONAL)	OTHER	IC CONTROLS (OPT.)	CUSTOM (OPT.)
<b>FL</b> flat standard	<b>B#</b> remote battery pack	<b>F</b> fuse <sup>(4)</sup>	<b>DS#</b> daylight sensor <b>OS#</b> occupancy sensor <b>DOS#</b> daylight & occupancy sensor <b>EN#</b> Enlighted integral <sup>(5)</sup> <b>ENR#</b> Enlighted remote <sup>(5)</sup> <b>WC#</b> wireless control dimming	<b>C</b> custom
For close end cap only	Remote only	(4) Requires 120V or 277V	(5) Please consult factory See integrated controls guide for more details.	Please specify

### ● LIT CORNER FEATURES

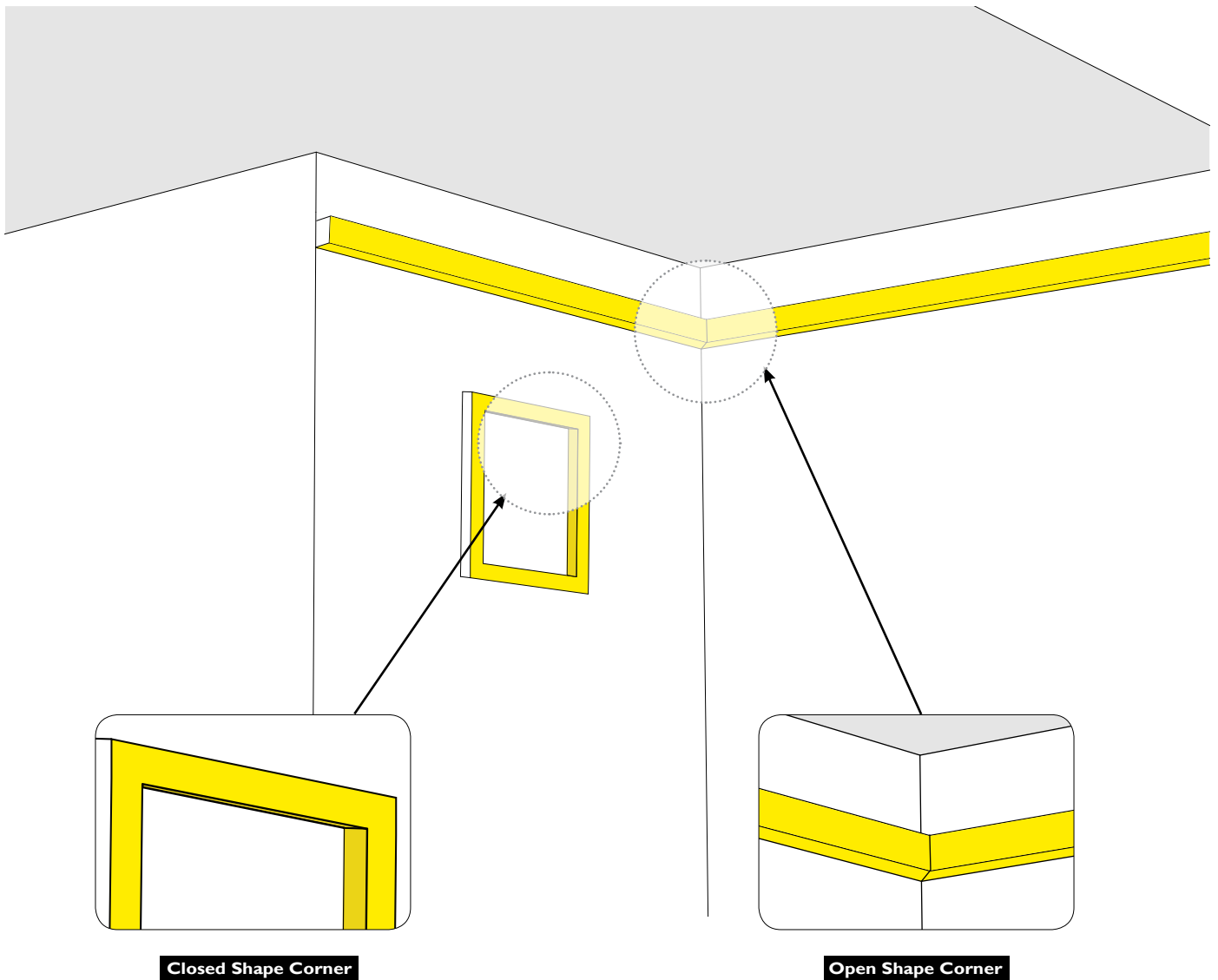
The Lit Corner system allows continuous illumination all the way through the corner section

To optimize corner illumination, lit corners are created as integral components of the linear sections. Linear sections have mitered ends that connect to corresponding mitered ends of neighboring linear sections.

Illuminated Corners are more complex. Because the corner is fully illuminated, the corner is not independent of the straight sections, but integrated into the straight segment's housing. The corner is mitered, allowing a seamless line of light.

**Regular Illuminated Corner** - A fully illuminated corner that lies on the same plane, for example, the ceiling. There are two corner options available for Regular Lit Corners: **Open Shape Corner** and **Closed Shape Corner**

**TIP:** Provide sketches illustrating corner types and locations required.



**IMPORTANT – all corner patterns must be submitted with drawings indicating dimensions and angles degree.**

