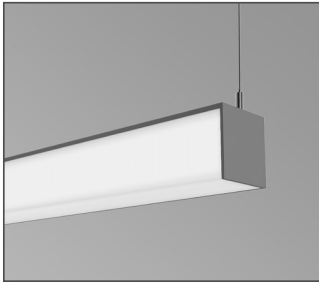


EDGE 2

PENDANT MOUNT - DIRECT



90 Deg

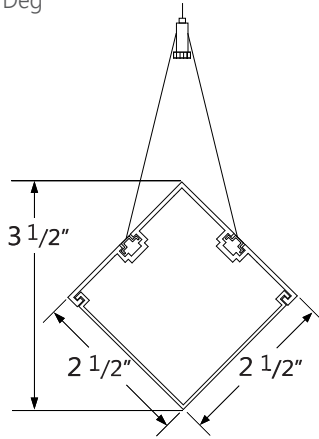
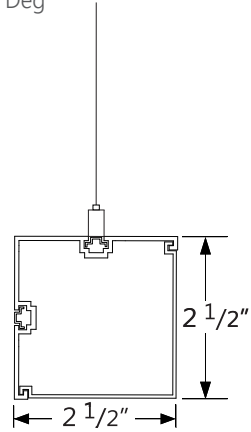


45 Deg

Project _____

Type _____

Notes _____



Ordering Guide

ED2						
PRODUCT ID	NOM. LUMENS/FT	CRI	COLOR TEMP.	SHIELDING	LENGTH	FINISH
ED2 Edge 2 Pendant Direct LED	250 250 lm/ft	80 80 CRI	27 2700 K	UB Ultra Blend Lens	4 4'	AP aluminum paint W white BLK black C custom
	500 500 lm/ft	90 90 CRI	30 3000 K		8 8'	
	850 850 lm/ft		35 3500 K		12 12'	
	1000 1000 lm/ft		40 4000 K		S# system run	
Outputs between listed min and max are available. Consult factory for outputs outside of the listed range.				Can also come in inch increments, for remote drivers. Please note that in this case lumen output may vary. For all other lengths and related outputs, please consult factory.		

GROOVE FINISH	VOLTAGE	DRIVER	CIRCUITS	MOUNTING POSITION
AP aluminum paint	120 120 V	MD Mini driver - integral*	1 1 circuit	90D 90 deg
W white	277 277 V	DP dimming (0-10V) 1% - remote**	2 2 circuits	45D 45 deg
BLK black	347 347 V	LT Lutron-remote ⁽¹⁾ - remote**	+E(#) emergency circuit ⁽³⁾	
C custom	UNV universal	BI bi-level dimming - remote** O other ⁽²⁾ - remote**		
See page 2 for more details		*integral driver, available in 1ft increments only. ** Remote driver (1) Specify system. Remote only. (2) Please consult factory; see page 2	(3) Specify quantity	

MOUNTING/SUSPENSION	END CAP	BATTERY - REMOTE (OPTIONAL)	OTHER (OPTIONAL)	IC CONTROLS (OPTIONAL)	CUSTOM (OPTIONAL)
CA(#) drywall+cable length (36" std.) CT9(#) TB/TG 9/16+cable length (36" std.) CT15(#) TB/TG15/16+cable length (36" std.) SA(#) drywall+stem length >48" (18" std.)	FL flat standard	B# remote battery pack	F fuse	DS# daylight sensor OS# occupancy sensor DOS# daylight & occupancy sensor ENR# Enlighted remote ⁽⁴⁾ WC# wireless control dimming	C custom
White canopy standard		Remote only	Requires 120V or 277V	(4) Please consult factory Specify quantity. Requires 8" blank See pages 5-6 for more details	Please specify

● SPECIFICATIONS

CONSTRUCTION

Housing	Extruded aluminum (0.075" nominal) Up to 70% recycled content
End Cap	Cast aluminum
Interior Brackets	Die formed sheet steel (20 gauge)
Reflectors	White powder coated sheet steel (22 gauge)
Lenses	Extruded acrylic (0.070" nominal)

● ELECTRICAL

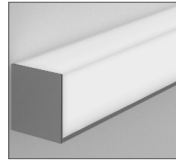
Mini driver	EDGE 2 features integral mini driver technology. 0-10V dimming standard.
Emergency	Remote emergency battery pack or emergency circuit optional.
Input Voltage	120V, 277V, 347V, UNV.

i Incorporating these components may have limitations or effect the length of the luminaire, please contact factory for more details.

● LED SYSTEM

CRI	Minimum 80 or 90 color rendering index.
CCT	Choice of 2700K, 3000K, 3500K and 4000K color temperature with a great color consistency (within 3-step MacAdam ellipse). Both within fixture and fixture to fixture.
LED life	Minimum 50,000h with 85% of lumen maintenance in 25°C ambient temperature, in compliance with IES LM-80 testing measurements.
Thermal Management	Aluminum housing acting as the heat sink to maximize life.
Environment	Dry and damp rated in operating ambient temperatures of 0-40°C (32-104F).

● OPTICS



UB Ultra Blend Lens

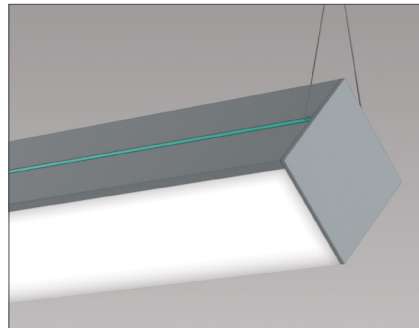
● SYSTEM (S#)

EDGE 2 linear systems, with the use of a strong profile, allow for a nearly hair thin connection system of continuous runs. Lengths of 4', 8', 12' as well as custom lengths are available. Runs of EDGE 2 that are greater than 12' in length are designated as systems (S#). This means that the run is comprised of a combination of 4', 8' and/or 12' sections to be assembled on site using our joining system. For more information on systems and joining, please refer to the EDGE 2 installation sheets available for download at www.axislighting.com.

● WARRANTY

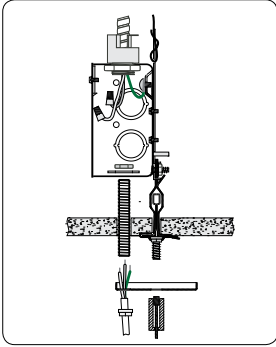
Axis Lighting will warrant defective LEDs, boards, and drivers for 5 years from date of purchase. Warranty is valid if luminaire is installed and used according to specifications. If defective, Axis will send replacement boards or drivers at no cost along with detailed replacement instructions and instructions on how to return defective components to Axis.

● GROOVE FINISH

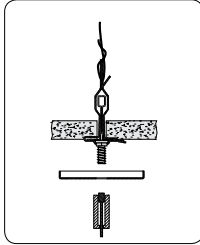


● MOUNTING OPTIONS

CT TILE CEILING - ON GRID

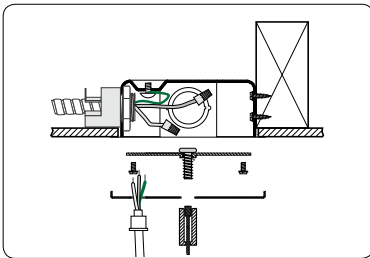


Power feed

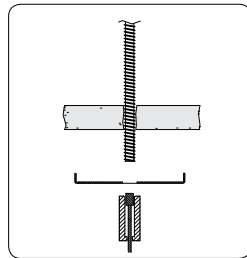


Non power feed

CA DRYWALL CEILING

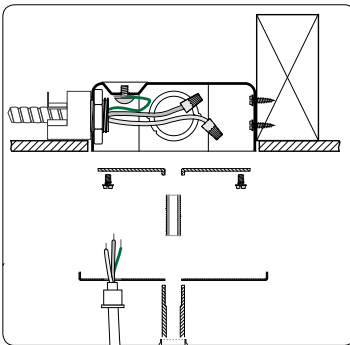


Power feed

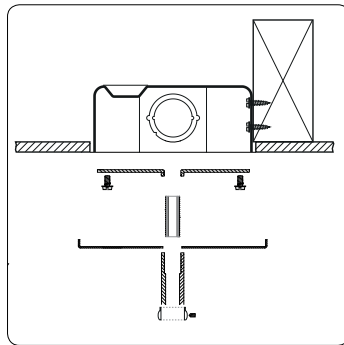


Non power feed

SA STEM MOUNT IN DRYWALL CEILING



Power feed



Non power feed

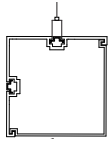
● OTHER MOUNTING OPTIONS

EDGE 2 is also available as Surface or Wall Mount.

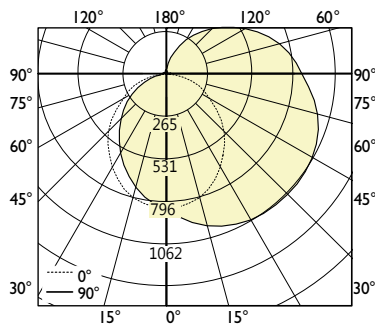
- i** Specification sheets and installation sheets for all mountings for EDGE 2 luminaires are available for download at www.axislighting.com.

PHOTOMETRIC DATA

90 Degrees - 1000 lm/ft



PHOTOMETRIC CURVE



Lumen/ft: 1000 lm/ft
Total Lumens: 4212 lm (for 4ft)
Input Watts: 32.7 W
Efficacy: 131 lm/W
 IES FILE: ED2-1000-80-35-UB-4-90D.IES

TESTED ACCORDING TO IES LM-79-2008
 80 CRI shown. To calculate watts and efficacy at 90 CRI, apply a multiplier of 0.8.

CANDELA DISTRIBUTION

Vertical Angle	Horizontal Angles				
	0	22.5	45	67.5	90
0	843	843	843	843	843
5	830	849	868	882	889
15	795	852	911	953	975
25	718	813	919	998	1029
35	614	749	900	1011	1056
45	510	660	855	1004	1062
55	380	566	789	979	1056
65	266	457	718	935	1029
75	164	353	626	869	975
85	55	269	542	780	889
90	2	242	510	741	843
95	18	221	483	709	813
105	29	195	440	642	730
115	17	174	382	554	624
125	14	149	318	453	510
135	18	112	254	356	399
145	7	82	187	263	297
155	13	59	118	168	196
165	20	36	66	91	105
175	28	30	32	34	36
180	32	32	32	32	32

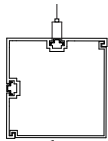
ZONAL LUMENS

Zone	Lumens
0	
0-10	80
10-20	232
20-30	359
30-40	444
40-50	487
50-60	486
60-70	449
70-80	382
80-90	306
90-100	257
100-110	224
110-120	180
120-130	135
130-140	92
140-150	55
150-160	29
160-170	12
180	3

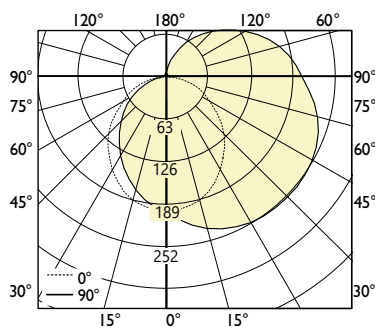
LUMINANCE DATA (cd/m²)

Vertical Angle	Horizontal Angles		
	0	45	90
45	9861	11208	12426
55	8921	11123	12940
65	8290	11302	13676
75	7939	11562	14633
85	6478	12587	15875

90 Degrees - 250 lm/ft



PHOTOMETRIC CURVE



Lumen/ft: 250 lm/ft
Total Lumens: 1000 lm (for 4ft)
Input Watts: 7.6 W
Efficacy: 132 lm/W
 IES FILE: ED2-250-80-35-UB-4-90D.IES

TESTED ACCORDING TO IES LM-79-2008
 80 CRI shown. To calculate watts and efficacy at 90 CRI, apply a multiplier of 0.8.

CANDELA DISTRIBUTION

Vertical Angle	Horizontal Angles				
	0	22.5	45	67.5	90
0	200	200	200	200	200
5	197	202	206	209	211
15	189	202	216	226	232
25	171	193	218	237	244
35	146	178	214	240	251
45	121	157	203	238	252
55	90	134	187	232	251
65	63	109	170	222	244
75	39	84	149	206	232
85	13	64	129	185	211
90	0	57	121	176	200
95	4	52	115	168	193
105	7	46	104	152	173
115	4	41	91	132	148
125	3	35	75	108	121
135	4	27	60	84	95
145	2	19	45	62	70
155	3	14	28	40	47
165	5	9	16	22	25
175	7	7	8	8	9
180	8	8	8	8	8

ZONAL LUMENS

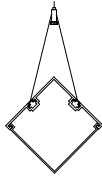
Zone	Lumens
0	
0-10	19
10-20	55
20-30	85
30-40	106
40-50	116
50-60	115
60-70	107
70-80	91
80-90	73
90-100	61
100-110	53
110-120	43
120-130	32
130-140	22
140-150	13
150-160	7
160-170	3
180	1

LUMINANCE DATA (cd/m²)

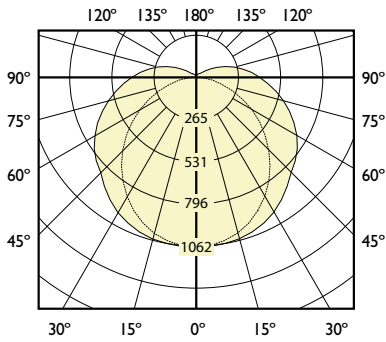
Vertical Angle	Horizontal Angles		
	0	45	90
45	2341	2661	2950
55	2118	2641	3072
65	1968	2683	3247
75	1885	2745	3474
85	1538	2988	3769

PHOTOMETRIC DATA

45 Degrees - 1000 lm/ft



PHOTOMETRIC CURVE



Lumen/ft: 1000 lm/ft
Total Lumens: 4206 lm (for 4ft)
Input Watts: 32.16 W
Efficacy: 131 lm/W
 IES FILE: ED2-1000-80-35-UB-4-45D.IES

TESTED ACCORDING TO IES LM-79-2008
 80 CRI shown. To calculate watts and efficacy at 90 CRI, apply a multiplier of 0.8.

CANDELA DISTRIBUTION

Vertical Angle	Horizontal Angles				
	0	22.5	45	67.5	90
0	1062	1062	1062	1062	1062
5	1055	1056	1057	1059	1061
15	1008	1014	1026	1039	1046
25	919	932	961	992	1006
35	795	815	863	913	936
45	647	671	737	807	843
55	485	517	608	730	775
65	321	367	518	636	678
75	170	259	421	530	567
85	50	173	324	421	454
90	2	133	276	369	399
95	2	95	229	318	347
105	2	31	133	220	247
115	3	3	57	118	145
125	4	4	7	47	69
135	4	4	4	18	32
145	3	3	3	14	25
155	2	2	2	10	18
165	1	1	1	6	11
175	0	0	0	2	4
180	0	0	0	0	0

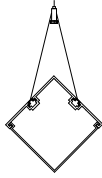
ZONAL LUMENS

Zone	Lumens
0	
0-10	101
10-20	290
20-30	443
30-40	541
40-50	573
50-60	557
60-70	501
70-80	417
80-90	320
90-100	223
100-110	135
110-120	64
120-130	23
130-140	9
140-150	5
150-160	3
160-170	1
180	0

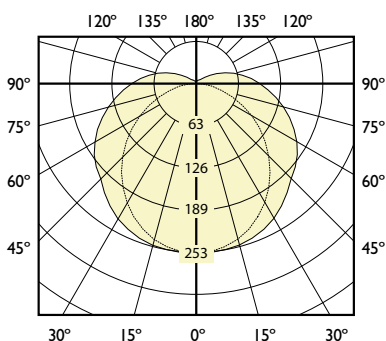
LUMINANCE DATA (cd/m²)

Vertical Angle	Horizontal Angles		
	0	45	90
45	12503	9661	9867
55	11395	8566	9501
65	10010	8152	9010
75	8230	7785	8505
85	5801	7508	8102

45 Degrees - 250 lm/ft



PHOTOMETRIC CURVE



Lumen/ft: 250 lm/ft
Total Lumens: 1000 lm (for 4ft)
Input Watts: 7.6 W
Efficacy: 132 lm/W
 IES FILE: ED2-250-80-35-UB-4-45D.IES

TESTED ACCORDING TO IES LM-79-2008
 80 CRI shown. To calculate watts and efficacy at 90 CRI, apply a multiplier of 0.8.

CANDELA DISTRIBUTION

Vertical Angle	Horizontal Angles				
	0	22.5	45	67.5	90
0	253	253	253	253	253
5	251	251	251	252	252
15	240	241	244	247	249
25	219	222	229	236	239
35	189	194	205	217	223
45	154	160	175	192	201
55	115	123	145	174	184
65	76	87	123	151	161
75	40	62	100	126	135
85	12	41	77	100	108
90	0	32	66	88	95
95	0	23	54	76	83
105	1	7	32	52	59
115	1	1	14	28	34
125	1	1	2	11	16
135	1	1	1	4	8
145	1	1	1	3	6
155	0	0	1	2	4
165	0	0	0	1	3
175	0	0	0	0	1
180	0	0	0	0	0

ZONAL LUMENS

Zone	Lumens
0	
0-10	24
10-20	69
20-30	105
30-40	129
40-50	136
50-60	132
60-70	119
70-80	99
80-90	76
90-100	53
100-110	32
110-120	15
120-130	5
130-140	2
140-150	1
150-160	1
160-170	0
180	0

LUMINANCE DATA (cd/m²)

Vertical Angle	Horizontal Angles		
	0	45	90
45	2974	2298	2347
55	2711	2038	2260
65	2381	1939	2143
75	1958	1852	2023
85	1380	1786	1927