



Project _____

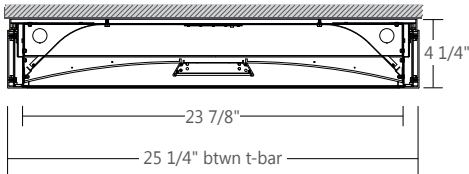
Type _____

Notes _____

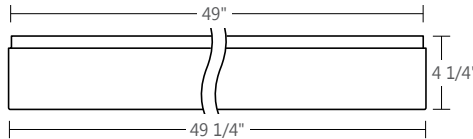
PERFORMANCE AT 4000K

NOMINAL LUMEN OUTPUT	INPUT WATTS*	EFFICACY
3100 lm	31 W	100 lm/W
4500 lm	38.37 W	117 lm/W
5000 lm	44 W	114 lm/W
7000 lm	62.76 W	112 lm/W
9000 lm	81.36 W	111 lm/W

* Based on a 2'x4' luminaire using one driver
Please consult factory for custom lumen output and wattage.



SECTION VIEW



SIDE VIEW



*Check the latest update on the DLC website for complete information. Not all versions may be DLC qualified. See page 2 for DLC Approved options



Ordering Guide

DIALED		SIZE		NOMINAL LUMENS		CRI		COLOR TEMP.		SHIELDING		FINISH	
PRODUCT ID	DIA LED	24	2'X4'	3100	3100 lm - Minimum	80	80 CRI	27	2700 K	VL	VL optics	W	white
DIALED	DIA LED			9000	9000 lm - Maximum	90	90 CRI	30	3000 K			BLK	black
								35	3500 K			C	custom
								40	4000 K				

Outputs between listed min and max are available. Consult factory for outputs outside of the listed range.

VOLTAGE		DRIVER		CIRCUITS		MOUNTING/SUSPENSION		BATTERY (OPTIONAL)	
120	120 V	DP	dimming (0-10V) 1%	1	1 circuit	SM	surface mount	B#	battery pack
277	277 V	LT	Lutron ⁽¹⁾	+E(#)	emergency circuit ⁽³⁾				
347	347 V	BI	bi-level dimming	+NL(#)	night light circuit ⁽³⁾				
UNV	universal	O	other ⁽²⁾	+GTD(#)	generator transfer device ⁽³⁾				

(1) Specify system
(2) Please consult factory
(3) Specify quantity
Not available with 347V
Please consult factory

OTHER (OPTIONAL)	IC CONTROLS (OPTIONAL)	CUSTOM (OPTIONAL)
F fuse ⁽⁴⁾	DS# daylight sensor	C custom
FW(#) flex whip (6' std)	OS# occupancy sensor	
	DOS# daylight & occupancy sensor	
	EN# Enlighted integral ⁽⁵⁾	
	ENR# Enlighted remote ⁽⁵⁾	
	WC# wireless control dimming	

(4) Requires 120V or 277V. Not available with 347V.
(5) Please consult factory. Specify quantity. Requires 1.5" blank. See controls guide for more details.
Please specify

SPECIFY DRIVER NAME (if needed)

SPECIFY BATTERY NAME (if needed)

● SPECIFICATIONS

Housing	Die formed cold rolled sheet steel (20 gauge)
Central Lens Housing	Extruded aluminum (0.060" nominal)
Center Lens	PMMA Precision formed microconical structure 92 percent transmission, cuts off glare above 55°.
Side lens	0.08" PMMA satin blend
Reflectors	Die formed cold rolled sheet steel (22 gauge)
Interior Brackets	Die formed cold rolled sheet steel (20 gauge)
Surface Mount Kit	Extruded aluminum (0.070" nominal)

● ELECTRICAL

Lutron driver*	LDE1 - EcoSystem H-Series (1%) LDE5 - EcoSystem 5-Series (5%) LTE - Hi-Lume® A-series 2Wires Forward Phase (1%) <small>*Consult factory</small>
Other drivers	DALI - Digital Addressable Lighting Interface DMX - Digital Multiplex LV - line voltage - Advance Mark 10 Xitanium SR - For wireless sensor
Emergency	Integral emergency battery pack or emergency circuit optional.
Input Voltage	120V, 277V, 347V, UNV.

i Incorporating these components may have limitations or affect the length of the luminaire. Please contact factory for more details.

● FINISH

Highly reflective, matte powder coat white paint for high efficiency. Matte texture to diffuse glare and lamp image on the surface within the optical chamber exterior. Custom finishes are also available.

● WARRANTY

Axis Lighting will warrant defective LEDs, boards, and drivers for 5 years from date of purchase. Warranty is valid if luminaire is installed and used according to specifications. If defective, Axis will send replacement boards or drivers at no cost along with detailed replacement instructions and instructions on how to return defective components to Axis.

● APPROVALS

Certified to UL and CSA standards
Meets NYC requirements
Suitable for damp locations.

● WEIGHT

Surface Mount 42 lbs / 18.9 kg

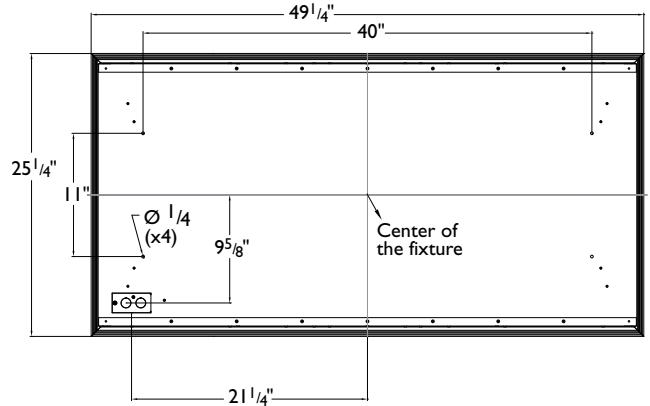
● DLC Approved Options



SIZE	OUTPUT	CRI	LUMENS	SHIELDING	FINISH	VOLTAGE	DRIVER	CIRCUITS
2'x4'	3100 lm	80	3000 K	VL	white	universal	DP	1
	4500 lm		3500 K					
	5000 lm		4000 K					
	7000 lm							
	9000 lm							

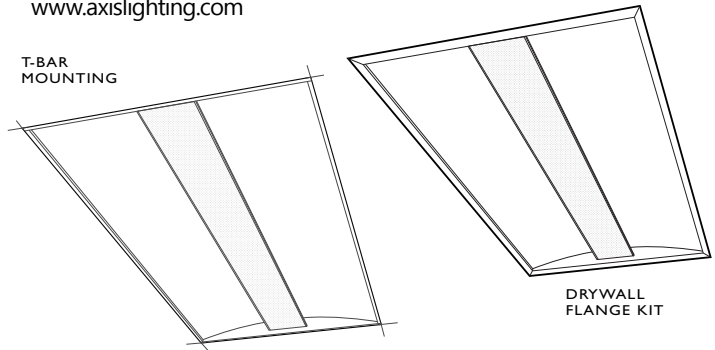
● CEILING SYSTEM

MOUNTING HOLES POSITION



RECESSED OPTION

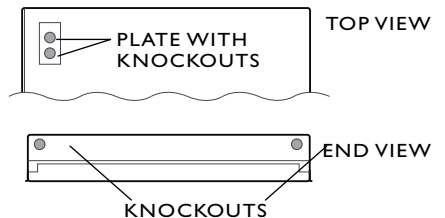
For more details see recessed specification sheets available at: www.axislighting.com



i Installation sheets for all mounting options are available at: www.axislighting.com

● STANDARD AND END MOUNT POWER FEED

Knockouts for BX cable connection are provided both on the top and on the ends of the luminaire. This allows for an end mount power feed solution if it is required. (BX CABLE BY OTHERS)

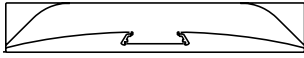


● LED SYSTEM

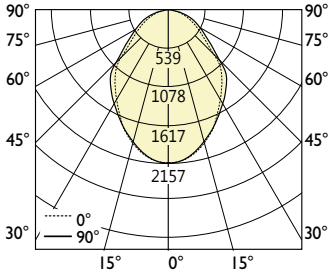
CRI	Minimum 80 or 90 color rendering index
CCT	Choice of 2700K, 3000K, 3500K and 4000K color temperature with a great color consistency (within 3.5-step MacAdam ellipse).
LED Life	Minimum 50,000h with 70% of lumen maintenance in 250C ambient temperature, in compliance with IES LM-80 testing measurements.
Thermal management	Aluminium housing acting as the heat sink to maximize life.

PHOTOMETRIC DATA

LED



PHOTOMETRIC CURVE



Luminaire Lumens: 4500 lm
Input Watts: 38.37 W
Efficacy: 117 lm/W
 IES FILE: DIALED-24-4500-80-40-VL.ies

TESTED ACCORDING TO IES LM-79-2008

CANDELA DISTRIBUTION

Vertical Angle	Horizontal Angles					Zonal Lumens
	0	22.5	45	67.5	90	
0	2155	2155	2155	2155	2155	
10	2069	2068	2067	2072	2071	99
20	1814	1814	1817	1826	1830	171
30	1558	1547	1532	1511	1496	210
40	1304	1304	1280	1225	1199	223
50	850	824	804	776	729	168
60	561	540	518	495	457	122
70	361	342	324	305	277	83
80	159	163	162	142	134	41
90	0	0	0	0	0	

LUMINANCE DATA (cd/m²)

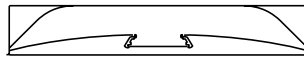
Vertical Angle	Horizontal Angles		
	0	45	90
45	2255	2177	2038
55	1719	1647	1439
65	1566	1434	1243
75	1507	1356	1145
85	713	909	1007

COEFFICIENTS OF UTILIZATION (%)

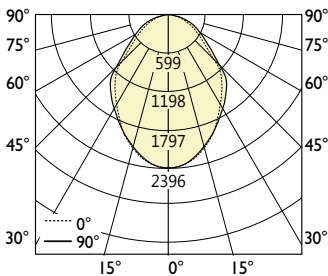
Ceiling	80				70				50			
	70	50	30	10	70	50	30	10	50	30	10	
Wall	70	50	30	10	70	50	30	10	50	30	10	
0	119	119	119	119	117	117	117	117	112	112	112	
1	110	106	102	97	107	103	100	95	99	96	92	
2	101	93	87	79	98	92	86	79	88	83	77	
3	93	83	75	67	90	81	74	66	79	73	65	
4	86	74	66	57	83	73	65	57	71	64	56	
5	79	67	59	50	77	66	58	50	64	57	49	
6	74	61	52	44	72	60	52	44	58	51	44	
7	68	56	47	39	67	55	47	39	53	46	39	
8	64	51	43	35	62	50	43	35	49	42	35	
9	60	47	39	32	59	47	39	32	45	39	32	
10	56	44	36	29	55	43	36	29	42	35	29	

Based on floor reflectance of 20

LED



PHOTOMETRIC CURVE



Luminaire Lumens: 5000 lm
Input Watts: 44 W
Efficacy: 114 lm/W
 IES FILE: DIALED-24-5000-80-40-VL.ies

TESTED ACCORDING TO IES LM-79-2008

CANDELA DISTRIBUTION

Vertical Angle	Horizontal Angles					Zonal Lumens
	0	22.5	45	67.5	90	
0	2394	2394	2394	2394	2394	
10	2298	2298	2297	2302	2301	109
20	2015	2015	2019	2028	2033	190
30	1731	1718	1702	1679	1662	233
40	1449	1449	1422	1361	1332	248
50	944	916	894	862	810	186
60	623	600	575	550	508	136
70	401	380	360	339	308	92
80	177	182	180	158	149	46
90	0	0	0	0	0	

LUMINANCE DATA (cd/m²)

Vertical Angle	Horizontal Angles		
	0	45	90
45	2506	2419	2264
55	1910	1830	1599
65	1740	1593	1381
75	1675	1507	1272
85	793	1010	1119

COEFFICIENTS OF UTILIZATION (%)

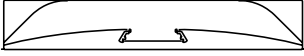
Ceiling	80				70				50			
	70	50	30	10	70	50	30	10	50	30	10	
Wall	70	50	30	10	70	50	30	10	50	30	10	
0	119	119	119	119	117	117	117	117	112	112	112	
1	110	106	102	97	107	103	100	95	99	96	92	
2	101	93	87	79	98	92	86	79	88	83	77	
3	93	83	75	67	90	81	74	66	79	73	65	
4	86	74	66	57	83	73	65	57	71	64	56	
5	79	67	59	50	77	66	58	50	64	57	49	
6	74	61	52	44	72	60	52	44	58	51	44	
7	68	56	47	39	67	55	47	39	53	46	39	
8	64	51	43	35	62	50	43	35	49	42	35	
9	60	47	39	32	59	47	39	32	45	39	32	
10	56	44	36	29	55	43	36	29	42	35	29	

Based on floor reflectance of 20

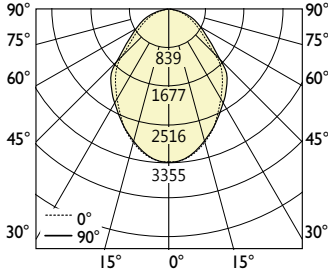
i All IES files are available for download at: www.axislighting.com

PHOTOMETRIC DATA

LED



PHOTOMETRIC CURVE



Luminaire Lumens: 7000 lm
Input Watts: 62.76 W
Efficacy: 112 lm/W
 IES FILE: DIALED-24-7000-80-40-VL.ies
 TESTED ACCORDING TO IES LM-79-2008

CANDELA DISTRIBUTION

Vertical Angle	Horizontal Angles					Zonal Lumens
	0	22.5	45	67.5	90	
0	3352	3352	3352	3352	3352	
10	3218	3217	3215	3223	3222	153
20	2822	2822	2827	2840	2846	265
30	2423	2406	2382	2351	2326	326
40	2028	2028	1991	1905	1865	347
50	1322	1282	1251	1207	1134	261
60	872	839	805	770	712	190
70	562	532	504	474	431	129
80	248	254	252	222	209	64
90	0	0	0	0	0	

LUMINANCE DATA (cd/m²)

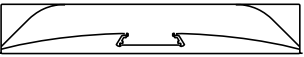
Vertical Angle	Horizontal Angles		
	0	45	90
45	3508	3387	3170
55	2675	2562	2238
65	2436	2230	1934
75	2345	2110	1780
85	1110	1414	1567

COEFFICIENTS OF UTILIZATION (%)

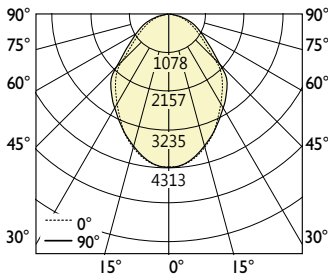
Ceiling	80				70				50			
	70	50	30	10	70	50	30	10	50	30	10	
Wall	70	50	30	10	70	50	30	10	50	30	10	
0	119	119	119	119	117	117	117	117	112	112	112	
1	110	106	102	97	107	103	100	95	99	96	92	
2	101	93	87	79	98	92	86	79	88	83	77	
3	93	83	75	67	90	81	74	66	79	73	65	
4	86	74	66	57	83	73	65	57	71	64	56	
5	79	67	59	50	77	66	58	50	64	57	49	
6	74	61	52	44	72	60	52	44	58	51	44	
7	68	56	47	39	67	55	47	39	53	46	39	
8	64	51	43	35	62	50	43	35	49	42	35	
9	60	47	39	32	59	47	39	32	45	39	32	
10	56	44	36	29	55	43	36	29	42	35	29	

Based on floor reflectance of 20

LED



PHOTOMETRIC CURVE



Luminaire Lumens: 9000 lm
Input Watts: 81.36 W
Efficacy: 111 lm/W
 IES FILE: DIALED-24-9000-80-40-VL.ies
 TESTED ACCORDING TO IES LM-79-2008

CANDELA DISTRIBUTION

Vertical Angle	Horizontal Angles					Zonal Lumens
	0	22.5	45	67.5	90	
0	4310	4310	4310	4310	4310	
10	4137	4136	4134	4144	4142	197
20	3628	3628	3635	3651	3660	341
30	3115	3093	3063	3023	2991	419
40	2607	2607	2560	2450	2398	446
50	1699	1649	1609	1552	1458	335
60	1121	1079	1036	990	915	245
70	722	684	648	610	555	166
80	318	327	323	285	268	83
90	0	0	0	0	0	

LUMINANCE DATA (cd/m²)

Vertical Angle	Horizontal Angles		
	0	45	90
45	4510	4355	4075
55	3439	3294	2878
65	3133	2867	2486
75	3014	2713	2289
85	1427	1818	2014

COEFFICIENTS OF UTILIZATION (%)

Ceiling	80				70				50			
	70	50	30	10	70	50	30	10	50	30	10	
Wall	70	50	30	10	70	50	30	10	50	30	10	
0	119	119	119	119	117	117	117	117	112	112	112	
1	110	106	102	97	107	103	100	95	99	96	92	
2	101	93	87	79	98	92	86	79	88	83	77	
3	93	83	75	67	90	81	74	66	79	73	65	
4	86	74	66	57	83	73	65	57	71	64	56	
5	79	67	59	50	77	66	58	50	64	57	49	
6	74	61	52	44	72	60	52	44	58	51	44	
7	68	56	47	39	67	55	47	39	53	46	39	
8	64	51	43	35	62	50	43	35	49	42	35	
9	60	47	39	32	59	47	39	32	45	39	32	
10	56	44	36	29	55	43	36	29	42	35	29	

Based on floor reflectance of 20

i All IES files are available for download at: www.axislighting.com