



Project \_\_\_\_\_

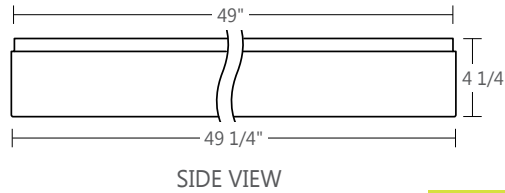
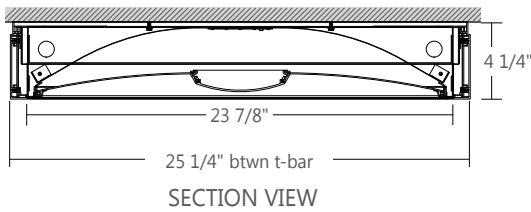
Type \_\_\_\_\_

Notes \_\_\_\_\_

**PERFORMANCE AT 3500K**

NOMINAL LUMEN OUTPUT	INPUT WATTS*	EFFICACY
3200 lm	29.22 W	112 lm/W
4000 lm	37.4 W	107 lm/W

\* Based on a 2'x4' luminaire using one driver  
Please consult factory for custom lumen output and wattage.



\*Check the latest update on the DLC website for complete information. Not all versions may be DLC qualified. See page 2 for DLC Approved options



**Ordering Guide**

PRODUCT ID	SIZE	NOMINAL LUMENS	CRI	COLOR TEMP.	SHIELDING	FINISH
<b>DAYFLED</b> DAY flat LED	24 2'X4'	<b>3200</b> 3200 lm - Minimum	<b>80</b> 80 CRI	<b>27</b> 2700 K	<b>SO</b> spotless lens	<b>W</b> white
<b>DAYCLED</b> DAY curve LED		<b>6000</b> 6000 lm - Maximum	<b>90</b> 90 CRI	<b>30</b> 3000 K <b>35</b> 3500 K <b>40</b> 4000 K		<b>BLK</b> black <b>C</b> custom

Outputs between listed min and max are available. Consult factory for outputs outside of the listed range.

VOLTAGE	DRIVER	CIRCUITS	MOUNTING/SUSPENSION	BATTERY (OPTIONAL)
<b>120</b> 120 V <b>277</b> 277 V <b>347</b> 347 V <b>UNV</b> universal	<b>DP</b> dimming (0-10V) 1% <b>LT</b> Lutron <sup>(1)</sup> <b>BI</b> bi-level dimming <b>O</b> other <sup>(2)</sup>	<b>1</b> 1 circuit <b>+E(#)</b> emergency circuit <sup>(3)</sup> <b>+NL(#)</b> night light circuit <sup>(3)</sup> <b>+GTD(#)</b> generator transfer device <sup>(3)</sup>	<b>SM</b> surface mount	<b>B#</b> battery Pack

<sup>(1)</sup> Specify system  
<sup>(2)</sup> Please consult factory  
<sup>(3)</sup> Specify quantity  
Please consult factory  
Not available with 347V

OTHER (OPTIONAL)	IC CONTROLS (OPTIONAL)	CUSTOM (OPTIONAL)
<b>F</b> fuse <sup>(4)</sup> <b>FW(#)</b> flex whip (6' std)	<b>DS#</b> daylight sensor <b>OS#</b> occupancy sensor <b>DOS#</b> daylight & occupancy sensor <b>EN#</b> Enlighted integral <sup>(5)</sup> <b>ENR#</b> Enlighted remote <sup>(5)</sup> <b>WC#</b> wireless control dimming	<b>C</b> custom

<sup>(4)</sup> Requires 120V or 277V  
<sup>(5)</sup> Please consult factory  
Specify quantity. Requires 1.5" blank.  
See integrated controls guide for more details.  
Please specify

**SPECIFY DRIVER NAME (if needed)**

\_\_\_\_\_

**SPECIFY BATTERY NAME (if needed)**

\_\_\_\_\_

## ● SPECIFICATIONS

- Housing** Die formed cold rolled sheet steel (20 gauge)
- Central Lens Housing** Extruded aluminum (0.060" nominal)
- Lens** Spotless acrylic lens
- Side lens** 0.08" PMMA satin blend
- Reflectors** Die formed cold rolled sheet steel (22 gauge)
- Interior Brackets** Die formed cold rolled sheet steel (20 gauge)
- Drywall Flange Kit** Extruded aluminum (0.070" nominal)

## ● ELECTRICAL

- Lutron driver\*** LDE1 - EcoSystem H-Series (1%)  
LDE5 - EcoSystem 5-Series (5%)  
LTE - Hi-Lume® A-series 2Wires Forward Phase (1%)  
\*Consult factory
- Other drivers** DALI - Digital Addressable Lighting Interface  
DMX - Digital Multiplex  
LV - line voltage - Advance Mark 10  
Xitanium SR - For wireless sensor
- Emergency** Integral emergency battery pack or emergency circuit optional.
- Input Voltage** 120V, 277V, 347V, UNV.

**i** Incorporating these components may have limitations or affect the length of the luminaire. Please contact factory for more details.

## ● FINISH

Highly reflective, matte powder coat white paint for high efficiency. Matte texture to diffuse glare and lamp image on the surface within the optical chamber exterior. Custom finishes are also available.

## ● WARRANTY

Axis Lighting will warrant defective LEDs, boards, and drivers for 5 years from date of purchase. Warranty is valid if luminaire is installed and used according to specifications. If defective, Axis will send replacement boards or drivers at no cost along with detailed replacement instructions and instructions on how to return defective components to Axis.

## ● APPROVALS

Certified to UL and CSA standards   
Meets NYC requirements  
Suitable for damp locations.

## ● WEIGHT

**Surface Mount** 42 lbs / 18.9 kg

## ● DLC Approved Options

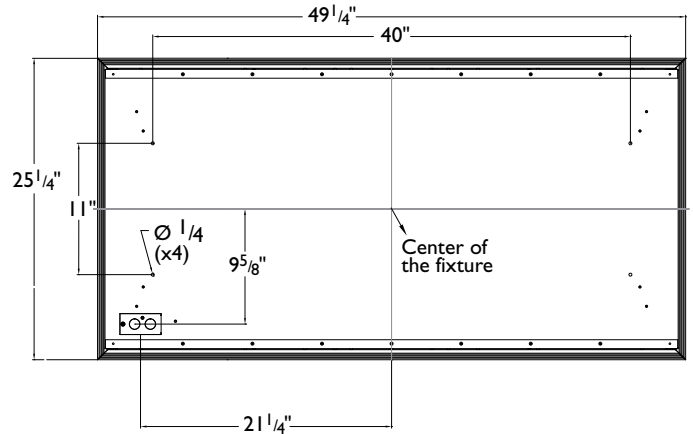


\*Check the latest update on the DLC website for complete information. Not all versions may be DLC qualified.

PRODUCT ID	SIZE	OUTPUT	CRI	LUMENS	SHIELDING	FINISH	VOLTAGE	DRIVER	CIRCUITS
DAYFLED	2'X4'	3100 lm	80	3000 K	VL	white	universal	DP	1
DAYCLED		4500 lm		3500 K					
		5000 lm		4000 K					
		7000 lm							
		9000 lm							

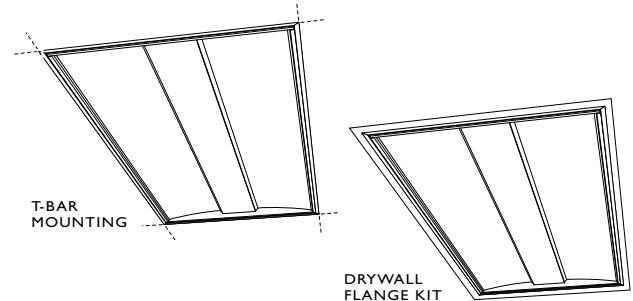
## ● CEILING SYSTEM

### MOUNTING HOLES POSITION



### RECESSED OPTION

For more details see recessed specification sheets available at: [www.axislighting.com](http://www.axislighting.com)

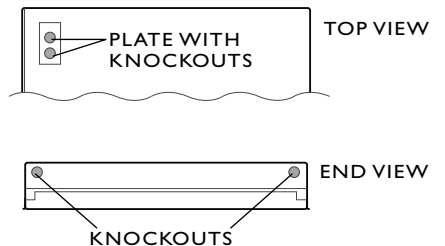


**i** Installation sheets for all mounting options are available at: [www.axislighting.com](http://www.axislighting.com)

## ● STANDARD AND END MOUNT POWER FEED

Knockouts for BX cable connection are provided both on the top and on the ends of the luminaire. This allows for an end mount power feed solution if it is required.

(BX CABLE BY OTHERS)

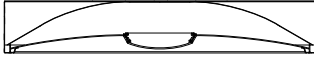


## ● LED SYSTEM

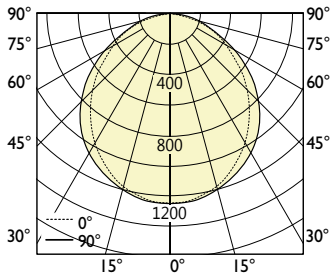
- CRI** Minimum 80 or 90 color rendering index
- CCT** Choice of 2700K, 3000K, 3500K and 4000K color temperature with a great color consistency (within 3.5-step MacAdam ellipse).
- LED life** Minimum 50,000h with 70% of lumen maintenance in 25°C ambient temperature, in compliance with IES LM-80 testing measurements.
- Thermal management** Aluminium housing acting as the heat sink to maximize life.

PHOTOMETRIC DATA

LED



PHOTOMETRIC CURVE



**Luminaire Lumens: 3200 lm**  
**Input Watts: 29.22 W**  
**Efficacy: 112 lm/W**  
 IES FILE: DAYLED-24-3200-80-35-SO.ies

TESTED ACCORDING TO IES LM-79-2008

CANDELA DISTRIBUTION

Vertical Angle	Horizontal Angles					Zonal Lumens
	0	22.5	45	67.5	90	
0	1251	1251	1251	1251	1251	
10	1216	1220	1222	1229	1231	58
20	1127	1135	1143	1157	1163	107
30	985	997	1024	1052	1063	140
40	809	830	874	907	918	153
50	619	643	687	712	721	142
60	428	448	477	491	494	111
70	249	260	275	279	280	69
80	100	103	109	105	103	28
90	0	0	0	0	0	

LUMINANCE DATA (cd/m²)

Vertical Angle	Horizontal Angles		
	0	45	90
45	1614	1773	1868
55	1455	1628	1692
65	1275	1411	1449
75	1044	1149	1155
85	752	844	917

COEFFICIENTS OF UTILIZATION (%)

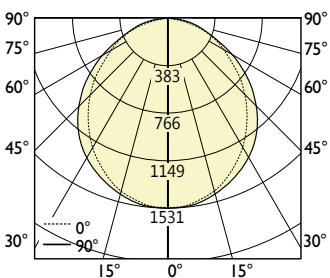
Ceiling	80				70				50			
	70	50	30	10	70	50	30	10	50	30	10	
Wall	70	50	30	10	70	50	30	10	50	30	10	
0	120	120	120	120	117	117	117	117	112	112	112	
1	110	105	101	95	107	103	99	94	98	95	91	
2	100	92	85	77	97	90	84	77	87	81	75	
3	91	81	73	64	89	79	72	64	77	70	63	
4	84	72	63	54	82	71	63	54	68	61	53	
5	77	65	56	46	75	63	55	46	61	54	46	
6	71	58	49	40	69	57	49	40	55	48	40	
7	66	53	44	36	64	52	44	36	50	43	35	
8	62	48	40	32	60	48	40	32	46	39	32	
9	58	44	36	29	56	44	36	29	43	35	28	
10	54	41	33	26	53	40	33	26	39	32	26	

Based on floor reflectance of 20

LED



PHOTOMETRIC CURVE



**Luminaire Lumens: 4000 lm**  
**Input Watts: 37.4 W**  
**Efficacy: 107 lm/W**  
 IES FILE: DAYLED-24-4000-80-35-SO.ies

TESTED ACCORDING TO IES LM-79-2008

CANDELA DISTRIBUTION

Vertical Angle	Horizontal Angles					Zonal Lumens
	0	22.5	45	67.5	90	
0	1530	1530	1530	1530	1530	
10	1487	1492	1495	1503	1506	71
20	1379	1388	1398	1415	1423	131
30	1205	1220	1253	1287	1300	172
40	990	1015	1069	1109	1123	187
50	757	787	840	871	882	174
60	524	548	583	601	604	136
70	305	318	336	341	343	85
80	122	126	133	128	126	35
90	0	0	0	0	0	

LUMINANCE DATA (cd/m²)

Vertical Angle	Horizontal Angles		
	0	45	90
45	1975	2168	2285
55	1780	1991	2070
65	1560	1726	1772
75	1244	1406	1413
85	920	1032	1122

COEFFICIENTS OF UTILIZATION (%)

Ceiling	80				70				50			
	70	50	30	10	70	50	30	10	50	30	10	
Wall	70	50	30	10	70	50	30	10	50	30	10	
0	120	120	120	120	117	117	117	117	112	112	112	
1	110	105	101	95	107	103	99	94	98	95	91	
2	100	92	85	77	97	90	84	77	87	81	75	
3	91	81	73	64	89	79	72	64	77	70	63	
4	84	72	63	54	82	71	63	54	68	61	53	
5	77	65	56	46	75	63	55	46	61	54	46	
6	71	58	49	40	69	57	49	40	55	48	40	
7	66	53	44	36	64	52	44	36	50	43	35	
8	62	48	40	32	60	48	40	32	46	39	32	
9	58	44	36	29	56	44	36	29	43	35	28	
10	54	41	33	26	53	40	33	26	39	32	26	

Based on floor reflectance of 20

**i** All IES files are available for download at: [www.axislighting.com](http://www.axislighting.com)