



Project \_\_\_\_\_

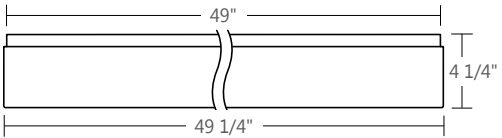
Type \_\_\_\_\_

Notes \_\_\_\_\_

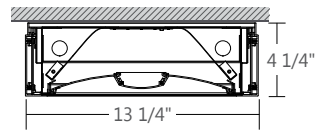
**PERFORMANCE AT 4000K**

NOMINAL LUMEN OUTPUT	INPUT WATTS*	EFFICACY
4000 lm	39.08 W	102 lm/W
5000 lm	49.54 W	101 lm/W
6500 lm	67.13 W	97 lm/W
7700 lm	82.12 W	94 lm/W

\* Based on a 1'x4' luminaire using one driver  
Please consult factory for custom lumen output and wattage.



SIDE VIEW



SECTION VIEW



**Ordering Guide**

PRODUCT ID		SIZE	NOMINAL LUMENS		CRI	COLOR TEMP.	SHIELDING	FINISH
<b>DAYFLED</b>	DAY flat led	<b>14</b> 1'X4'	<b>4000</b>	4000 lm - Minimum	<b>80</b>	2700 K	<b>SO</b> spotless lens	<b>W</b> white
<b>DAYCLED</b>	DAY curve led		<b>7700</b>	7700 lm - Maximum	<b>90</b>	3000 K		<b>BLK</b> black
						<b>35</b> 3500 K		<b>C</b> custom
						<b>40</b> 4000 K		
<small>Outputs between listed min and max are available. Consult factory for outputs outside of the listed range.</small>								

VOLTAGE		DRIVER	CIRCUITS	MOUNTING/SUSPENSION	BATTERY (OPTIONAL)
<b>120</b>	120 V	<b>DP</b> dimming (0-10V) 1%	<b>1</b> 1 circuit	<b>SM</b> surface mount	<b>B#</b> Battery Pack
<b>277</b>	277 V	<b>LT</b> Lutron <sup>(1)</sup>	<b>+E(#)</b> emergency circuit <sup>(3)</sup>		
<b>347</b>	347 V	<b>BI</b> bi-level dimming	<b>+NL(#)</b> night light circuit <sup>(3)</sup>		
<b>UNV</b>	universal	<b>O</b> other <sup>(2)</sup>	<b>+GTD(#)</b> generator transfer device <sup>(3)</sup>		
		<small>(1) Specify system (2) Please consult factory</small>	<small>(3) Specify quantity</small>	<small>Please consult factory Not available with 347V Please consult factory</small>	

OTHER (OPTIONAL)	IC CONTROLS (OPTIONAL)	CUSTOM (OPTIONAL)
<b>F</b> fuse <sup>(4)</sup>	<b>DS#</b> daylight sensor	<b>C</b> custom
<b>FW(#)</b> flex whip (6' std)	<b>OS#</b> occupancy sensor	
	<b>DOS#</b> daylight & occupancy sensor	
	<b>EN#</b> Enlighted integral <sup>(5)</sup>	
	<b>ENR#</b> Enlighted remote <sup>(5)</sup>	
	<b>WC#</b> wireless control dimming	
<small>(4) Requires 120V or 277V</small>	<small>(5) Please consult factory Specify quantity. Requires 1.5" blank. See integrated controls guide for more details.</small>	<small>Please specify</small>

**SPECIFY DRIVER NAME (if needed)**

**SPECIFY BATTERY NAME (if needed)**

● SPECIFICATIONS

<b>Housing</b>	Die formed cold rolled sheet steel (20 gauge)
<b>Central Lens Housing</b>	Extruded aluminum (0.060" nominal)
<b>Lens</b>	Spotless acrylic lens
<b>Side lens</b>	0.08" PMMA satin blend
<b>Reflectors</b>	Die formed cold rolled sheet steel (22 gauge)
<b>Interior Brackets</b>	Die formed cold rolled sheet steel (20 gauge)
<b>Surface Mount Kit</b>	Extruded aluminum (0.070" nominal)

● ELECTRICAL

<b>Lutron driver*</b>	LDE1 - EcoSystem H-Series (1%) LDE5 - EcoSystem 5-Series (5%) LTE - Hi-Lume® A-series 2Wires Forward Phase (1%) <small>*Consult factory</small>
<b>Other drivers</b>	DAI - Digital Addressable Lighting Interface DMX - Digital Multiplex LV - line voltage - Advance Mark 10 Xitanium SR - For wireless sensor
<b>Emergency</b>	Integral emergency battery pack or emergency circuit optional.
<b>Input Voltage</b>	120V, 277V, 347V, UNV.

**i** Incorporating these components may have limitations or affect the length of the luminaire. Please contact factory for more details.

● FINISH

Highly reflective, matte powder coat white paint for high efficiency. Matte texture to diffuse glare and lamp image on the surface within the optical chamber exterior. Custom finishes are also available.

● WARRANTY

Axis Lighting will warrant defective LEDs, boards, and drivers for 5 years from date of purchase. Warranty is valid if luminaire is installed and used according to specifications. If defective, Axis will send replacement boards or drivers at no cost along with detailed replacement instructions and instructions on how to return defective components to Axis.

● APPROVALS

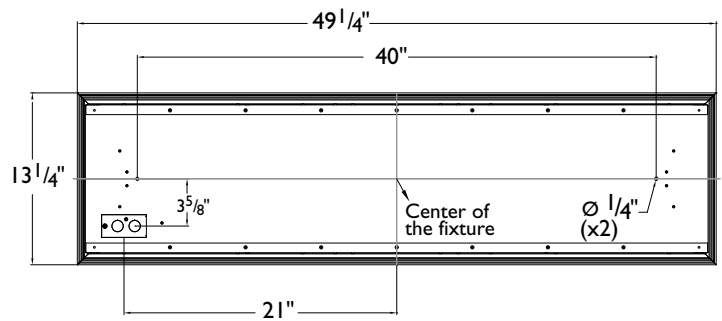
Certified to UL and CSA standards Meets NYC requirements Suitable for damp locations.

● WEIGHT

<b>Surface Mount</b>	26 lbs / 11.8 kg
----------------------	------------------

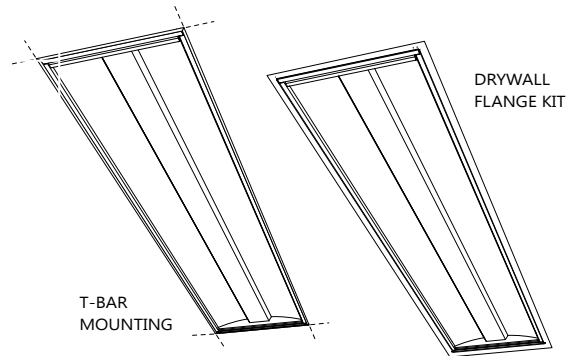
● CEILING SYSTEM

MOUNTING HOLES POSITION



RECESSED OPTION

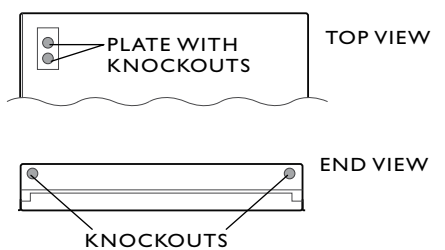
For more details see recessed specification sheets available at [www.axislighting.com](http://www.axislighting.com)



**i** Installation sheets for all mountings options are available at [www.axislighting.com](http://www.axislighting.com)

● STANDARD AND END MOUNT POWER FEED

Knockouts for BX cable connection are provided both on the top and on the ends of the luminaire. This allows for an end mount power feed solution if it is required.

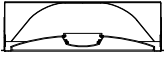


● LED SYSTEM

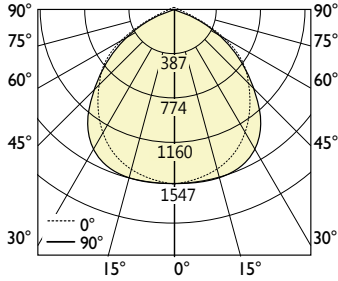
<b>CRI</b>	Minimum 80 or 90 color rendering index
<b>CCT</b>	Choice of 2700K, 3000K, 3500K and 4000K color temperature with a great color consistency (within 3.5-step MacAdam ellipse).
<b>LED life</b>	Minimum 50,000h with 70% of lumen maintenance in 25°C ambient temperature, in compliance with IES LM-80 testing measurements.
<b>Thermal management</b>	Aluminium housing acting as the heat sink to maximize life.

● PHOTOMETRIC DATA

LED



PHOTOMETRIC CURVE



**Luminaire Lumens: 4000 lm**  
**Input Watts: 39.08 W**  
**Efficacy: 102 lm/W**  
 IES FILE: DAYLED-14-4000-80-40-SO.ies

TESTED ACCORDING TO IES LM-79-2008

CANDELA DISTRIBUTION

Vertical Angle	Horizontal Angles					Zonal Lumens
	0	22.5	45	67.5	90	
0	1532	1532	1532	1532	1532	
10	1493	1501	1515	1534	1543	72
20	1400	1420	1469	1521	1542	138
30	1245	1282	1365	1419	1434	185
40	1042	1092	1161	1178	1172	200
50	803	845	865	835	811	176
60	551	570	549	497	474	126
70	315	312	275	236	222	70
80	122	107	86	84	84	26
90	0	0	0	0	0	

LUMINANCE DATA (cd/m<sup>2</sup>)

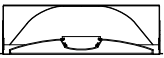
Vertical Angle	Horizontal Angles		
	0	45	90
45	4511	4974	4854
55	4061	4245	3786
65	3497	3282	2742
75	2827	2205	1809
85	1947	1175	839

COEFFICIENTS OF UTILIZATION (%)

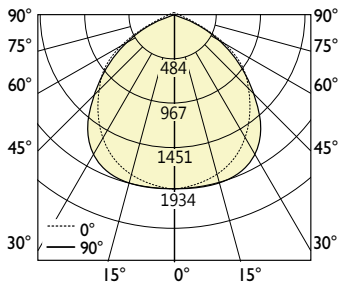
Ceiling	80				70				50			
	70	50	30	10	70	50	30	10	50	30	10	
Wall	70	50	30	10	70	50	30	10	50	30	10	
0	119	119	119	119	116	116	116	116	111	111	111	
1	110	106	102	97	107	103	100	95	99	96	92	
2	101	93	87	79	98	91	85	78	88	83	77	
3	92	82	75	66	90	81	74	66	78	72	65	
4	85	73	65	56	83	72	64	56	70	63	55	
5	78	66	57	48	76	65	57	48	63	56	48	
6	72	60	51	42	70	59	50	42	57	50	42	
7	67	54	46	37	65	53	45	37	52	45	37	
8	63	49	41	33	61	49	41	33	47	40	33	
9	59	45	37	30	57	45	37	30	44	37	30	
10	55	42	34	27	54	41	34	27	40	34	27	

Based on floor reflectance of 20

LED



PHOTOMETRIC CURVE



**Luminaire Lumens: 5000 lm**  
**Input Watts: 49.54 W**  
**Efficacy: 101 lm/W**  
 IES FILE: DAYLED-14-5000-80-40-SO.ies

TESTED ACCORDING TO IES LM-79-2008

CANDELA DISTRIBUTION

Vertical Angle	Horizontal Angles					Zonal Lumens
	0	22.5	45	67.5	90	
0	1915	1915	1915	1915	1915	
10	1866	1877	1894	1917	1929	90
20	1750	1775	1836	1901	1928	172
30	1556	1603	1707	1774	1793	232
40	1303	1365	1452	1473	1464	250
50	1004	1056	1082	1044	1014	220
60	689	712	687	622	592	158
70	393	390	344	295	277	88
80	153	134	107	105	105	32
90	0	0	0	0	0	

LUMINANCE DATA (cd/m<sup>2</sup>)

Vertical Angle	Horizontal Angles		
	0	45	90
45	5639	6218	6068
55	5076	5306	4732
65	4371	4103	3428
75	3533	2756	2261
85	2434	1469	1049

COEFFICIENTS OF UTILIZATION (%)

Ceiling	80				70				50			
	70	50	30	10	70	50	30	10	50	30	10	
Wall	70	50	30	10	70	50	30	10	50	30	10	
0	119	119	119	119	116	116	116	116	111	111	111	
1	110	106	102	97	107	103	100	95	99	96	92	
2	101	93	87	79	98	91	85	78	88	83	77	
3	92	82	75	66	90	81	74	66	78	72	65	
4	85	73	65	56	83	72	64	56	70	63	55	
5	78	66	57	48	76	65	57	48	63	56	48	
6	72	60	51	42	70	59	50	42	57	50	42	
7	67	54	46	37	65	53	45	37	52	45	37	
8	63	49	41	33	61	49	41	33	47	40	33	
9	59	45	37	30	57	45	37	30	44	37	30	
10	55	42	34	27	54	41	34	27	40	34	27	

Based on floor reflectance of 20

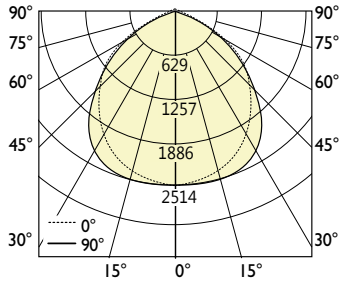
**i** All IES files are available for download at: [www.axislighting.com](http://www.axislighting.com)

● PHOTOMETRIC DATA

LED



PHOTOMETRIC CURVE



**Luminaire Lumens: 6500 lm**  
**Input Watts: 67.13 W**  
**Efficacy: 97 lm/W**  
 IES FILE: DAYLED-14-6500-80-40-SO.ies  
 TESTED ACCORDING TO IES LM-79-2008

CANDELA DISTRIBUTION

Vertical Angle	Horizontal Angles					Zonal Lumens
	0	22.5	45	67.5	90	
0	2489	2489	2489	2489	2489	
10	2426	2440	2462	2492	2507	117
20	2275	2307	2387	2472	2506	224
30	2023	2083	2219	2306	2331	301
40	1694	1774	1887	1915	1904	325
50	1306	1373	1406	1357	1318	286
60	895	926	892	808	770	205
70	511	507	448	384	361	114
80	199	174	140	137	137	42
90	0	0	0	0	0	

LUMINANCE DATA (cd/m<sup>2</sup>)

Vertical Angle	Horizontal Angles		
	0	45	90
45	7330	8083	7888
55	6599	6898	6251
65	5682	5333	4456
75	4593	3583	2940
85	3165	1910	1364

COEFFICIENTS OF UTILIZATION (%)

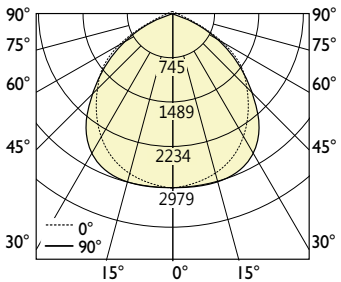
Ceiling	80				70				50			
	70	50	30	10	70	50	30	10	50	30	10	
Wall	70	50	30	10	70	50	30	10	50	30	10	
0	119	119	119	119	116	116	116	116	111	111	111	
1	110	106	102	97	107	103	100	95	99	96	92	
2	101	93	87	79	98	91	85	78	88	83	77	
3	92	82	75	66	90	81	74	66	78	72	65	
4	85	73	65	56	83	72	64	56	70	63	55	
5	78	66	57	48	76	65	57	48	63	56	48	
6	72	60	51	42	70	59	50	42	57	50	42	
7	67	54	46	37	65	53	45	37	52	45	37	
8	63	49	41	33	61	49	41	33	47	40	33	
9	59	45	37	30	57	45	37	30	44	37	30	
10	55	42	34	27	54	41	34	27	40	34	27	

Based on floor reflectance of 20

LED



PHOTOMETRIC CURVE



**Luminaire Lumens: 7700 lm**  
**Input Watts: 82.12 W**  
**Efficacy: 94 lm/W**  
 IES FILE: DAYLED-14-7700-80-40-SO.ies  
 TESTED ACCORDING TO IES LM-79-2008

CANDELA DISTRIBUTION

Vertical Angle	Horizontal Angles					Zonal Lumens
	0	22.5	45	67.5	90	
0	2949	2949	2949	2949	2949	
10	2874	2890	2916	2952	2970	139
20	2695	2733	2828	2928	2969	265
30	2396	2468	2628	2731	2761	357
40	2006	2101	2236	2268	2255	385
50	1547	1627	1666	1607	1561	339
60	1060	1096	1057	957	912	243
70	606	601	530	455	427	135
80	236	206	165	162	162	49
90	0	0	0	0	0	

LUMINANCE DATA (cd/m<sup>2</sup>)

Vertical Angle	Horizontal Angles		
	0	45	90
45	8684	9576	9345
55	7818	8171	7287
65	6731	6318	5278
75	5441	4244	3482
85	3749	2262	1616

COEFFICIENTS OF UTILIZATION (%)

Ceiling	80				70				50			
	70	50	30	10	70	50	30	10	50	30	10	
Wall	70	50	30	10	70	50	30	10	50	30	10	
0	119	119	119	119	116	116	116	116	111	111	111	
1	110	106	102	97	107	103	100	95	99	96	92	
2	101	93	87	79	98	91	85	78	88	83	77	
3	92	82	75	66	90	81	74	66	78	72	65	
4	85	73	65	56	83	72	64	56	70	63	55	
5	78	66	57	48	76	65	57	48	63	56	48	
6	72	60	51	42	70	59	50	42	57	50	42	
7	67	54	46	37	65	53	45	37	52	45	37	
8	63	49	41	33	61	49	41	33	47	40	33	
9	59	45	37	30	57	45	37	30	44	37	30	
10	55	42	34	27	54	41	34	27	40	34	27	

Based on floor reflectance of 20

**i** All IES files are available for download at: [www.axislighting.com](http://www.axislighting.com)