

PROJECT INFORMATION

Project:

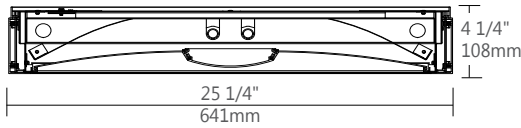
Notes:

Type:

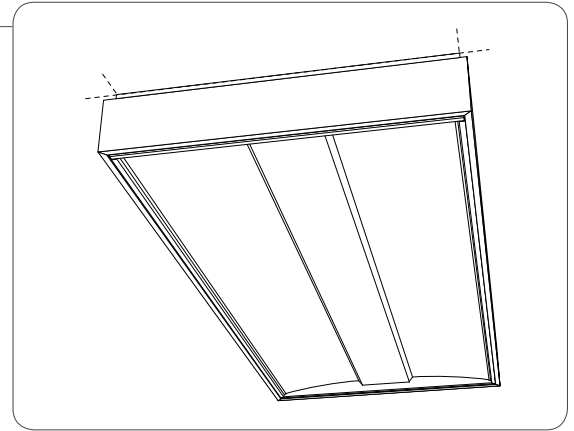
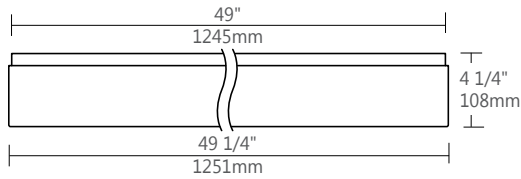
Approved by: Date:

DIMENSIONS

SECTION VIEW



SIDE VIEW



ORDERING CODE

1	2	3	4	5	6	7	8	9	10	11	12	13	14
---	---	---	---	---	---	---	---	---	----	----	----	----	----

PRODUCT SPECIFICATIONS

1 PRODUCT ID	2 SIZE	3 CENTER OPTIC	4 LAMP	5 LAMP CONFIGURATION	6 FINISH
DAYF flat DAYC curved	24 2'X4'	S satin lens SB baffle ⁽¹⁾	T5 T5 T5HO T5HO T8 T8	1 1 lamp 2 2 lamps 3 3 lamps	AM antimicrobial W white BLK black C custom
(1) With frosted lens					

7 VOLTAGE	8 BALLAST	9 CIRCUITS	10 MOUNTING/SUSPENSION	11 BATTERY (OPTIONAL)
120 120V 277 277V 347 347V ⁽²⁾ UNV universal	D dimming E instant start ⁽³⁾ ERS program start BI bi-level dimming +M master +S satellite	1 1 regular 2 2 regular 2A/B 2 alternating +E(#) emergency section +NL(#) night light section +GTD(#) generator transfer device	SM surface mount	B# battery pack
(2) Please consult factory		(3) Available with T8 lamp only		

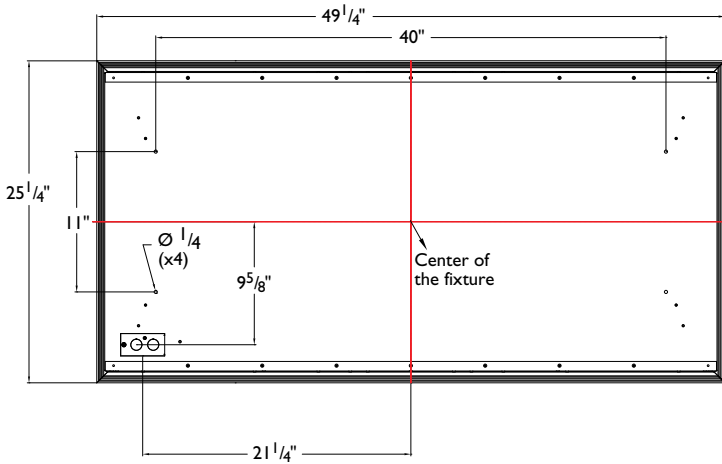
12 OTHER (OPTIONAL)	13 IC CONTROLS (OPTIONAL)	14 CUSTOM (OPTIONAL)
F fuse FW(#) flex whip (6' std)	DS# daylight sensor OS# occupancy sensor DS+OS# daylight+occupancy sensor DOS# daylight&occupancy sensor <small>See integrated controls guide for further details</small>	C custom <small>Please specify</small>

SPECIFY BALLAST NAME (if needed)

SPECIFY BATTERY NAME (if needed)

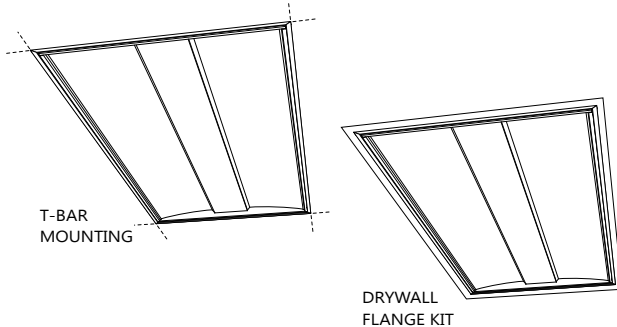
● CEILING SYSTEM

MOUNTING HOLES POSITION



RECESSED OPTION

For more details see recessed specification sheets available at www.axislighting.com



i Installation sheets for all mounting options are available at www.axislighting.com

● CONSTRUCTION

Housing	Die formed cold rolled sheet steel (20 gauge)
Central Lens Housing	Extruded aluminum (0.060" nominal)
Reflectors	Die formed cold rolled sheet steel (22 gauge)
Interior Brackets	Die formed cold rolled sheet steel (20 gauge)
Surface Mount Kit	Extruded aluminum (0.070" nominal)

● WEIGHT

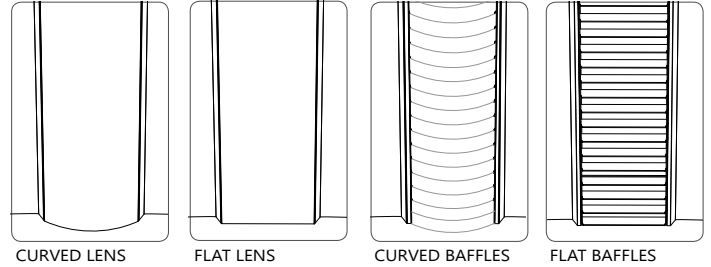
Surface Mount	42 lbs / 18.9 kg
----------------------	------------------

● FINISH

Matte white powder coat with 90% reflectance.
 Custom finish are also available for exterior surfaces.

● OPTICAL SYSTEM

Central Lens: Satin	PMMA, satin blend (0.9" nominal)
Central Lens Baffles	Die formed aluminum (22 gauge) powder painted white
Side Lenses: Satin	Acrylic, satin blend (0.08" nominal)




All DAY luminaires are available with a choice of center lens or baffle and with a curved or flat detail for the center optical element.

● ELECTRICAL

Ballast	Electronic IS, Electronic Rapid Start, Dimming (0-10V, Line, EcoSystem, DALI), BI-level dimming With preinstalled ballast disconnect as per NEC & CEC
Emergency	Emergency battery pack or emergency circuit
Voltage	120V, 277V, 347V, UNV

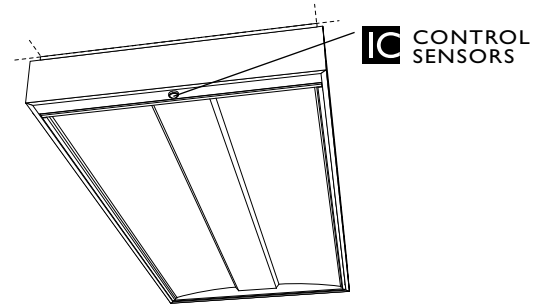
● APPROVALS

Certified to UL and CUL standards 
 Meets NYC requirements
 Suitable for damp locations.

● INTEGRATED CONTROL OPTIONS

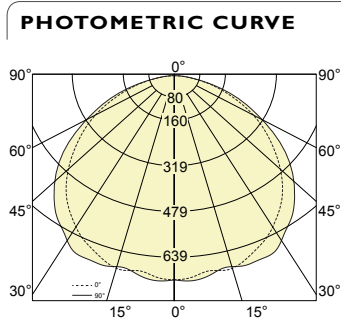
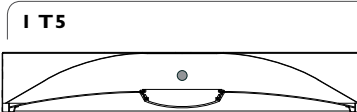
DAY luminaires allow the use of integrated controls such as daylight sensors (DS), occupancy sensors (OS), individual daylight sensors and occupancy sensors (DS+OS), and combination daylight/occupancy sensors (DOS). These options can be seamlessly integrated into our luminaires. The control system could be used to optimize the lighting of the space by reducing energy consumption through daylight harvesting and occupancy, thereby improving the overall interior environment and allowing for LEED credits.

- Consult factory for other options.
- Refer to IC brochure for more information.



SENSORS	BRAND	Model	TYPE	CODE	COMPATIBLE DIMMING BALLAST
Daylight Sensor (DS)	Lutron	EC-DIR-WH	Daylight	LD	EcoSystem
	Wattstopper	FD-301	Daylight	WD	0-10V
	Philips	Luxsense	Daylight	PL	0-10V
Occupancy Sensor (OS)	Wattstopper	FS-205	PIR Occupancy	WP1	Programmed Rapid Start
		FS-355	PIR Occupancy	WP2	Programmed Rapid Start
		FS-155	PIR Occupancy	WP3	Programmed Rapid Start
		FS-505	Ultrasonic Occupancy	WU1	Programmed Rapid Start
		FS-505C	Ultrasonic Occupancy	WU2	Programmed Rapid Start
		FM-105	High Frequency Occupancy	WH	Programmed Rapid Start
Daylight & Occupancy Sensors (DOS)	Philips	Actilume	Daylight & PIR Occupancy	PA	DALI or 0-10V

● PHOTOMETRIC DATA



Test Lamp: 1x F28T5
 IES FILE: DAY24-S-T5-I.ies

Efficiency: 81.1%

CANDELA DISTRIBUTION

Vertical Angle	Horizontal Angles					Zonal Lumens
	0	22.5	45	67.5	90	
0	712	712	712	712	712	
5	707	716	711	706	719	38
15	703	703	710	715	693	168
25	672	683	694	707	708	292
35	618	619	653	663	672	388
45	535	546	574	590	595	437
55	418	432	449	474	479	419
65	290	295	311	318	320	334
75	153	154	161	166	166	205
85	37	39	41	42	40	71
90	6	6	5	3	3	

LUMINANCE DATA (CD/M²)

Vertical Angle	Horizontal Angles		
	0	45	90
45	960	942	986
55	893	853	919
65	796	725	757
75	614	508	534
85	299	207	211

COEFFICIENTS OF UTILIZATION (%)

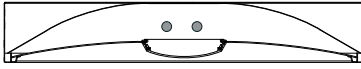
Ceiling	80				70				50			
	70	50	30	10	70	50	30	10	50	30	10	
0	97	97	97	97	95	95	95	95	90	90	90	
1	88	84	81	77	86	82	79	76	79	76	74	
2	80	73	67	63	78	72	66	62	69	64	60	
3	73	64	57	52	71	63	56	51	60	55	50	
4	66	56	49	43	64	55	48	43	53	47	43	
5	61	50	43	37	59	49	42	37	47	41	36	
6	56	45	38	32	54	44	37	32	43	36	32	
7	52	41	33	28	50	40	33	28	39	32	28	
8	48	37	30	25	47	36	30	25	35	29	25	
9	45	34	27	22	44	33	27	22	32	26	22	
10	42	31	25	20	41	31	24	20	30	24	20	

Based on floor reflectance of 20

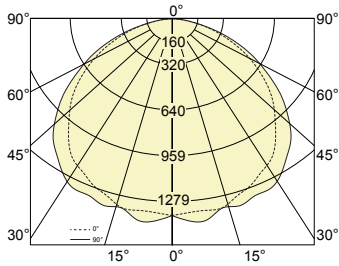
i All IES files are available for download at: www.axislighting.com

PHOTOMETRIC DATA

2 T5



PHOTOMETRIC CURVE



Test Lamp: 2xF28T5
 IES FILE: DAY24-S-T5-2.ies

Efficiency: 79.3%

CANDELA DISTRIBUTION

Vertical Angle	Horizontal Angles					Zonal Lumens
	0	22.5	45	67.5	90	
0	1387	1387	1387	1387	1387	
5	1371	1381	1361	1424	1431	75
15	1379	1365	1376	1387	1380	327
25	1302	1325	1348	1370	1378	569
35	1215	1223	1272	1317	1340	760
45	1032	1065	1113	1179	1189	855
55	825	839	894	924	940	821
65	564	575	604	628	639	653
75	295	301	315	323	320	400
85	72	74	78	83	83	138
90	13	12	9	6	5	

COEFFICIENTS OF UTILIZATION (%)

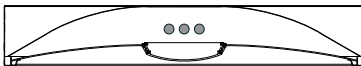
Ceiling	80				70				50			
	70	50	30	10	70	50	30	10	50	30	10	
Wall	70	50	30	10	70	50	30	10	50	30	10	
0	95	95	95	95	93	93	93	93	88	88	88	
1	86	82	79	76	84	81	77	75	77	75	72	
2	78	72	66	61	76	70	65	61	67	63	59	
3	71	63	56	51	69	61	55	50	59	54	49	
4	65	55	48	43	63	54	47	42	52	46	42	
5	60	49	42	36	58	48	41	36	46	40	36	
6	55	44	37	31	53	43	36	31	42	36	31	
7	51	40	33	28	49	39	32	28	38	32	27	
8	47	36	29	25	46	36	29	24	35	29	24	
9	44	33	26	22	43	33	26	22	32	26	22	
10	41	30	24	20	40	30	24	20	29	24	20	

Based on floor reflectance of 20

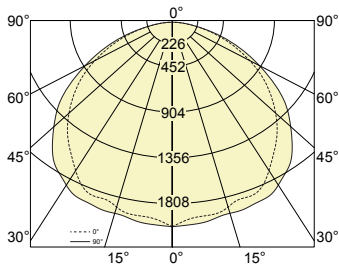
LUMINANCE DATA (CD/M²)

Vertical Angle	Horizontal Angles		
	0	45	90
45	1849	1829	1968
55	1764	1696	1804
65	1550	1408	1511
75	1187	990	1029
85	576	394	437

3 T5



PHOTOMETRIC CURVE



Test Lamp: 3xF28T5
 IES FILE: DAY24-S-T5-3.ies

Efficiency: 76.0%

CANDELA DISTRIBUTION

Vertical Angle	Horizontal Angles					Zonal Lumens
	0	22.5	45	67.5	90	
0	2034	2034	2034	2034	2034	
5	1965	1981	2018	2010	2023	108
15	1943	1945	1989	1990	1985	469
25	1898	1882	1939	1974	1982	815
35	1714	1749	1836	1885	1903	1092
45	1476	1532	1625	1687	1687	1230
55	1174	1202	1281	1330	1359	1178
65	806	828	873	892	903	939
75	424	435	452	457	460	574
85	108	109	111	118	119	201
90	19	19	13	10	7	

COEFFICIENTS OF UTILIZATION (%)

Ceiling	80				70				50			
	70	50	30	10	70	50	30	10	50	30	10	
Wall	70	50	30	10	70	50	30	10	50	30	10	
0	91	91	91	91	89	89	89	89	85	85	85	
1	83	79	76	73	81	77	74	71	74	71	69	
2	75	68	63	59	73	67	62	58	64	60	57	
3	68	60	53	48	66	59	53	48	56	51	47	
4	62	53	46	41	60	52	45	40	50	44	40	
5	57	47	40	35	55	46	39	35	44	39	34	
6	52	42	35	30	51	41	35	30	40	34	30	
7	49	38	31	26	47	37	31	26	36	30	26	
8	45	35	28	23	44	34	28	23	33	27	23	
9	42	32	25	21	41	31	25	21	30	25	21	
10	39	29	23	19	38	29	23	19	28	23	19	

Based on floor reflectance of 20

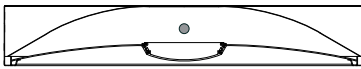
LUMINANCE DATA (CD/M²)

Vertical Angle	Horizontal Angles		
	0	45	90
45	2645	2670	2793
55	2508	2432	2607
65	2217	2036	2136
75	1706	1422	1478
85	860	565	625

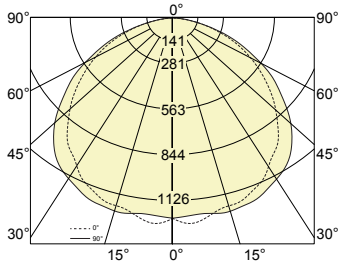
i All IES files are available for download at: www.axislighting.com

PHOTOMETRIC DATA

1 T5HO



PHOTOMETRIC CURVE



Test Lamp: 1xF54T5HO
 IES FILE: DAY24-S-T5HO-1.ies

Efficiency: 81.2%

CANDELA DISTRIBUTION

Vertical Angle	Horizontal Angles					Zonal Lumens
	0	22.5	45	67.5	90	
0	1229	1229	1229	1229	1229	
5	1267	1217	1240	1242	1218	66
15	1206	1229	1218	1222	1238	291
25	1169	1164	1188	1213	1226	503
35	1058	1076	1115	1149	1165	669
45	914	939	988	1025	1040	755
55	715	747	785	807	815	720
65	497	508	534	548	554	575
75	265	270	276	287	283	353
85	67	65	70	73	76	124
90	12	10	8	6	6	

COEFFICIENTS OF UTILIZATION (%)

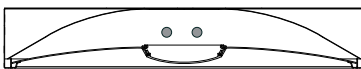
Ceiling	80				70				50			
	70	50	30	10	70	50	30	10	50	30	10	
Wall												
0	97	97	97	97	95	95	95	95	90	90	90	90
1	88	84	81	77	86	82	79	76	79	76	74	74
2	80	73	67	63	78	72	66	62	69	64	60	60
3	73	64	57	52	71	63	56	51	60	55	50	50
4	66	56	49	43	64	55	48	43	53	47	43	43
5	61	50	43	37	59	49	42	37	47	41	37	37
6	56	45	38	32	55	44	37	32	43	36	32	32
7	52	41	33	28	50	40	33	28	39	32	28	28
8	48	37	30	25	47	36	30	25	35	29	25	25
9	45	34	27	22	44	33	27	22	32	26	22	22
10	42	31	25	20	41	31	24	20	30	24	20	20

Based on floor reflectance of 20

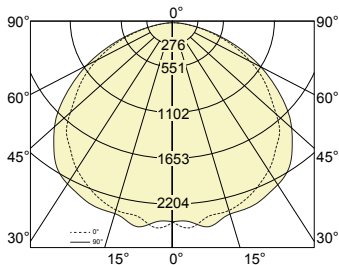
LUMINANCE DATA (CD/M²)

Vertical Angle	Horizontal Angles		
	0	45	90
45	1639	1623	1721
55	1528	1489	1564
65	1367	1245	1311
75	1065	868	909
85	536	357	398

2 T5HO



PHOTOMETRIC CURVE



Test Lamp: 2xF54T5HO
 IES FILE: DAY24-S-T5HO-2.ies

Efficiency: 79.3%

CANDELA DISTRIBUTION

Vertical Angle	Horizontal Angles					Zonal Lumens
	0	22.5	45	67.5	90	
0	2382	2382	2382	2382	2382	
5	2463	2395	2457	2380	2391	130
15	2351	2367	2401	2386	2406	567
25	2252	2288	2329	2376	2385	981
35	2067	2100	2189	2271	2292	1308
45	1814	1826	1934	1996	2027	1475
55	1397	1461	1537	1604	1618	1413
65	975	997	1051	1088	1100	1131
75	504	515	542	552	548	688
85	127	129	132	134	133	237
90	22	23	15	11	10	

COEFFICIENTS OF UTILIZATION (%)

Ceiling	80				70				50			
	70	50	30	10	70	50	30	10	50	30	10	
Wall												
0	95	95	95	95	93	93	93	93	88	88	88	88
1	86	82	79	76	84	81	77	75	77	75	72	72
2	78	72	66	61	76	70	65	61	67	63	59	59
3	71	63	56	51	69	61	55	50	59	54	49	49
4	65	55	48	43	63	54	47	42	52	46	42	42
5	60	49	42	36	58	48	41	36	46	40	36	36
6	55	44	37	32	53	43	36	31	42	36	31	31
7	51	40	33	28	49	39	32	28	38	32	27	27
8	47	36	29	25	46	36	29	24	35	29	24	24
9	44	33	26	22	43	33	26	22	32	26	22	22
10	41	30	24	20	40	30	24	20	29	24	20	20

Based on floor reflectance of 20

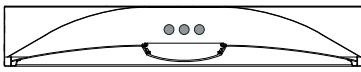
LUMINANCE DATA (CD/M²)

Vertical Angle	Horizontal Angles		
	0	45	90
45	3251	3177	3251
55	2985	2918	3010
65	2682	2450	2498
75	2028	1704	1698
85	1009	671	654

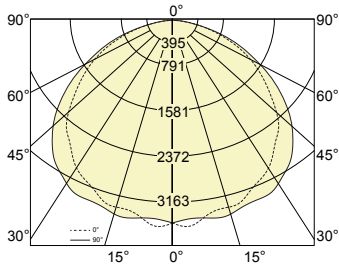
i All IES files are available for download at: www.axislighting.com

PHOTOMETRIC DATA

3 T5HO



PHOTOMETRIC CURVE



Test Lamp: 3x F54T5HO
 IES FILE: DAY24-S-T5HO-3.ies

Efficiency: 76.0%

CANDELA DISTRIBUTION

Vertical Angle	Horizontal Angles					Zonal Lumens
	0	22.5	45	67.5	90	
0	3490	3490	3490	3490	3490	
5	3558	3494	3411	3442	3431	186
15	3354	3371	3411	3435	3500	810
25	3213	3281	3354	3387	3419	1405
35	2968	3012	3107	3253	3297	1875
45	2591	2618	2771	2903	2936	2120
55	1995	2090	2203	2312	2329	2037
65	1406	1417	1502	1551	1555	1620
75	737	739	789	809	796	991
85	175	191	196	202	198	347
90	30	30	23	14	14	

LUMINANCE DATA (CD/M²)

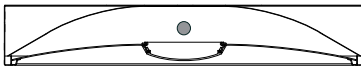
Vertical Angle	Horizontal Angles		
	0	45	90
45	4645	4552	4861
55	4263	4181	4469
65	3867	3501	3679
75	2966	2483	2558
85	1394	991	1037

COEFFICIENTS OF UTILIZATION (%)

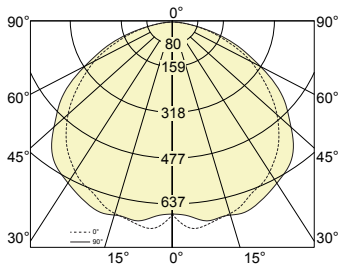
Ceiling	80				70				50			
	70	50	30	10	70	50	30	10	50	30	10	
Wall												
0	91	91	91	91	89	89	89	89	85	85	85	
1	83	79	76	73	81	77	74	71	74	71	69	
2	75	68	63	59	73	67	62	58	64	60	57	
3	68	60	53	48	66	59	53	48	56	51	47	
4	62	53	46	41	60	52	45	40	50	44	40	
5	57	47	40	35	55	46	39	35	44	39	34	
6	52	42	35	30	51	41	35	30	40	34	30	
7	49	38	31	26	47	37	31	26	36	30	26	
8	45	35	28	23	44	34	28	23	33	27	23	
9	42	32	25	21	41	31	25	21	30	25	21	
10	39	29	23	19	38	29	23	19	28	23	19	

Based on floor reflectance of 20

1 T8



PHOTOMETRIC CURVE



Test Lamp: 1x F32T8
 IES FILE: DAY24-S-T8-1.ies

Efficiency: 79.7%

CANDELA DISTRIBUTION

Vertical Angle	Horizontal Angles					Zonal Lumens
	0	22.5	45	67.5	90	
0	665	665	665	665	665	
5	716	698	699	693	675	37
15	697	693	702	696	696	166
25	655	665	682	695	697	286
35	607	614	635	666	659	382
45	524	534	562	586	595	430
55	409	420	449	464	477	411
65	287	290	303	314	316	328
75	149	150	158	162	165	201
85	37	38	38	40	41	70
90	6	7	4	3	3	

LUMINANCE DATA (CD/M²)

Vertical Angle	Horizontal Angles		
	0	45	90
45	939	924	986
55	874	853	914
65	788	706	748
75	598	497	530
85	291	195	214

COEFFICIENTS OF UTILIZATION (%)

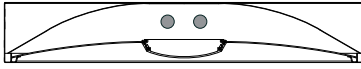
Ceiling	80				70				50			
	70	50	30	10	70	50	30	10	50	30	10	
Wall												
0	95	95	95	95	93	93	93	93	89	89	89	
1	87	83	79	76	85	81	78	75	78	75	73	
2	79	72	66	62	77	70	65	61	68	63	59	
3	72	63	56	51	69	62	55	50	59	54	49	
4	65	55	48	43	63	54	48	42	52	46	42	
5	60	49	42	37	58	48	42	36	47	41	36	
6	55	44	37	32	54	43	37	32	42	36	31	
7	51	40	33	28	50	39	33	28	38	32	27	
8	47	36	29	25	46	36	29	25	35	29	24	
9	44	33	27	22	43	33	26	22	32	26	22	
10	41	31	24	20	40	30	24	20	29	24	20	

Based on floor reflectance of 20

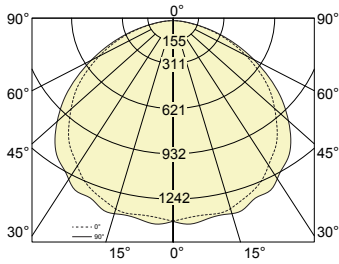
i All IES files are available for download at: www.axislighting.com

PHOTOMETRIC DATA

2 T8



PHOTOMETRIC CURVE



Test Lamp: 2xF32T8
 IES FILE: DAY24-S-T8-2.ies

Efficiency: 77.0%

CANDELA DISTRIBUTION

Vertical Angle	Horizontal Angles					Zonal Lumens
	0	22.5	45	67.5	90	
0	1373	1373	1373	1373	1373	
5	1351	1383	1354	1372	1398	74
15	1356	1345	1358	1352	1373	323
25	1290	1304	1333	1354	1340	561
35	1167	1201	1242	1272	1277	743
45	1009	1036	1082	1117	1144	829
55	804	816	864	889	900	794
65	544	562	581	600	599	627
75	285	289	307	309	303	383
85	70	73	77	79	79	133
90	14	14	9	7	6	

COEFFICIENTS OF UTILIZATION (%)

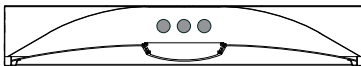
Ceiling	80				70				50			
	70	50	30	10	70	50	30	10	50	30	10	
Wall	70	50	30	10	70	50	30	10	50	30	10	
0	92	92	92	92	90	90	90	90	86	86	86	
1	84	80	77	74	82	78	75	72	75	73	70	
2	76	70	64	60	74	68	63	59	65	61	58	
3	69	61	54	49	67	60	54	49	57	52	48	
4	63	54	47	41	61	53	46	41	51	45	41	
5	58	48	41	35	56	47	40	35	45	39	35	
6	53	43	36	31	52	42	35	31	41	35	30	
7	49	39	32	27	48	38	32	27	37	31	27	
8	46	35	29	24	45	35	28	24	34	28	24	
9	43	32	26	21	42	32	26	21	31	25	21	
10	40	30	23	19	39	29	23	19	29	23	19	

Based on floor reflectance of 20

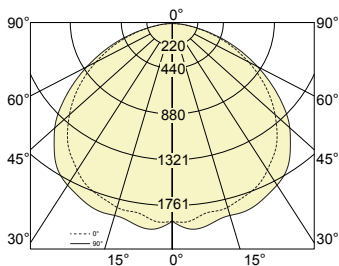
LUMINANCE DATA (CD/M²)

Vertical Angle	Horizontal Angles		
	0	45	90
45	1809	1778	1894
55	1718	1641	1728
65	1497	1355	1416
75	1149	966	975
85	557	393	415

3 T8



PHOTOMETRIC CURVE



Test Lamp: 3xF32T8
 IES FILE: DAY24-S-T8-3.ies

Efficiency: 72.1%

CANDELA DISTRIBUTION

Vertical Angle	Horizontal Angles					Zonal Lumens
	0	22.5	45	67.5	90	
0	1898	1898	1898	1898	1898	
5	1906	1848	1852	1931	1981	102
15	1852	1893	1872	1896	1925	449
25	1785	1815	1839	1872	1920	778
35	1643	1667	1747	1803	1831	1040
45	1424	1454	1534	1590	1608	1170
55	1118	1136	1199	1248	1270	1113
65	761	798	817	835	846	885
75	402	406	425	428	429	540
85	101	104	106	110	114	189
90	20	17	13	7	8	

COEFFICIENTS OF UTILIZATION (%)

Ceiling	80				70				50			
	70	50	30	10	70	50	30	10	50	30	10	
Wall	70	50	30	10	70	50	30	10	50	30	10	
0	86	86	86	86	84	84	84	84	80	80	80	
1	78	75	72	69	76	73	70	68	70	68	66	
2	71	65	60	56	69	64	59	55	61	57	54	
3	65	57	51	46	63	56	50	46	53	49	45	
4	59	50	44	39	57	49	43	38	47	42	38	
5	54	45	38	33	53	44	38	33	42	37	32	
6	50	40	33	29	48	39	33	29	38	32	28	
7	46	36	30	25	45	36	29	25	34	29	25	
8	43	33	27	22	42	32	26	22	31	26	22	
9	40	30	24	20	39	30	24	20	29	24	20	
10	37	28	22	18	36	27	22	18	27	21	18	

Based on floor reflectance of 20

LUMINANCE DATA (CD/M²)

Vertical Angle	Horizontal Angles		
	0	45	90
45	2552	2520	2662
55	2390	2276	2436
65	2093	1905	2001
75	1617	1337	1379
85	802	539	601

i All IES files are available for download at: www.axislighting.com