

Project \_\_\_\_\_

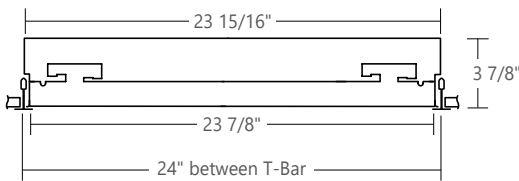
Type \_\_\_\_\_

Notes \_\_\_\_\_

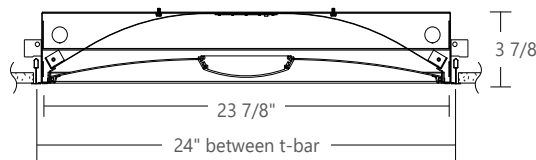
**PERFORMANCE AT 4000K**

NOMINAL LUMEN OUTPUT	INPUT WATTS*	EFFICACY
2500 lm	21.40 W	117 lm/W
3000 lm	26.23 W	115 lm/W
4000 lm	37.41 W	107 lm/W
4400 lm	40.18 W	110 lm/W

\* Based on a 2'x2' luminaire using one driver  
Please consult factory for custom lumen output and wattage.



SIDE VIEW



SECTION VIEW



\*Check the latest update on the DLC website for complete information. Not all versions may be DLC qualified. See page 2 for DLC Approved options



cULus Listed Type I.C.



CONTROL SENSORS

**Ordering Guide**

PRODUCT ID	SIZE	NOMINAL LUMENS	CRI	COLOR TEMP.	SHIELDING	FINISH
<b>DAYFLED</b> DAY flat LED	22 2'X2'	<b>2500</b> 2500 lm - Minimum	<b>80</b> 80 CRI	<b>27</b> 2700 K	<b>SO</b> spotless lens	<b>W</b> white
<b>DAYCLED</b> DAY curve LED		<b>4400</b> 4400 lm - Maximum	<b>90</b> 90 CRI	<b>30</b> 3000 K <b>35</b> 3500 K <b>40</b> 4000 K		<b>C</b> custom
		Outputs between listed min and max are available. Consult factory for outputs outside of the listed range.		<a href="#">Consult Axitune spec sheet for Axis color technology options</a>		

VOLTAGE	DRIVER	CIRCUITS	MOUNTING	BATTERY (OPTIONAL)
<b>120</b> 120 V	<b>DP</b> dimming (0-10V) 1% <b>LT</b> Lutron <sup>(1)</sup> <b>BI</b> bi-level dimming <b>O</b> other <sup>(2)</sup>	<b>1</b> 1 circuit <b>+E(#)</b> emergency circuit <sup>(3)</sup> <b>+NL(#)</b> night light circuit <sup>(3)</sup> <b>+GTD(#)</b> generator transfer device <sup>(3)</sup>	<b>TB9</b> t-bar 9/16"	<b>B#</b> battery Pack  Please consult factory Not available with 347V
<b>277</b> 277 V			<b>TB15</b> t-bar 15/16"	
<b>347</b> 347 V			<b>ST</b> screw slot t-bar	
<b>UNV</b> universal			<b>TG9</b> tegular 9/16" <b>TG15</b> tegular 15/16" <b>DF</b> drywall flange	
(1) Specify system (2) Please consult factory <a href="#">Consult Axitune spec sheet for Axis color driver options</a>		(3) Specify quantity		

OTHER (OPTIONAL)	IC CONTROLS (OPTIONAL)	CUSTOM (OPTIONAL)
<b>F</b> fuse <sup>(4)</sup> <b>FW(#)</b> flex whip (6' std) <b>AR</b> air return <b>CP</b> Chicago plenum	<b>DS#</b> daylight sensor <b>OS#</b> occupancy sensor <b>DOS#</b> daylight & occupancy sensor <b>EN#</b> Enlighted integral <sup>(5)</sup> <b>ENR#</b> Enlighted remote <sup>(5)</sup> <b>WC#</b> wireless control dimming	<b>C</b> custom
(4) Requires 120V or 277V	(5) Please consult factory Specify quantity. Requires 1.5" blank. See integrated controls guide for more details.	Please specify

**SPECIFY DRIVER NAME (if needed)**

**SPECIFY BATTERY NAME (if needed)**

● SPECIFICATIONS

<b>Housing</b>	Die formed cold rolled sheet steel (20 gauge)
<b>Central Lens Housing</b>	Extruded aluminum (0.060" nominal)
<b>Lens</b>	Spotless acrylic lens
<b>Side lens</b>	0.08" PMMA satin blend
<b>Reflectors</b>	Die formed cold rolled sheet steel (22 gauge)
<b>Interior Brackets</b>	Die formed cold rolled sheet steel (20 gauge)
<b>Drywall Flange Kit</b>	Extruded aluminum (0.060" nominal)

● FINISH

Highly reflective, matte powder coat white paint for high efficiency. Matte texture to diffuse glare and lamp image on the surface within the optical chamber exterior. Custom finishes are also available.

● WARRANTY

Axis Lighting will warrant defective LEDs, boards, and drivers for 5 years from date of purchase. Warranty is valid if luminaire is installed and used according to specifications. If defective, Axis will send replacement boards or drivers at no cost along with detailed replacement instructions and instructions on how to return defective components to Axis.

● WEIGHT

<b>Standard</b>	19 lbs / 8.6 kg
<b>Drywall with Kit</b>	21 lbs / 9.6 kg

● DLC Approved Options



\*Check the latest update on the DLC website for complete information. Not all versions may be DLC qualified.

PRODUCT ID	SIZE	OUTPUT	CRI	LUMENS	SHIELDING	FINISH	VOLTAGE	DRIVER	CIRCUITS
DAYFLED	2'X2'	2500 lm	80	3000 K	VL	white	universal	DP	1
DAYCLED		3000 lm		3500 K					
		4000 lm		4000 K					
		4400 lm							

● ELECTRICAL

<b>Lutron driver*</b>	LDE1 - EcoSystem H-Series (1%) LDE5 - EcoSystem 5-Series (5%) LTE - Hi-Lume® A-series 2Wires Forward Phase (1% *Consult factory
<b>Other drivers</b>	DALI - Digital Addressable Lighting Interface DMX - Digital Multiplex LV - line voltage - Advance Mark 10 Xitanium SR - For wireless sensor POE (Power over Ethernet) - Low Voltage Lighting Sy.
<b>Emergency</b>	Integral emergency battery pack or emergency circuit optional.
<b>Input Voltage</b>	120V, 277V, 347V, UNV.
<b>Flex Whip</b>	Shipped in a separate box for contractors to install
<b>i</b>	Incorporating these components may have limitations or affect the length of the luminaire. Please contact factory for more details.

● APPROVALS

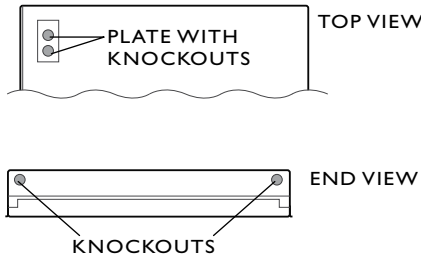
Certified to UL and CSA standards   
Chicago Plenum Certified (CCEA)  
Meets NYC requirements  
Suitable for damp locations.  
IC Rated (Insulated ceiling)

● LED SYSTEM

<b>CRI</b>	Minimum 80 or 90 color rendering index
<b>CCT</b>	Choice of 2700K, 3000K, 3500K and 4000K color temperature with a great color consistency (within 3.5-step MacAdam ellipse).
<b>LED life</b>	Minimum 50,000h with 70% of lumen maintenance in 25°C ambient temperature, in compliance with IES LM-80 testing measurements.
<b>Thermal management</b>	Aluminium housing acting as the heat sink to maximize life.

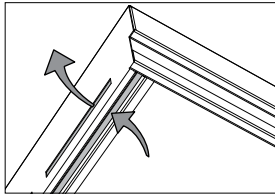
● STANDARD AND END MOUNT POWER FEED

Knockouts for BX cable connection are provided both on the top and on the ends of the luminaire. This allows for an end mount power feed solution if it is required.



(BX CABLE BY OTHER)

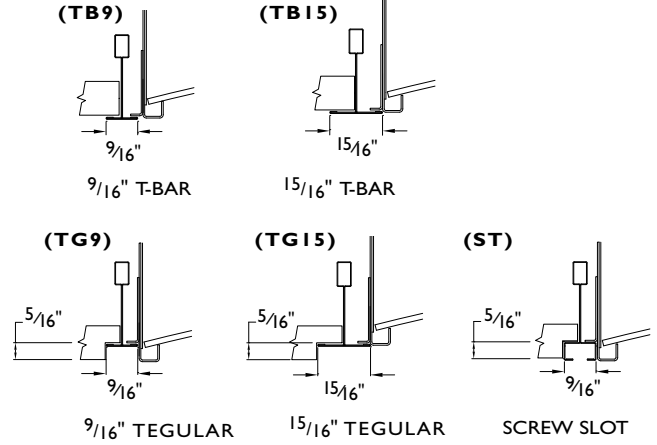
● AIR RETURN



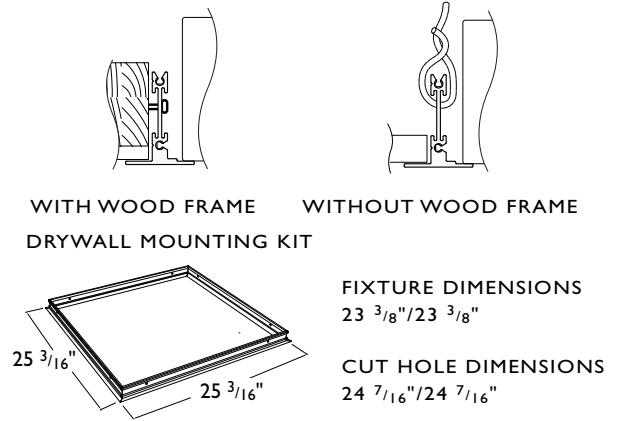
The air return (AR) option consists of discrete slots along the sides of the luminaire. These slots allow air to exhaust into the plenum and eliminate the need for unsightly air return grilles, and create a clean and well organized ceiling.

● CEILING SYSTEM

T-BAR STYLE MOUNTING



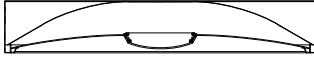
DRYWALL WITH FLANGE KIT (DF)



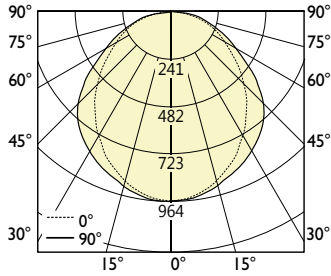
**i** Installation sheets for all mounting options are available at: [www.axislighting.com](http://www.axislighting.com)

● PHOTOMETRIC DATA

LED



PHOTOMETRIC CURVE



**Luminaire Lumens: 2500 lm**  
**Input Watts: 21.40 W**  
**Efficacy: 117 lm/W**  
 IES FILE: DAYLED-22-2500-80-40-SO.ies  
 TESTED ACCORDING TO IES LM-79-2008

CANDELA DISTRIBUTION

Vertical Angle	Horizontal Angles					Zonal Lumens
	0	22.5	45	67.5	90	
0	963	963	963	963	963	1
10	937	939	942	947	949	45
20	859	863	875	889	897	82
30	744	753	784	819	835	108
40	609	628	675	718	738	119
50	466	489	534	570	588	111
60	324	340	368	387	399	86
70	188	194	203	208	213	52
80	72	71	69	65	62	18
90	0	0	0	0	0	0

LUMINANCE DATA (cd/m<sup>2</sup>)

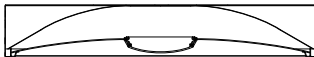
Vertical Angle	Horizontal Angles		
	0	45	90
45	2512	2840	3129
55	2267	2603	2850
65	1980	2208	2358
75	1605	1675	1698
85	1002	829	656

COEFFICIENTS OF UTILIZATION (%)

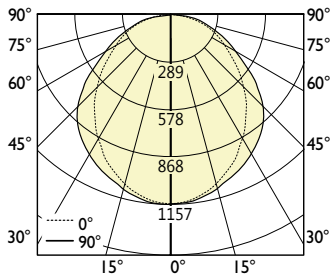
Ceiling	80				70				50			
	70	50	30	10	70	50	30	10	50	30	10	
Wall	70	50	30	10	70	50	30	10	50	30	10	
0	119	119	119	119	117	117	117	117	111	111	111	
1	110	105	101	96	107	103	99	94	99	96	92	
2	100	92	86	78	98	90	84	77	87	82	75	
3	92	81	73	64	89	80	72	64	77	71	63	
4	84	72	64	54	82	71	63	54	68	62	54	
5	77	65	56	47	75	64	55	47	61	54	46	
6	71	58	50	41	70	57	49	41	56	48	40	
7	66	53	44	36	65	52	44	36	51	43	36	
8	62	48	40	32	60	48	40	32	46	39	32	
9	58	44	36	29	56	44	36	29	43	36	29	
10	54	41	33	26	53	41	33	26	40	33	26	

Based on floor reflectance of 20

LED



PHOTOMETRIC CURVE



**Luminaire Lumens: 3000 lm**  
**Input Watts: 26.23 W**  
**Efficacy: 115 lm/W**  
 IES FILE: DAYLED-22-3000-80-40-SO.ies  
 TESTED ACCORDING TO IES LM-79-2008

CANDELA DISTRIBUTION

Vertical Angle	Horizontal Angles					Zonal Lumens
	0	22.5	45	67.5	90	
0	1156	1156	1156	1156	1156	2
10	1124	1126	1131	1136	1138	54
20	1031	1035	1050	1067	1076	99
30	893	904	941	983	1001	129
40	731	753	810	861	885	142
50	559	587	640	684	706	134
60	389	408	441	464	478	104
70	225	233	244	250	256	62
80	86	85	83	78	74	22
90	0	0	0	0	0	0

LUMINANCE DATA (cd/m<sup>2</sup>)

Vertical Angle	Horizontal Angles		
	0	45	90
45	3014	3408	3755
55	2721	3124	3420
65	2376	2650	2829
75	1926	2010	2038
85	1202	995	788

COEFFICIENTS OF UTILIZATION (%)

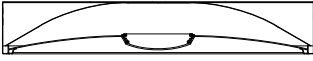
Ceiling	80				70				50			
	70	50	30	10	70	50	30	10	50	30	10	
Wall	70	50	30	10	70	50	30	10	50	30	10	
0	119	119	119	119	117	117	117	117	111	111	111	
1	110	105	101	96	107	103	99	94	99	96	92	
2	100	92	86	78	98	90	84	77	87	82	75	
3	92	81	73	64	89	80	72	64	77	71	63	
4	84	72	64	54	82	71	63	54	68	62	54	
5	77	65	56	47	75	64	55	47	61	54	46	
6	71	58	50	41	70	57	49	41	56	48	40	
7	66	53	44	36	65	52	44	36	51	43	36	
8	62	48	40	32	60	48	40	32	46	39	32	
9	58	44	36	29	56	44	36	29	43	36	29	
10	54	41	33	26	53	41	33	26	40	33	26	

Based on floor reflectance of 20

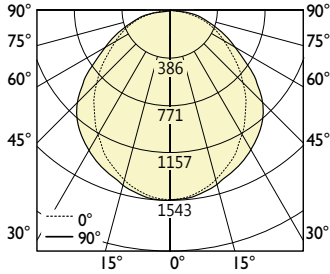
**i** All IES files are available for download at: [www.axislighting.com](http://www.axislighting.com)

● PHOTOMETRIC DATA

LED



PHOTOMETRIC CURVE



**Luminaire Lumens: 4000 lm**  
**Input Watts: 37.41 W**  
**Efficacy: 107 lm/W**  
 IES FILE: DAYLED-22-4000-80-40-SO.ies  
 TESTED ACCORDING TO IES LM-79-2008

CANDELA DISTRIBUTION

Vertical Angle	Horizontal Angles					Zonal Lumens
	0	22.5	45	67.5	90	
0	1541	1541	1541	1541	1541	2
10	1499	1502	1507	1515	1518	72
20	1375	1381	1399	1423	1435	131
30	1191	1205	1255	1310	1335	173
40	975	1004	1080	1148	1181	190
50	746	782	854	912	941	178
60	518	544	588	619	638	138
70	301	311	325	333	341	83
80	115	114	111	104	99	29
90	0	0	0	0	0	0

LUMINANCE DATA (cd/m<sup>2</sup>)

Vertical Angle	Horizontal Angles		
	0	45	90
45	4019	4544	5007
55	3628	4165	4560
65	3169	3533	3773
75	2568	2680	2717
85	1603	1326	1050

COEFFICIENTS OF UTILIZATION (%)

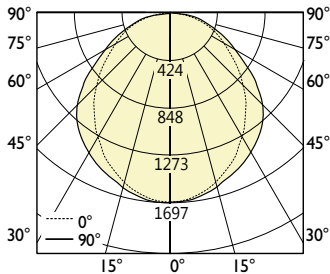
Ceiling	80				70				50			
	70	50	30	10	70	50	30	10	50	30	10	
Wall	70	50	30	10	70	50	30	10	50	30	10	
0	119	119	119	119	117	117	117	117	111	111	111	
1	110	105	101	96	107	103	99	94	99	96	92	
2	100	92	86	78	98	90	84	77	87	82	75	
3	92	81	73	64	89	80	72	64	77	71	63	
4	84	72	64	54	82	71	63	54	68	62	54	
5	77	65	56	47	75	64	55	47	61	54	46	
6	71	58	50	41	70	57	49	41	56	48	40	
7	66	53	44	36	65	52	44	36	51	43	36	
8	62	48	40	32	60	48	40	32	46	39	32	
9	58	44	36	29	56	44	36	29	43	36	29	
10	54	41	33	26	53	41	33	26	40	33	26	

Based on floor reflectance of 20

LED



PHOTOMETRIC CURVE



**Luminaire Lumens: 4400 lm**  
**Input Watts: 40.18 W**  
**Efficacy: 110 lm/W**  
 IES FILE: DAYLED-22-4400-80-40-SO.ies  
 TESTED ACCORDING TO IES LM-79-2008

CANDELA DISTRIBUTION

Vertical Angle	Horizontal Angles					Zonal Lumens
	0	22.5	45	67.5	90	
0	1695	1695	1695	1695	1695	3
10	1649	1652	1658	1666	1669	79
20	1512	1519	1539	1565	1578	145
30	1310	1326	1381	1442	1469	190
40	1072	1104	1188	1263	1299	209
50	820	860	939	1003	1035	196
60	570	599	647	681	702	152
70	331	342	358	366	376	91
80	127	125	122	114	109	32
90	0	0	0	0	0	0

LUMINANCE DATA (cd/m<sup>2</sup>)

Vertical Angle	Horizontal Angles		
	0	45	90
45	4421	4998	5508
55	3991	4582	5016
65	3485	3887	4150
75	2825	2948	2989
85	1763	1459	1155

COEFFICIENTS OF UTILIZATION (%)

Ceiling	80				70				50			
	70	50	30	10	70	50	30	10	50	30	10	
Wall	70	50	30	10	70	50	30	10	50	30	10	
0	119	119	119	119	117	117	117	117	111	111	111	
1	110	105	101	96	107	103	99	94	99	96	92	
2	100	92	86	78	98	90	84	77	87	82	75	
3	92	81	73	64	89	80	72	64	77	71	63	
4	84	72	64	54	82	71	63	54	68	62	54	
5	77	65	56	47	75	64	55	47	61	54	46	
6	71	58	50	41	70	57	49	41	56	48	40	
7	66	53	44	36	65	52	44	36	51	43	36	
8	62	48	40	32	60	48	40	32	46	39	32	
9	58	44	36	29	56	44	36	29	43	36	29	
10	54	41	33	26	53	41	33	26	40	33	26	

Based on floor reflectance of 20

**i** All IES files are available for download at: [www.axislighting.com](http://www.axislighting.com)