



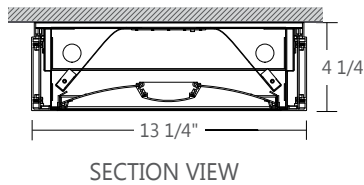
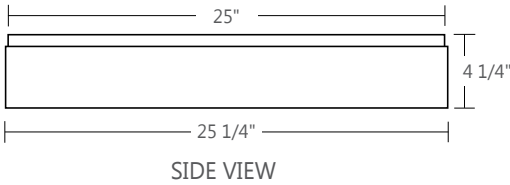
Project \_\_\_\_\_

Type \_\_\_\_\_

Notes \_\_\_\_\_

**PERFORMANCE AT 4000K**

NOMINAL LUMEN OUTPUT	INPUT WATTS*	EFFICACY
Please consult factory		



**Ordering Guide**

PRODUCT ID	SIZE	NOMINAL LUMENS	CRI	COLOR TEMP.	SHIELDING	FINISH
<b>DAYFLED</b> DAY flat LED	<b>12</b> 1'X2'	<b>2000</b> 2000 lm - Minimum	<b>80</b> 80 CRI	<b>27</b> 2700 K	<b>SO</b> spotless lens	<b>W</b> white
<b>DAYCLED</b> DAY curve LED		<b>3900</b> 3900 lm - Maximum	<b>90</b> 90 CRI	<b>30</b> 3000 K <b>35</b> 3500 K <b>40</b> 4000 K		<b>BLK</b> black <b>C</b> custom

Outputs between listed min and max are available. Consult factory for outputs outside of the listed range.

VOLTAGE	DRIVER	CIRCUITS	MOUNTING/SUSPENSION	BATTERY (OPTIONAL)
<b>120</b> 120 V <b>277</b> 277 V <b>347</b> 347 V <b>UNV</b> universal	<b>DP</b> dimming (0-10V) 1% <b>LT</b> Lutron <sup>(1)</sup> <b>BI</b> bi-level dimming <b>O</b> other <sup>(2)</sup>	<b>1</b> 1 circuit <b>+E(#)</b> emergency circuit <sup>(3)</sup> <b>+NL(#)</b> night light circuit <sup>(3)</sup> <b>+GTD(#)</b> generator transfer device <sup>(3)</sup>	<b>SM</b> surface mount	<b>B#</b> Remote Battery Pack only <sup>(4)</sup>

(1) Specify system  
(2) Please consult factory  
(3) Specify quantity  
(4) Remote battery pack only Not available with 347V Please consult factory

OTHER (OPTIONAL)	IC CONTROLS (OPTIONAL)	CUSTOM (OPTIONAL)
<b>F</b> fuse <sup>(5)</sup> <b>FW(#)</b> flex whip (6' std)	<b>DS#</b> daylight sensor <b>OS#</b> occupancy sensor <b>DOS#</b> daylight & occupancy sensor <b>EN#</b> Enlighted integral <sup>(6)</sup> <b>ENR#</b> Enlighted remote <sup>(6)</sup> <b>WC#</b> wireless control dimming	<b>C</b> custom

(5) Requires 120V or 277V  
(6) Please consult factory Specify quantity. Requires 1.5" blank. See integrated controls guide for more details.  
Please specify

**SPECIFY DRIVER NAME (if needed)**

\_\_\_\_\_

**SPECIFY BATTERY NAME (if needed)**

\_\_\_\_\_

● SPECIFICATIONS

<b>Housing</b>	Die formed cold rolled sheet steel (20 gauge)
<b>Central Lens Housing</b>	Extruded aluminum (0.060" nominal)
<b>Lens</b>	Spotless clear acrylic lens
<b>Side lens</b>	0.08" PMMA satin blend
<b>Reflectors</b>	Die formed cold rolled sheet steel (22 gauge)
<b>Interior Brackets</b>	Die formed cold rolled sheet steel (20 gauge)
<b>Surface Mount Kit</b>	Extruded aluminum (0.070" nominal)

● ELECTRICAL

**Lutron driver\*** LDE1 - EcoSystem H-Series (1%)  
 LDE5 - EcoSystem 5-Series (5%)  
 LTE - Hi-Lume® A-series 2Wires Forward Phase (1%)  
 \*Consult factory

**Other drivers** DALI - Digital Addressable Lighting Interface  
 DMX - Digital Multiplex  
 LV - line voltage - Advance Mark 10  
 Xitanium SR - For wireless sensor

**Emergency** Integral emergency battery pack or emergency circuit optional.

**Input Voltage** 120V, 277V, 347V, UNV.

**i** Incorporating these components may have limitations or affect the length of the luminaire. Please contact factory for more details.

● FINISH

Highly reflective, matte powder coat white paint for high efficiency. Matte texture to diffuse glare and lamp image on the surface within the optical chamber exterior. Custom finishes are also available.

● WARRANTY

Axis Lighting will warrant defective LEDs, boards, and drivers for 5 years from date of purchase. Warranty is valid if luminaire is installed and used according to specifications. If defective, Axis will send replacement boards or drivers at no cost along with detailed replacement instructions and instructions on how to return defective components to Axis.

● APPROVALS

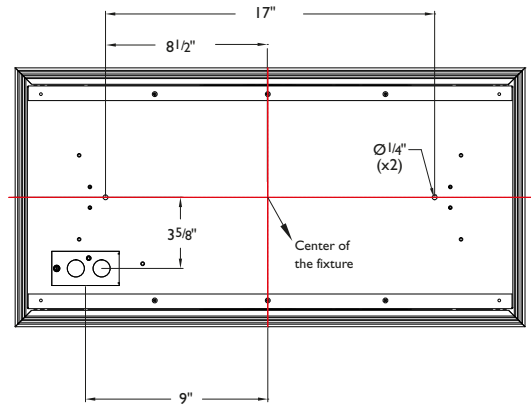
Certified to UL and CSA standards   
 Meets NYC requirements  
 Suitable for damp locations.

● WEIGHT

**Surface Mount** 16 lbs / 7.3 kg

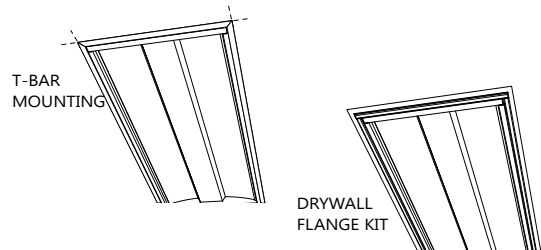
● CEILING SYSTEM

MOUNTING HOLES POSITION



RECESSED OPTION

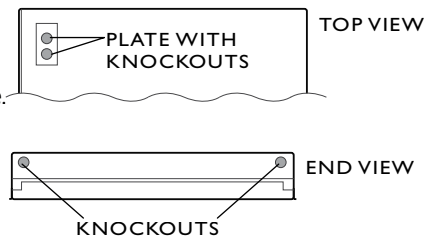
For more details see recessed specification sheets available at: [www.axislighting.com](http://www.axislighting.com)



**i** Installation sheets for all mountings options are available at: [www.axislighting.com](http://www.axislighting.com)

● STANDARD AND END MOUNT POWER FEED

Knockouts for BX cable connection are provided both on the top and on the ends of the luminaire. This allows for an end mount power feed solution if it is required.



(BX CABLE BY OTHERS)

● LED SYSTEM

<b>CRI</b>	Minimum 80 or 90 color rendering index
<b>CCT</b>	Choice of 2700K, 3000K, 3500K and 4000K color temperature with a great color consistency (within 3.5-step MacAdam ellipse).
<b>LED life</b>	Minimum 50,000h with 70% of lumen maintenance in 25°C ambient temperature, in compliance with IES LM-80 testing measurements.
<b>Thermal management</b>	Aluminium housing acting as the heat sink to maximize life.