

PROJECT INFORMATION

Project:

Notes:

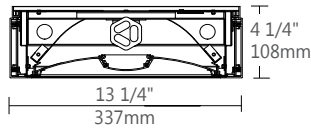
Type:

Approved by:

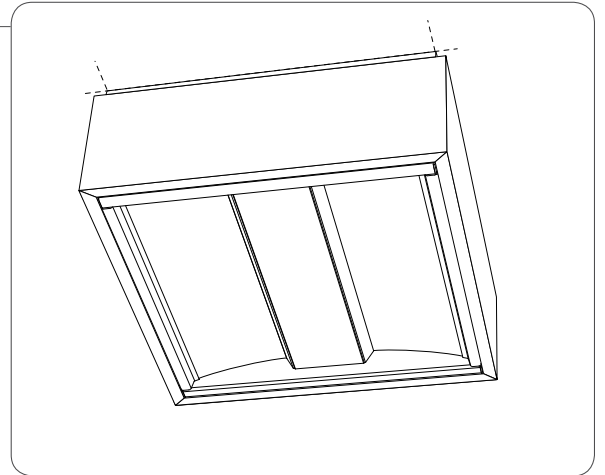
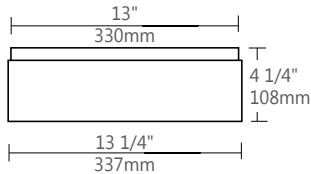
Date:

DIMENSIONS

SECTION VIEW



SIDE VIEW



ORDERING CODE

1	2	3	4	5	6	7	8	9	10	11	12	13	14
---	---	---	---	---	---	---	---	---	----	----	----	----	----

PRODUCT SPECIFICATIONS

1	PRODUCT ID	2	SIZE	3	CENTER OPTIC	4	LAMP	5	LAMP CONFIGURATION	6	FINISH
DAYF	flat	11	1'X1'	S	satin lens	F18TT	TT18W (2G11)	1	1 lamp ⁽²⁾	AM	antimicrobial
DAYC	curved			SB	baffle ⁽¹⁾	CFTR18	CFTR18	2	2 lamps	W	white
						CFTR26	CFTR26			BLK	black
										C	custom
					(1) With frosted lens				(2) Not available for CFTR18 & 26		

7	VOLTAGE	8	BALLAST	9	CIRCUITS	10	MOUNTING/SUSPENSION	11	BATTERY (OPTIONAL)
120	120V	D	dimming	1	1 regular	SM	surface mount	B#	remote battery pack only
277	277V	E	instant start ⁽⁴⁾	2	2 regular				
347	347V ⁽³⁾	ERS	program start	2A/B	2 alternating				
UNV	universal	BI	bi-level dimming	+E(#)	emergency section				
		+M	master	+NL(#)	night light section				
		+S	satelite	+GTD(#)	generator transfer device				
	(3) Please consult factory		(4) Available with T8 lamp only						

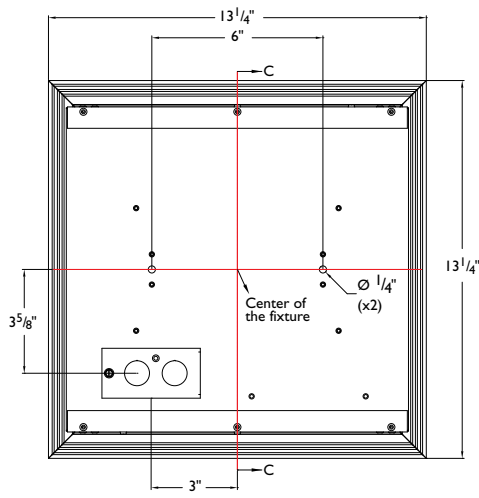
12	OTHER (OPTIONAL)	13	IC CONTROLS (OPTIONAL)	14	CUSTOM (OPTIONAL)
F	fuse	DS#	daylight sensor	C	custom
FW(#)	flex whip (6' std)	OS#	occupancy sensor		
		DS+OS#	daylight+occupancy sensor		
		DOS#	daylight&occupancy sensor		
			See integrated controls guide for further details		Please specify

SPECIFY BALLAST NAME (if needed)

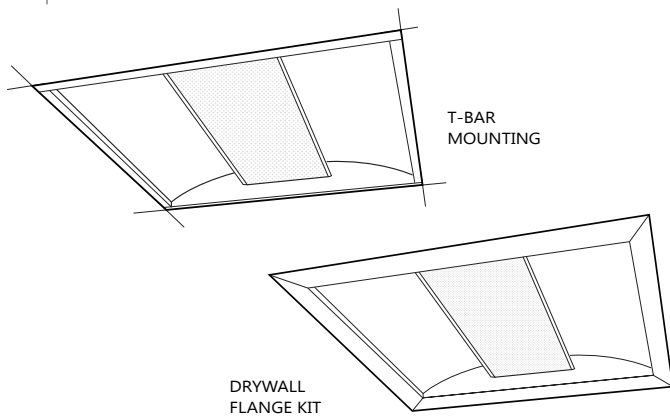
SPECIFY BATTERY NAME (if needed)

● CEILING SYSTEM

SURFACE HOLES POSITION



RECESSED OPTION



i Installation sheets for all mounting options are available at: www.axislighting.com

● CONSTRUCTION

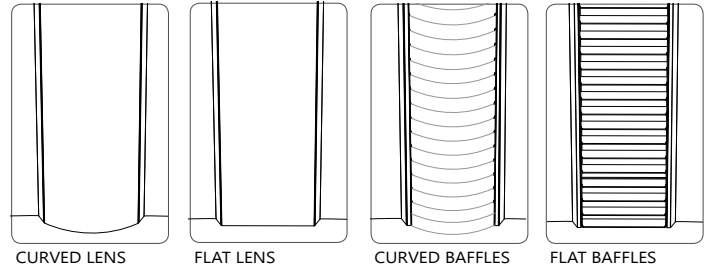
Housing	Die formed cold rolled sheet steel (20 gauge)
Central Lens Housing	Extruded aluminum (0.060" nominal)
Reflectors	Die formed cold rolled sheet steel (22 gauge)
Interior Brackets	Die formed cold rolled sheet steel (20 gauge)
Surface Mount Kit	Extruded aluminum (0.070" nominal)

● WEIGHT

Surface mount	11 lbs / 5.0 kg
----------------------	-----------------

● OPTICAL SYSTEM

Central Lens: Satin	PMMA, satin blend (0.9" nominal)
Central Lens Baffles	Die formed aluminum (22 gauge) powder painted white
Side Lenses: Satin	Acrylic, satin blend (0.08" nominal)




All DAY luminaires are available with a choice of center lens or baffle and with a curved or flat detail for the center optical element.

● ELECTRICAL

Ballast	Electronic IS, Electronic Rapid Start, Dimming (0-10V, Line, EcoSystem, DALI), BI-level dimming With preinstalled ballast disconnect as per NEC & CEC
Emergency	Emergency battery pack or emergency circuit
Voltage	120V, 277V, 347V, UNV

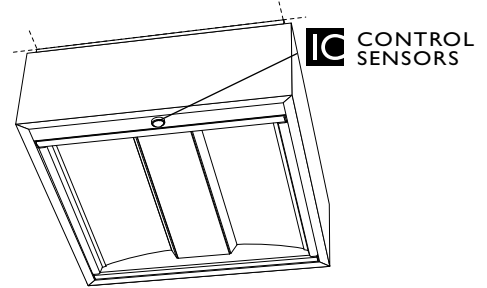
● APPROVALS

Certified to UL and CUL standards 
 Meets NYC requirements
 Suitable for damp locations.

● INTEGRATED CONTROL OPTIONS

DAY luminaires allow the use of integrated controls such as daylight sensors (DS), occupancy sensors (OS), individual daylight sensors and occupancy sensors (DS+OS), and combination daylight/occupancy sensors (DOS). These options can be seamlessly integrated into our luminaires. The control system could be used to optimize the lighting of the space by reducing energy consumption through daylight harvesting and occupancy, thereby improving the overall interior environment and allowing for LEED credits.

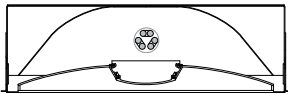
- Consult factory for other options.
- Refer to IC brochure for more information.



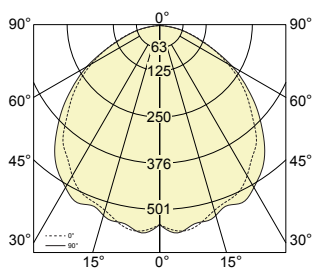
SENSORS	BRAND	Model	TYPE	CODE	COMPATIBLE DIMMING BALLAST
Daylight Sensor (DS)	Lutron	EC-DIR-WH	Daylight	LD	EcoSystem
	Wattstopper	FD-301	Daylight	WD	0-10V
	Philips	Luxsense	Daylight	PL	0-10V
Occupancy Sensor (OS)	Wattstopper	FS-205	PIR Occupancy	WP1	Programmed Rapid Start
		FS-355	PIR Occupancy	WP2	Programmed Rapid Start
		FS-155	PIR Occupancy	WP3	Programmed Rapid Start
		FS-505	Ultrasonic Occupancy	WU1	Programmed Rapid Start
		FS-505C	Ultrasonic Occupancy	WU2	Programmed Rapid Start
		FM-105	High Frequency Occupancy	WH	Programmed Rapid Start
Daylight & Occupancy Sensors (DOS)	Philips	Actilume	Daylight & PIR Occupancy	PA	DALI or 0-10V

● PHOTOMETRIC DATA

2 CFTR 18W



PHOTOMETRIC CURVE



Test Lamp: 2xCFTR18W
 IES FILE: DAY11-S-CFTR18W-2.ies

Efficiency: 64.8%

CANDELA DISTRIBUTION

Vertical Angle	Horizontal Angles					Zonal Lumens
	0	22.5	45	67.5	90	
0	539	539	539	539	539	
5	558	539	559	554	564	30
15	529	524	539	542	543	128
25	501	502	508	523	529	217
35	437	442	462	474	482	279
45	358	365	386	394	393	297
55	268	272	279	285	288	264
65	172	178	176	177	174	196
75	84	85	81	79	82	108
85	19	19	20	19	19	37
90	3	3	2	2	2	

LUMINANCE DATA (CD/M²)

Vertical Angle	Horizontal Angles		
	0	45	90
45	4066	3954	4429
55	3391	3091	3599
65	2528	2194	2527
75	1549	1194	1488
85	479	385	474

COEFFICIENTS OF UTILIZATION (%)

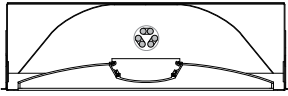
Ceiling	80												70												50											
	70	50	30	10	70	50	30	10	70	50	30	10	70	50	30	10																				
0	77	77	77	77	75	75	75	75	72	72	72	72	77	77	77	77	75	75	75	75	72	72	72	72												
1	71	68	65	63	69	66	64	62	64	62	64	62	71	68	65	63	69	66	64	62	64	62	64	62												
2	65	59	55	52	63	58	54	51	56	53	50	65	59	55	52	63	58	54	51	56	53	50	65	59	55	52										
3	59	52	47	43	57	51	47	43	49	45	42	59	52	47	43	57	51	47	43	49	45	42	59	52	47	43										
4	54	46	41	37	53	46	40	36	44	39	36	54	46	41	37	53	46	40	36	44	39	36	54	46	41	37										
5	50	42	36	32	48	41	35	31	39	35	31	50	42	36	32	48	41	35	31	39	35	31	50	42	36	32										
6	46	37	32	28	45	37	31	27	36	31	27	46	37	32	28	45	37	31	27	36	31	27	46	37	32	28										
7	43	34	28	24	42	33	28	24	32	28	24	43	34	28	24	42	33	28	24	32	28	24	43	34	28	24										
8	40	31	25	22	39	31	25	22	30	25	22	40	31	25	22	39	31	25	22	30	25	22	40	31	25	22										
9	37	28	23	20	36	28	23	19	27	23	19	37	28	23	20	36	28	23	19	27	23	19	37	28	23	20										
10	35	26	21	18	34	26	21	18	25	21	18	35	26	21	18	34	26	21	18	25	21	18	35	26	21	18										

Based on floor reflectance of 20

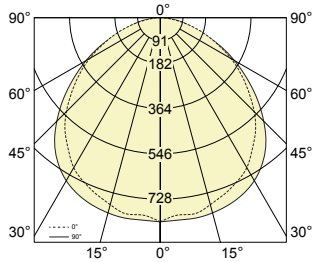
i All IES files are available for download at: www.axislighting.com

PHOTOMETRIC DATA

2 CFTR 26W



PHOTOMETRIC CURVE



Test Lamp: 2xCFTR26W
 IES FILE: DAY11-S-CFTR26W-2.ies

Efficiency: 63.8%

CANDELA DISTRIBUTION

Vertical Angle	Horizontal Angles					Zonal Lumens
	0	22.5	45	67.5	90	
0	819	819	819	819	819	
5	795	801	789	797	816	43
15	777	783	785	792	811	188
25	727	727	746	765	783	318
35	644	654	680	701	715	411
45	533	543	565	577	588	438
55	397	407	419	421	425	392
65	256	257	260	260	262	288
75	128	128	121	117	118	161
85	29	30	29	28	28	55
90	5	4	4	4	3	

COEFFICIENTS OF UTILIZATION (%)

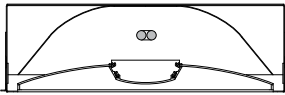
Ceiling	80				70				50			
	70	50	30	10	70	50	30	10	50	30	10	
Wall												
0	76	76	76	76	74	74	74	74	71	71	71	
1	70	67	64	62	68	65	63	61	63	61	59	
2	64	58	54	51	62	57	53	50	55	52	49	
3	58	51	46	42	56	50	46	42	49	44	41	
4	53	46	40	36	52	45	40	36	43	39	35	
5	49	41	35	31	48	40	35	31	39	34	30	
6	45	37	31	27	44	36	31	27	35	30	27	
7	42	33	28	24	41	33	28	24	32	27	24	
8	39	30	25	21	38	30	25	21	29	24	21	
9	36	28	23	19	35	27	22	19	27	22	19	
10	34	26	21	17	33	25	21	17	25	20	17	

Based on floor reflectance of 20

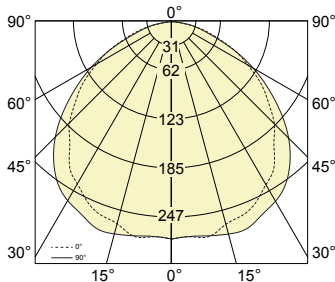
LUMINANCE DATA (CD/M²)

Vertical Angle	Horizontal Angles		
	0	45	90
45	6058	5777	6626
55	5016	4632	5320
65	3774	3236	3822
75	2355	1785	2131
85	729	537	693

1 F18TT



PHOTOMETRIC CURVE



Test Lamp: 1xF18TT
 IES FILE: DAY11-S-F18TT-1.ies

Efficiency: 66.7%

CANDELA DISTRIBUTION

Vertical Angle	Horizontal Angles					Zonal Lumens
	0	22.5	45	67.5	90	
0	274	274	274	274	274	
5	272	276	277	277	272	15
15	265	270	275	273	277	65
25	252	250	259	270	269	110
35	225	224	235	248	251	143
45	184	190	196	204	210	153
55	139	142	145	150	151	138
65	91	91	91	92	91	101
75	45	44	42	41	40	56
85	10	10	10	10	9	19
90	1	2	1	1	1	

COEFFICIENTS OF UTILIZATION (%)

Ceiling	80				70				50			
	70	50	30	10	70	50	30	10	50	30	10	
Wall												
0	80	80	80	80	78	78	78	78	74	74	74	
1	73	70	67	65	71	68	66	64	66	63	62	
2	66	61	57	53	65	60	56	52	58	54	51	
3	61	54	48	44	59	53	48	44	51	47	43	
4	56	48	42	38	54	47	41	37	45	40	37	
5	51	43	37	32	50	42	36	32	40	36	32	
6	47	38	32	28	46	38	32	28	37	32	28	
7	44	35	29	25	43	34	29	25	33	28	25	
8	41	32	26	22	40	31	26	22	30	25	22	
9	38	29	24	20	37	29	23	20	28	23	20	
10	36	27	22	18	35	26	21	18	26	21	18	

Based on floor reflectance of 20

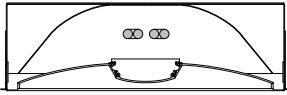
LUMINANCE DATA (CD/M²)

Vertical Angle	Horizontal Angles		
	0	45	90
45	2088	2007	2363
55	1760	1609	1892
65	1341	1135	1323
75	823	623	730
85	245	193	232

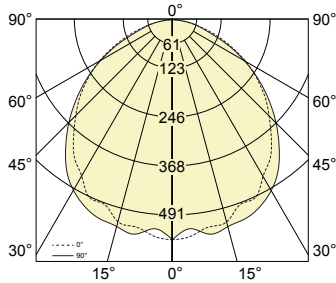
i All IES files are available for download at: www.axislighting.com

● PHOTOMETRIC DATA

2 F18TT



PHOTOMETRIC CURVE



Test Lamp: 2x F18TT
 IES FILE: DAY11-S-F18TT-2.ies

Efficiency: 62.3%

CANDELA DISTRIBUTION

Vertical Angle	Horizontal Angles					Zonal Lumens
	0	22.5	45	67.5	90	
0	552	552	552	552	552	
5	545	530	549	550	526	29
15	526	528	527	530	538	126
25	493	490	502	512	519	213
35	428	435	447	459	463	271
45	345	354	367	371	369	284
55	261	263	267	267	267	251
65	167	166	165	161	160	184
75	78	81	77	73	73	101
85	18	18	18	19	18	35
90	3	3	3	2	2	

LUMINANCE DATA (CD/M²)

Vertical Angle	Horizontal Angles		
	0	45	90
45	3913	3751	4165
55	3299	2955	3340
65	2455	2057	2333
75	1428	1142	1327
85	452	348	436

COEFFICIENTS OF UTILIZATION (%)

Ceiling	80			70			50				
	70	50	30	10	70	50	30	10	50	30	10
Wall											
0	74	74	74	74	73	73	73	73	69	69	69
1	68	65	63	61	67	64	62	60	61	59	58
2	62	57	53	50	61	56	52	49	54	51	48
3	57	51	46	42	55	50	45	41	48	44	41
4	52	45	40	35	51	44	39	35	43	38	35
5	48	40	35	31	47	39	34	30	38	34	30
6	44	36	31	27	43	36	30	27	35	30	26
7	41	33	27	24	40	32	27	24	31	27	23
8	38	30	25	21	37	30	25	21	29	24	21
9	36	28	22	19	35	27	22	19	26	22	19
10	34	25	21	17	33	25	20	17	24	20	17

Based on floor reflectance of 20

i All IES files are available for download at: www.axislighting.com