

Project _____

Type _____

Notes _____

PERFORMANCE/LINEAR FT AT 3000K AND 3500K

| NOMINAL LUMEN OUTPUT | INPUT WATTS* | EFFICACY* |
|----------------------|--------------|-----------|
| 700 lm/ft | 7.3 W/ft | 96 lm/W |
| 900 lm/ft | 9.8 W/ft | 92 lm/W |
| 1100 lm/ft | 12.5 W/ft | 88 lm/W |

REFER TO PHOTOMETRIC DATA SECTION FOR EXACT VALUES

*for 2700K use 0.94 multiplier on watts and efficacy

*for 4000K use 1.02 multiplier on watts and efficacy



Ordering Guide

| CCWH | SL | NOMINAL LUMENS/FT | | CRI | COLOR TEMP. |
|--|------------------------|--------------------------------|----------------------------------|--------------------------------------|--|
| PRODUCT ID | LIGHT ENGINE | | | | |
| CCWH Cove LED wall HI-output | SL surroundlite | 700 700 lm/ft - Minimum | 1100 1100 lm/ft - Maximum | 80 80 CRI 90 90 CRI | 27 2700 K 30 3000 K 35 3500 K 40 4000 K |
| Outputs between listed min and max are available. Consult factory for outputs outside of the listed range. | | | | | Consult Axitune spec sheet for Axis color technology options |

| COVE OPENING FT (MM) | FINISH | VOLTAGE | DRIVER | CIRCUITS |
|--|----------------|--|---|---|
| CL(#) Cove linear CP(#) Cove pattern | W white | 120 120 V 277 277 V 347 347 V UNV universal | DP dimming (0-10V) 1% LT Lutron ⁽¹⁾ BI bi-level dimming O other ⁽²⁾ | 1 1 circuit 2 2 circuits ⁽³⁾ +E(#) emergency section ⁽⁴⁾ +NL(#) night light section ⁽⁴⁾ |
| Please specify the indirect light Cove opening length. Please provide configuration drawings. Fixture optimization provided by factory; Cove minimum length is 2 ft. | | | (1) Specify system (2) Please consult factory; see page 4 Not available with 347V Please consult factory Consult Axitune spec sheet for Axis color driver options | (3) Cannot combine with E or NL (4) Specify quantity |

| MOUNTING/SUSPENSION | OTHER (OPTIONAL) | REMOTE CONTROLS (OPTIONAL) | CUSTOM (OPTIONAL) |
|--|---|--|-------------------|
| AC Armstrong Axiom Cove ⁽⁵⁾ C Other Cove | F fuse CP Chicago plenum | DS# daylight sensor OS# occupancy sensor DOS# daylight & occupancy sensor ENR# Enlighted remote ⁽⁶⁾ WC# wireless control dimming | C custom |
| (5) Ordered separately from Armstrong. | Not available with 347V | (6) Please consult factory Specify quantity. Remote only. See integrated controls guide for more details. | Please specify |

Cove Lighting Redefined



Few luminaires have been more in need of an upgrade than cove lights, long stifled by complicated details and inconsistent, time-consuming aiming.

So Armstrong and Axis joined forces to codevelop the best possible cove lighting solution from the ground up.

Introducing Axiom® Indirect Light Coves and CovePerfekt™... The new standard for cove lighting.

Up to twice the efficiency of other cove products.

Multiple features packed into only four luminaires.

Foolproof mounting. Aim-free lighting.

Cove lighting will never be the same...

For more information on Axiom® Indirect Light Coves, go to armstrong.com/axiomlightcoves

AESTHETICS

- No lamp images • No socket shadows
- No color shifting • No bright spots
- No dark ends • Just total visual comfort

PERFORMANCE

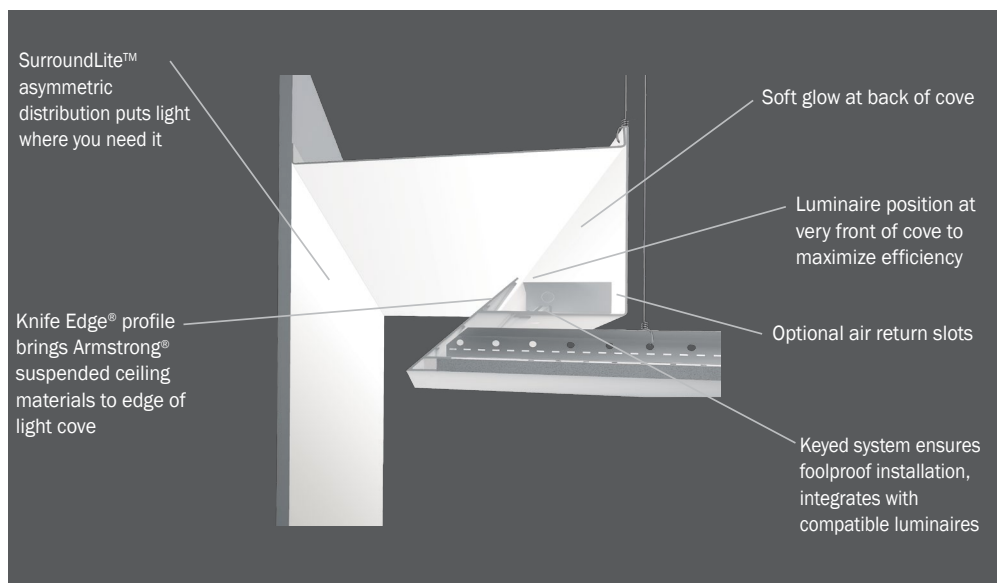
- SurroundLite™ optics with 180-degree distribution eliminates trapped light
- Improved LED lighting effectiveness – Same amount of ambient light using as little as half the watts.
- Integrated driver (Ceiling, Wall) and battery (Ceiling).

SPECIFICATION

- No need for complex cove details.
- No need to select beam angles, figure out cove dimensions and locate remote drivers.

INSTALLATION (in AXIOM® Light Coves).

- Tool-free installation of luminaires.
- Up to 90% less labor to install coves.
- Easy onsite trade coordination
- Long runs conveniently connected to a single line-voltage circuit (up to 100 feet)



**The ultimate cove lighting solution...
CovePerfekt in an Axiom® Indirect Light Cove**

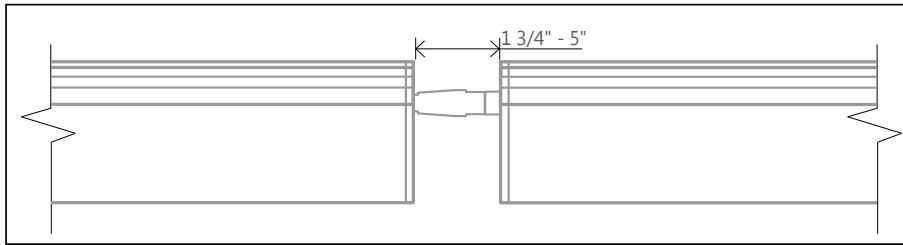
i Axiom® Indirect Light Coves ordered separately from Armstrong.

Indirect light Cove opening



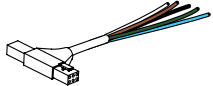

i Axis will determine the best fixture length combination to fill the Cove opening.

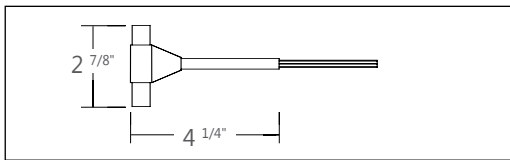
CABLE CONNECTION - LENGTH RANGE



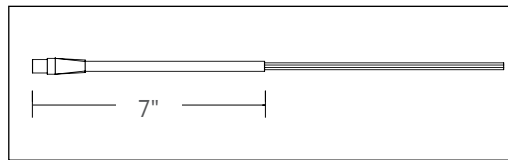
● ACCESSORIES

Straight or T power feeds available to feed power anywhere along run

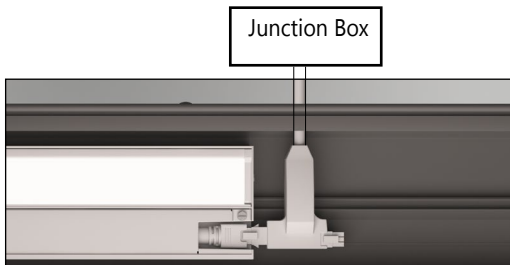
| Item Number | Item | Housing Color | Dimensions | Description | | |
|----------------|--------------------|---------------|-----------------|---|---|--|
| WR14443 | T-connector | White | 2 7/8" x 4 1/4" | End feed or middle feed connector from cove fixture to junction box located behind the cove |  | Feed up to 100' @ 120V 200' @ 277V |
| WR14434 | Straight connector | White | 7" (length) | End feed connector from cove fixture to junction box located on the left side of the cove |  | Feed up to 100' @ 120V 200' @ 277V |



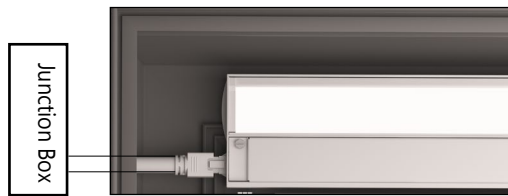
T-connector



Straight connector



T - End Power Feed



Straight End - Power Feed

i Connector types and locations to be indicated on the shop drawings.

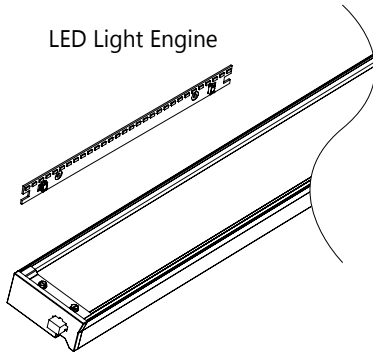
● LIGHT GUIDE

High precision light guide made of PMMA material, allows distribution of controlled light in all 3-dimensions to put light on both vertical and horizontal planes within the space. Patented lightguide design featuring molecular optics and precision-coupled optic components yield a high efficiency luminaire. In-plane mixing maximizes color uniformity while light emitting area is uniform and diffuse without 'head lighting' from the LED's.

● LED UPGRADE / REPLACEMENT

All LED light engines used are field replaceable and upgradable to ensure the lighting system will last for years. Future-proof design comes with easy access to LED light engines from above using quick connectors (included in luminaire) and a screwdriver.

- For more information on LED light engine upgrade and replacement, please refer to the COVE LED Light Engine Replacement sheet available at: www.axislighting.com under 'Downloads' tab.



● SYSTEMS (S#)

Runs of COVE that are greater than 12ft in length are designated as systems (S#). This means that the run is comprised of a combination 4ft and/or 8ft sections to be assembled on site using our joining system. For more information on systems and joining, please refer to the COVE installation sheets available at: www.axislighting.com under 'Downloads' tab.

● WEIGHT

| | |
|-------------------|-----------------|
| COVE 4 ft | 6 lbs / 2.7 kg |
| COVE 8 ft | 12 lbs / 5.4 kg |
| COVE 12 ft | 18 lbs / 8.2 kg |

● FINISH

White paint.

● APPROVALS

Certified to UL and CSA standards
Suitable for damp locations.



● LED SYSTEM

| | |
|---------------------------------------|---|
| CRI | Minimum 80 or 90 color rendering index |
| CCT | Choice of 2700K, 3000K, 3500K and 4000K color temperature with a great color consistency (within 3-step MacAdam ellipse). Both within fixture and fixture to fixture. |
| LED life | Minimum 50,000h with 85% of lumen maintenance in 25°C ambient temperature, in compliance with IES LM-80 testing measurements. |
| Thermal Management Environment | Aluminum housing acting as the heat spreader to maximize life. Dry and damp rated in operating ambient temperatures of 0-40°C (32-104F) |

● CONSTRUCTION

| | |
|-------------------|--|
| Housing | Extruded aluminum (0.060" nominal) |
| End Cap | Die cast aluminum (0.080" nominal) |
| Top Covers | Cold rolled sheet steel painted (22 gauge) |

● ELECTRICAL

| | |
|-----------------------|--|
| Lutron driver* | LDE1 - EcoSystem H-Series (1%) LDE5 - EcoSystem 5-Series (5%) LTE - Hi-Lume® A-series 2Wires Forward Phase (1%) <small>*Consult factory</small> |
| Other drivers | DALI - Digital Addressable Lighting Interface DMX - Digital Multiplex LV - line voltage - Advance Mark 10 Xitanium SR - For wireless sensor |
| Input Voltage | 120V, 277V, 347V, UNV. |

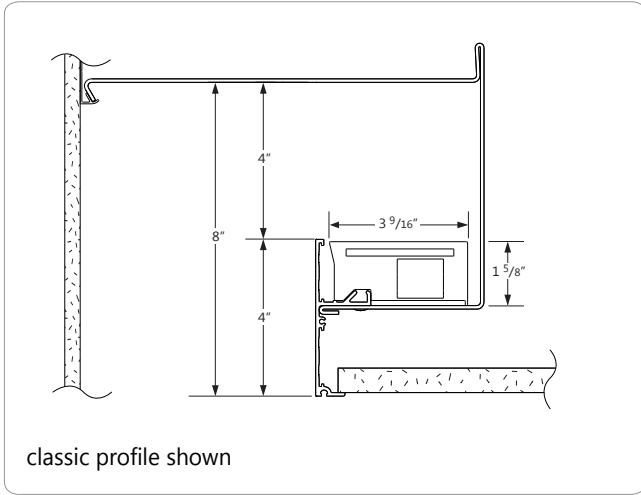
- Incorporating these components may have limitations or affect the length of the luminaire. Please contact factory for more details.

● WARRANTY

Axis Lighting will warrant defective LEDs, boards, and drivers for 5 years from date of purchase. Warranty is valid if luminaire is installed and used according to specifications. If defective, Axis will send replacement boards or drivers at no cost along with detailed replacement instructions and instructions on how to return defective components to Axis.

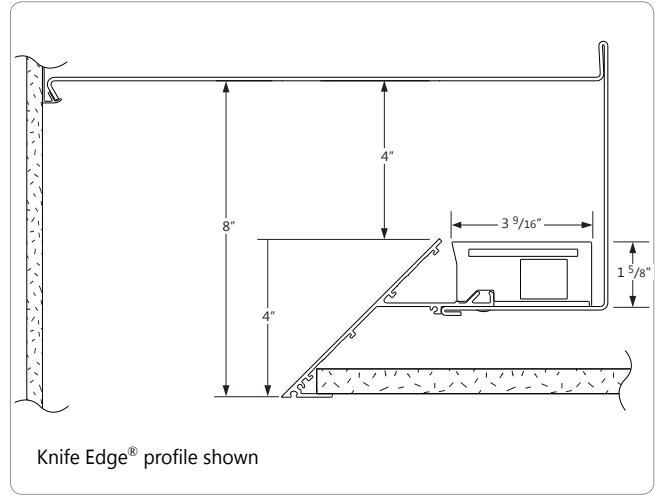
i Armstrong and other cove ceiling systems provided by others.

● CEILING MOUNTING OPTIONS



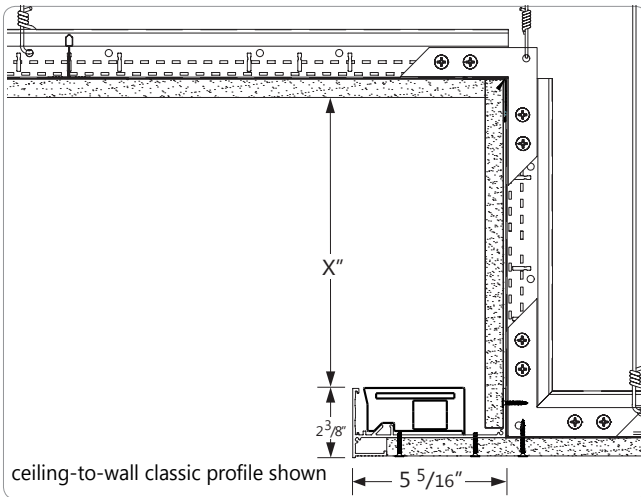
classic profile shown

AC ARMSTRONG AXIOM COVE



Knife Edge® profile shown

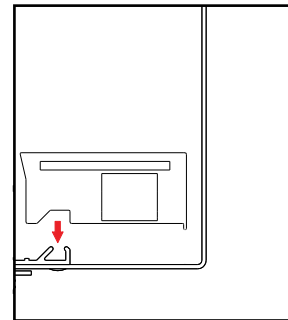
AC ARMSTRONG AXIOM COVE

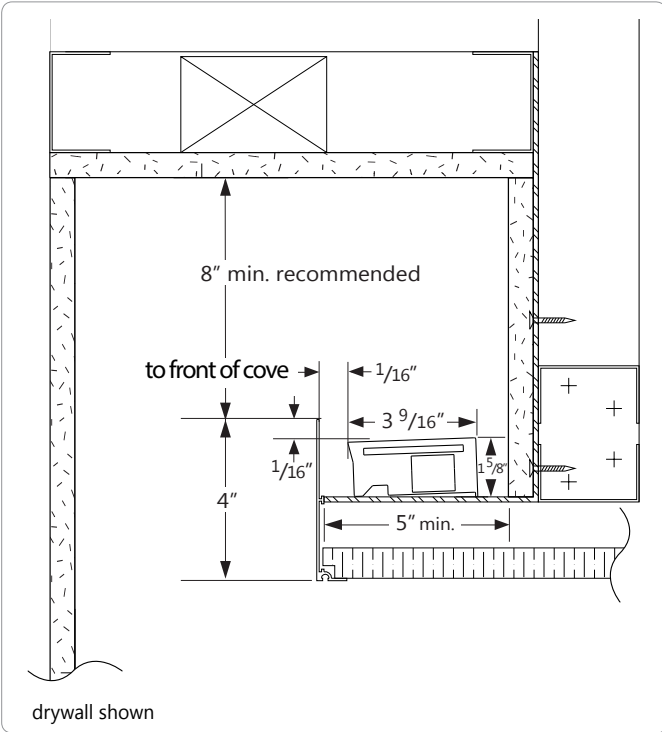


ceiling-to-wall classic profile shown

AC ARMSTRONG AXIOM INDIRECT LIGHT LEDGE

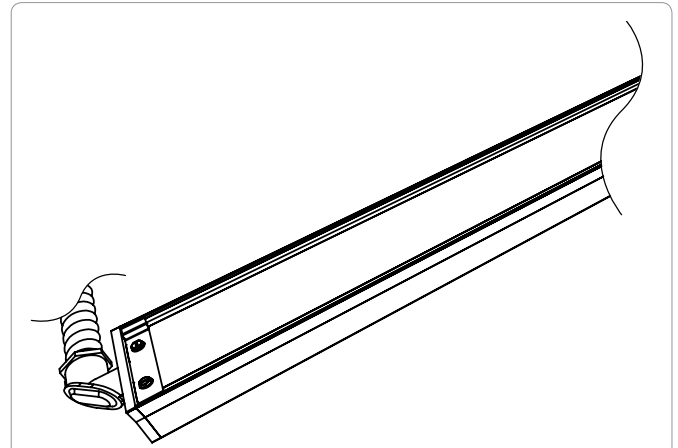
WITH ARMSTRONG CEILING





C OTHER COVE

● CHICAGO PLENUM OPTION



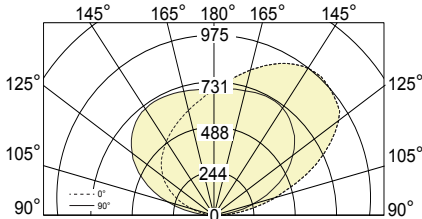
i Luminaires with Chicago plenum option are shipped with 6' of BX cable.

● PHOTOMETRIC DATA

NO SHIELDING (NO)

CCWH-SL-100/0-700-80-35-4-W
100% up at 700 lm/ft

PHOTOMETRIC CURVE



Lumen/ft up: 700 lm/ft
Total Lumens: 2800 lm (for 4ft)
Input Watts: 29.2 W
Efficacy: 96 lm/W

80 CRI shown. For 90 CRI, divide wattage by 0.8 and multiply efficacy by 0.8.
3500K shown. For 2700K, divide wattage by 0.94 and multiply efficacy by 0.94.
For 4000K, divide wattage by 1.02 and multiply efficacy by 1.02.

IES FILE: CCWH-SL-100-0-700-80-35-4-W.IES

TESTED ACCORDING TO IES LM-79-2008

CANDELA DISTRIBUTION

| Vertical Angle | Horizontal Angles | | | | | | | | |
|----------------|-------------------|------|-----|------|-----|-------|-----|-------|-----|
| | 0 | 22.5 | 45 | 67.5 | 90 | 112.5 | 135 | 157.5 | 180 |
| 90 | 0 | 0 | 0 | 0 | 0 | 0 | 0 | 0 | 0 |
| 95 | 10 | 41 | 44 | 57 | 81 | 76 | 87 | 97 | 104 |
| 105 | 128 | 178 | 192 | 225 | 283 | 324 | 331 | 345 | 360 |
| 115 | 268 | 302 | 328 | 382 | 464 | 515 | 584 | 638 | 658 |
| 125 | 369 | 390 | 423 | 493 | 591 | 660 | 739 | 852 | 888 |
| 135 | 437 | 448 | 485 | 564 | 669 | 747 | 835 | 926 | 961 |
| 145 | 489 | 500 | 536 | 608 | 705 | 786 | 865 | 940 | 967 |
| 155 | 539 | 545 | 576 | 633 | 705 | 775 | 837 | 889 | 905 |
| 165 | 587 | 593 | 614 | 650 | 694 | 736 | 776 | 804 | 812 |
| 175 | 646 | 650 | 655 | 669 | 686 | 697 | 711 | 720 | 719 |
| 180 | 683 | 683 | 683 | 683 | 683 | 683 | 683 | 683 | 683 |

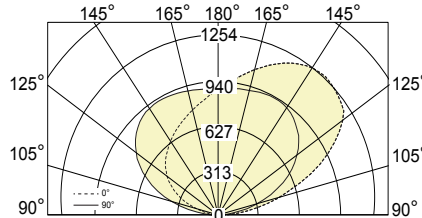
ZONAL LUMENS

| Zone | Lumens |
|---------|--------|
| 90 | |
| 90-100 | 61 |
| 100-110 | 250 |
| 110-120 | 428 |
| 120-130 | 517 |
| 130-140 | 511 |
| 140-150 | 441 |
| 150-160 | 329 |
| 160-170 | 198 |
| 170-180 | 66 |
| 180 | |

NO SHIELDING (NO)

CCWH-SL-100/0-900-80-35-4-W
100% up at 900 lm/ft

PHOTOMETRIC CURVE



Lumen/ft up: 900 lm/ft
Total Lumens: 3600 lm (for 4ft)
Input Watts: 39.1 W
Efficacy: 92 lm/W

80 CRI shown. For 90 CRI, divide wattage by 0.8 and multiply efficacy by 0.8.
3500K shown. For 2700K, divide wattage by 0.94 and multiply efficacy by 0.94.
For 4000K, divide wattage by 1.02 and multiply efficacy by 1.02.

IES FILE: CCWH-SL-100-0-900-80-35-4-W.IES

TESTED ACCORDING TO IES LM-79-2008

CANDELA DISTRIBUTION

| Vertical Angle | Horizontal Angles | | | | | | | | |
|----------------|-------------------|------|-----|------|-----|-------|------|-------|------|
| | 0 | 22.5 | 45 | 67.5 | 90 | 112.5 | 135 | 157.5 | 180 |
| 90 | 0 | 0 | 0 | 0 | 0 | 0 | 0 | 0 | 0 |
| 95 | 13 | 52 | 57 | 74 | 104 | 98 | 112 | 125 | 134 |
| 105 | 165 | 228 | 247 | 289 | 363 | 416 | 425 | 443 | 462 |
| 115 | 344 | 389 | 422 | 491 | 597 | 663 | 751 | 820 | 845 |
| 125 | 475 | 501 | 543 | 634 | 760 | 849 | 950 | 1096 | 1142 |
| 135 | 561 | 577 | 624 | 725 | 860 | 961 | 1073 | 1190 | 1236 |
| 145 | 629 | 643 | 689 | 782 | 907 | 1011 | 1113 | 1208 | 1243 |
| 155 | 693 | 701 | 740 | 814 | 907 | 997 | 1077 | 1143 | 1163 |
| 165 | 755 | 762 | 790 | 835 | 892 | 946 | 997 | 1034 | 1044 |
| 175 | 831 | 836 | 843 | 860 | 882 | 896 | 914 | 925 | 925 |
| 180 | 878 | 878 | 878 | 878 | 878 | 878 | 878 | 878 | 878 |

ZONAL LUMENS

| Zone | Lumens |
|---------|--------|
| 90 | |
| 90-100 | 78 |
| 100-110 | 321 |
| 110-120 | 550 |
| 120-130 | 665 |
| 130-140 | 657 |
| 140-150 | 567 |
| 150-160 | 423 |
| 160-170 | 254 |
| 170-180 | 84 |
| 180 | |

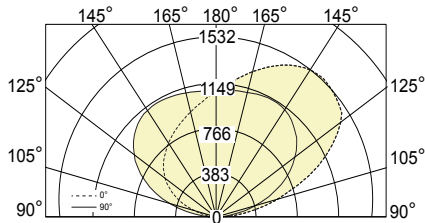
i All IES files are available for download at: www.axislighting.com

● PHOTOMETRIC DATA

NO SHIELDING (NO)

CCWH-SL-100/0-1100-80-35-4-W
100% up at 1100 lm/ft

PHOTOMETRIC CURVE



CANDELA DISTRIBUTION

| Vertical Angle | Horizontal Angles | | | | | | | | |
|----------------|-------------------|------|------|------|------|-------|------|-------|------|
| | 0 | 22.5 | 45 | 67.5 | 90 | 112.5 | 135 | 157.5 | 180 |
| 90 | 0 | 0 | 0 | 0 | 0 | 0 | 0 | 0 | 0 |
| 95 | 15 | 64 | 70 | 90 | 127 | 120 | 137 | 153 | 164 |
| 105 | 201 | 279 | 302 | 354 | 444 | 508 | 520 | 542 | 565 |
| 115 | 421 | 475 | 515 | 600 | 730 | 810 | 918 | 1002 | 1033 |
| 125 | 580 | 612 | 664 | 775 | 929 | 1038 | 1161 | 1339 | 1395 |
| 135 | 686 | 705 | 762 | 886 | 1051 | 1174 | 1312 | 1454 | 1510 |
| 145 | 769 | 785 | 842 | 956 | 1108 | 1236 | 1360 | 1477 | 1519 |
| 155 | 847 | 857 | 905 | 995 | 1108 | 1218 | 1316 | 1397 | 1422 |
| 165 | 923 | 931 | 965 | 1021 | 1091 | 1157 | 1219 | 1264 | 1276 |
| 175 | 1016 | 1022 | 1030 | 1051 | 1077 | 1095 | 1117 | 1131 | 1130 |
| 180 | 1073 | 1073 | 1073 | 1073 | 1073 | 1073 | 1073 | 1073 | 1073 |

ZONAL LUMENS

| Zone | Lumens |
|---------|--------|
| 90 | |
| 90-100 | 96 |
| 100-110 | 393 |
| 110-120 | 673 |
| 120-130 | 813 |
| 130-140 | 803 |
| 140-150 | 693 |
| 150-160 | 516 |
| 160-170 | 311 |
| 170-180 | 103 |
| 180 | |

Lumen/ft up: 1100 lm/ft
Total Lumens: 4400 lm (for 4ft)
Input Watts: 49.9 W
Efficacy: 88 lm/W

80 CRI shown. For 90 CRI, divide wattage by 0.8 and multiply efficacy by 0.8.
3500K shown. For 2700K, divide wattage by 0.94 and multiply efficacy by 0.94.
For 4000K, divide wattage by 1.02 and multiply efficacy by 1.02.

IES FILE: CCWH-SL-100-0-1100-80-35-4-W.IES

TESTED ACCORDING TO IES LM-79-2008

i All IES files are available for download at: www.axislighting.com