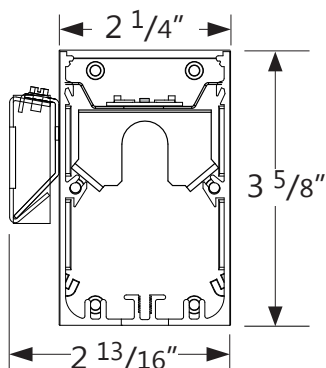


Project _____

Type _____

Notes _____



PERFORMANCE PER LINEAR FOOT AT 3500K

NOMINAL LUMEN OUTPUT	INPUT WATTS*	EFFICACY
640 lm/ft	4.9 W/ft	130 lm/W

* Based on a 4 foot luminaire using one driver
Please consult factory for custom lumen output and wattage.



Ordering Guide

BWILED		NOM. LUMENS/FT		CRI		COLOR TEMP.		C		MR (OPTIONAL)			
PRODUCT ID								SHIELDING	LENGTH (FT)				
BWILED	Wall Indirect LED	640	640 lm/ft	80	80 CRI	27	2700 K	C	clear	2	2'	DMLED(#)	downlight modle LED
				90	90 CRI	30	3000 K			3	3'		
						35	3500 K			4	4'		
						40	4000 K			5	5'		
										6	6'		
										8	8'		
										12	12'		
										S#	system run		
Consult factory for outputs outside of the listed range.										Add 6" per lamp. Specify quantity. Separate circuits included			

FINISH		VOLTAGE		DRIVER		CIRCUITS		BATTERY (OPTIONAL)	
AP	aluminum paint	120	120 V	DP	dimming (0-10V) 1%	1	1 circuit	B#	battery pack (integral)
W	white	277	277 V	LT	Lutron ⁽¹⁾	2	2 circuits		
BLK	black	347	347 V	BI	bi-level dimming	+E(#)	emergency circuit ⁽³⁾		
C	custom	UNV	universal	O	other ⁽²⁾	+NL(#)	night light circuit ⁽³⁾		
						+GTD(#)	generator transfer device ⁽³⁾		
						+M	MR		
(1) Specify system (2) Please consult factory; see page 2						(3) Specify quantity		Not available with 347V Please consult factory	

OTHER (OPTIONAL)	IC CONTROLS (OPTIONAL)	CUSTOM (OPTIONAL)
F fuse	DS# daylight sensor OS# occupancy sensor DOS# daylight & occupancy sensor EN# Enlighted integral ⁽⁴⁾ ENR# Enlighted remote ⁽⁴⁾ WC# wireless control dimming	C custom
Requires 120V or 277V	(4) Please consult factory. Specify quantity. Requires 8" blank See integrated controls guide for more details.	Please specify

CONSTRUCTION

Housing	Extruded aluminum (0.075" nominal) Up to 70% recycled content
End Cap	Sheet steel (18 gauge)
Wall Bracket	Zinc alloy die cast
Interior Brackets	Die formed sheet steel (18 gauge)
Reflectors	White powder coated sheet steel (22 gauge)
Blank	Extruded aluminum (0.075" nominal)

ELECTRICAL

Lutron driver*	LDE1 - EcoSystem H-Series (1%) LDE5 - EcoSystem 5-Series (5%) LTE - Hi-Lume® A-series 2Wires Forward Phase (1%) <small>*Consult factory</small>
Other drivers	DALI - Digital Addressable Lighting Interface DMX - Digital Multiplex LV - line voltage - Advance Mark 10 Xitanium SR - For wireless sensor
Emergency	Integral emergency battery pack or emergency circuit optional.
Input Voltage	120V, 277V, 347V, UNV.

i Incorporating these components may have limitations or affect the length of the luminaire. Please contact factory for more details.

SYSTEM (S#)

BEAM 2 LED linear systems, with the use of a strong profile, allow for a nearly hair thin connection system of continuous runs. Lengths of 4', 8', 12' as well as custom lengths are available. Runs of BEAM 2 LED that are greater than 12' in length are designated as systems (S#). This means that the run is comprised of a combination 4', 8' and/or 12' sections to be assembled on site using our joining system. For more information on systems and joining, please refer to the BEAM 2 LED installation sheets available for download at www.axislighting.com.

FINISHES

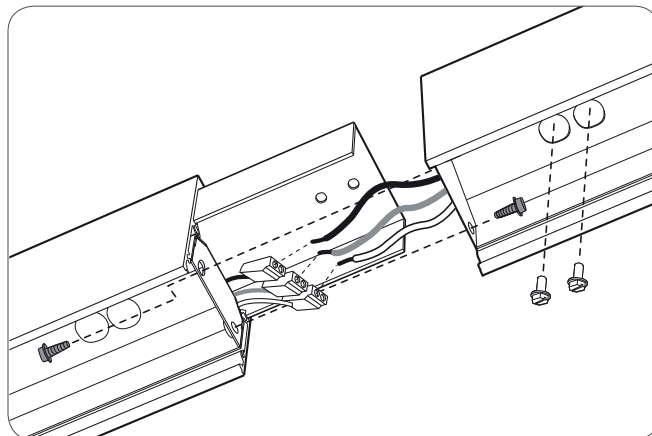
Powder coated and custom finishes are also available.

WEIGHT

Wall Indirect LED 4 ft	10.5 lbs / 4.8 kg
Wall Indirect LED 8 ft	21.0 lbs / 9.6 kg
Wall Indirect LED 12 ft	31.5 lbs / 14.4 kg

JOINERS


In order to allow very long runs of BEAM 2 LED luminaires, Axis has developed a number of different joining systems. Special care has been taken to maximize the performance of the joiner for each BEAM 2 LED option.



NOTE: Mount each system segment individually. Do not assemble system prior to mounting.

i Allow a minimum of 6" between end of long runs and vertical wall

APPROVALS

Certified to UL and CSA standards 
Meets NYC requirements and ADA requirements.
Suitable for damp locations.

OTHER MOUNTING OPTIONS

BEAM 2 LED is also available with pendant, recessed, surface and recessed vertical mounted options.

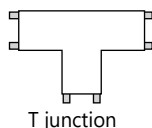
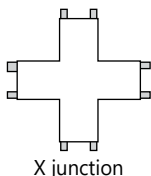
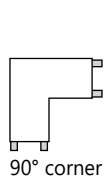
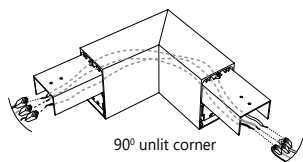
i Specification sheets and installation sheets for all mountings for BEAM 2 LED luminaires are available for download at www.axislighting.com

LED SYSTEM

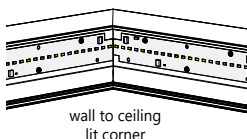
CRI	Minimum 80 or 90 color rendering index
CCT	Choice of 2700K, 3000K, 3500K and 4000K color temperature with a great color consistency (within 3.5-step MacAdam ellipse).
LED life	Minimum 50,000h with 70% of lumen maintenance in 25°C ambient temperature, in compliance with IES LM-80 testing measurements.
Thermal management	Aluminium housing acting as the heat sink to maximize life.

● CORNERS

Unlit Corners - BEAM 2 LED features a multitude of layout patterns with the use of a number of corners, 90° corner, T or X junctions.



Lit Corners - Axis also offers lit 90° corners including ceiling to ceiling, wall to ceiling and ceiling to wall.



i For custom corner angles, please consult factory. Specifications sheets for all corners are available at: www.axislighting.com

● WARRANTY

Axis Lighting will warrant defective LEDs, boards, and drivers for 5 years from date of purchase. Warranty is valid if luminaire is installed and used according to specifications. If defective, Axis will send replacement boards or drivers at no cost along with detailed replacement instructions and instructions on how to return defective components to Axis.

● DMLED MODULE

Blank LED Module Quantity

Extruded aluminum (0.075" nominal) 2" diameter

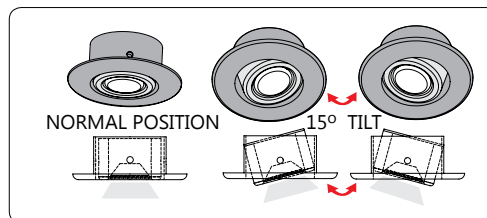
For every 4' section, there may be up to a maximum of 4 x DMLED module.

Spacing

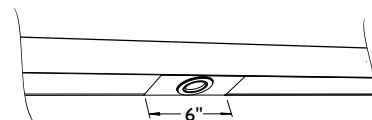
Each DMLED module is placed centered on a blank section 6" in length.

For a series of modules within a given section length, they will be spaced evenly on a longer blank section. Custom spacing may be available on special request.

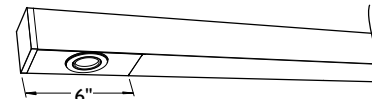
Tilt 15° each side.



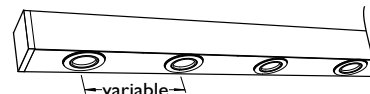
Between sections



At luminaire ends



Several in a long blank section

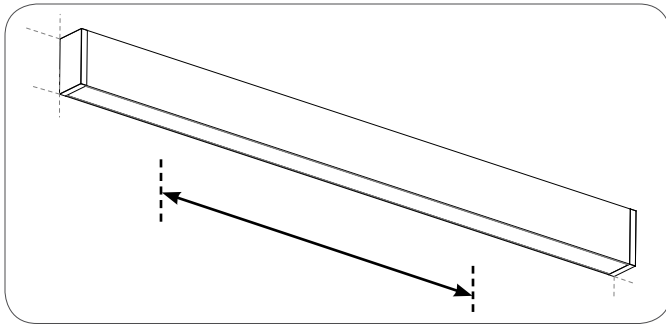


Beam Angle	30 nominal degrees
Input Watts	3W
Nominal Lumens	126 lumens
Efficacy	42 lumens per watt
Color Rendering Index (CRI)	80
Life	25,000 hours at L ₇₀
Correlated color temperature (CCT)	3000K

i More options are available upon request. Please consult factory.

* See photometric report.

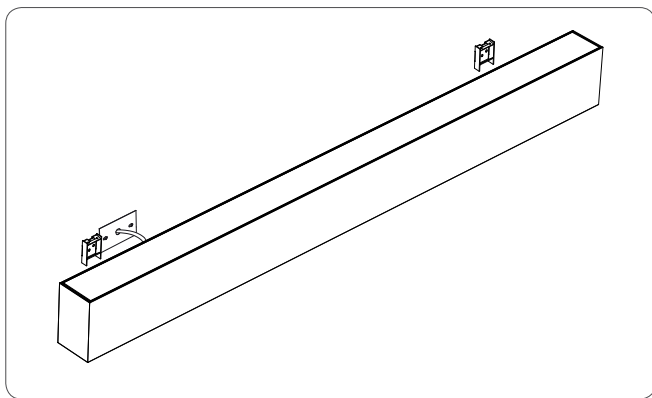
● MOUNTING SPACING



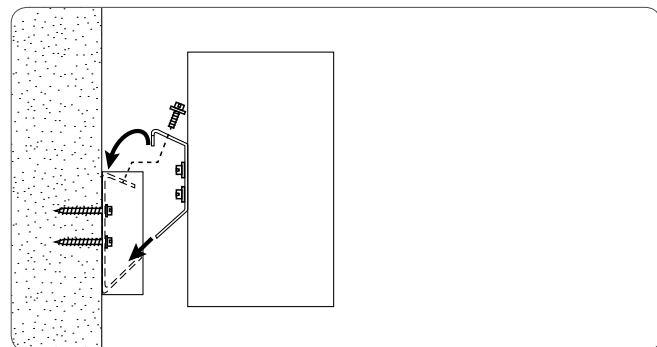
BEAM2 LED 4' (32" C.C.)
BEAM2 LED 8' (80" C.C.)
BEAM2 LED 12' (128" C.C.)

NOTE: Use stud if possible for mounting

● HORIZONTAL MOUNTING DETAILS

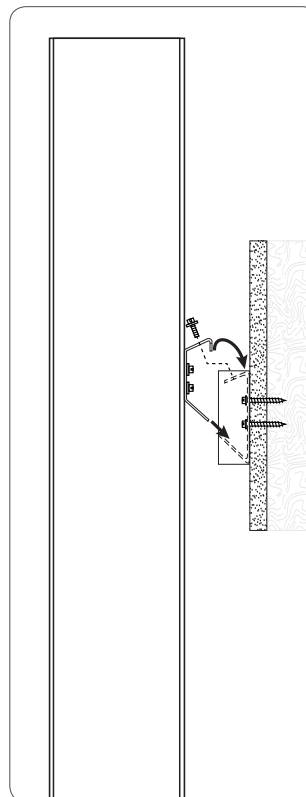


MOUNTING BRACKETS

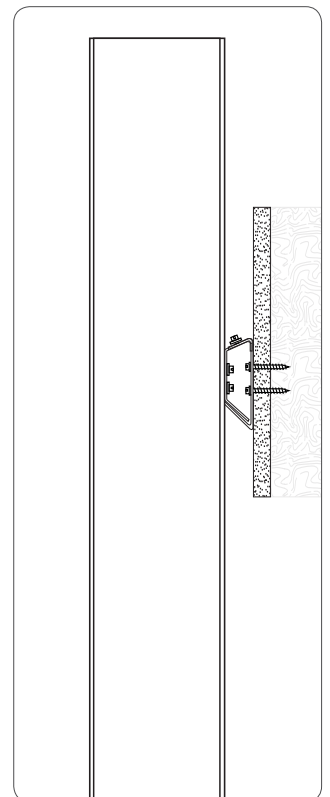


SIDE VIEW

● VERTICAL MOUNTING DETAILS



MOUNTING BRACKETS



SIDE VIEW

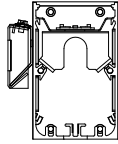
● OTHER MOUNTING OPTIONS

BEAM2 LED is available with recessed, pendant, surface, wall and recessed wall mounted options.

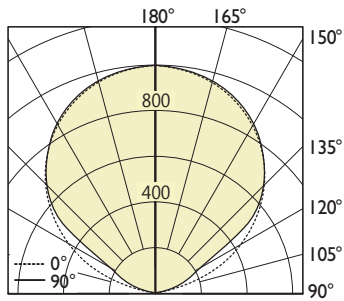
i Specification sheets and installation sheets for all mountings for BEAM luminaires are available for download at www.axislighting.com

● PHOTOMETRIC DATA

640 lm/ft



PHOTOMETRIC CURVE



Luminaire Lumens: 640 lm/ft
Input Watts: 4.9 W/ft
Efficacy: 130 lm/W

IES FILE: BWILED-640-80-35-C.IES
 TESTED ACCORDING TO IES LM-79-2008

CANDELA DISTRIBUTION

Vertical Angle	Horizontal Angles				
	0	22.5	45	67.5	90
90	0	0	0	0	0
95	12	8	6	7	7
105	146	125	86	43	35
115	339	336	238	187	191
125	524	517	511	480	422
135	677	673	663	668	668
145	798	795	791	789	788
155	889	892	887	883	881
165	952	953	951	948	949
175	984	992	989	985	985
180	994	994	994	994	994

ZONAL LUMENS

Zone	Lumens
90	
90-100	11
100-110	99
110-120	259
120-130	436
130-140	516
140-150	495
150-160	409
160-170	268
170-180	94
180	

i All IES files are available for download at: www.axislighting.com