

Project _____

Type _____

Notes _____

PERFORMANCE PER LINEAR FOOT AT 4000K

NOMINAL LUMEN OUTPUT	INPUT WATTS*	EFFICACY
400 lm/ft	3.6 W/ft	111 lm/W
500 lm/ft	4.7 W/ft	106 lm/W
750 lm/ft	7.5 W/ft	100 lm/W
1000 lm/ft	10.4 W/ft	96 lm/W

* Based on a 4 foot luminaire using one driver
Please consult factory for custom lumen output and wattage.



Ordering Guide

BRLED					FL			
PRODUCT ID	NOM. LUMENS/FT	CRI	COLOR TEMP.	SHIELDING	LENGTH (FT)	MR (OPTIONAL)		
BRLED Recessed LED	400 400 lm/ft - Minimum	80 80 CRI	27 2700 K	FL flush	2 2'	DMLED(#)	downlight module LED	
	1000 1000 lm/ft - Maximum	90 90 CRI	30 3000 K		3 3'			
			35 3500 K		4 4'			
			40 4000 K		5 5'			
Outputs between listed min and max are available. Consult factory for outputs outside of the listed range.					6 6'		Add 6" per lamp. Specify quantity. Separate circuits included	
				8 8'				
				12 12'				
				S# system run				

FINISH	VOLTAGE	DRIVER	CIRCUITS	MOUNTING
W white	120 120 V	DP dimming (0-10V) 1%	1 1 circuit	TB9 t-bar 9/16"
C custom	277 277 V	LT Lutron (1)	2 2 circuits	TB15 t-bar 15/16"
	347 347 V	BI bi-level dimming	+E(#) emergency circuit (3)	ST screw slot t-bar
	UNV universal	O other (2)	+NL(#) night light circuit (3)	TG9 tegular 9/16"
			+GTD(#) generator transfer device (3)	TG15 tegular 15/16"
			+M MR	DF drywall flange
				D drywall flangeless
				DB slip-through bracket
				DS drywall spackle flange

(1) Specify system
(2) Please consult factory; see page 2
(3) Specify quantity

BATTERY (OPTIONAL)	OTHER (OPTIONAL)	IC CONTROLS (OPTIONAL)	CUSTOM (OPTIONAL)
B# battery pack (integral)	F fuse (4) FW(#) flex whip (6' std) CP Chicago plenum HD hold-down clip	DS# daylight sensor OS# occupancy sensor DOS# daylight & occupancy sensor EN# Enlighted integral (5) ENR# Enlighted remote (5) WC# wireless control dimming	C custom
Not available with 347V Please consult factory	(4) Requires 120V or 277V	(5) Please consult factory Specify quantity. Requires 8" blank See integrated controls guide for more details.	Please specify

CONSTRUCTION

Housing	Extruded aluminum (0.075" nominal) Up to 70% recycled content
T-Bar Bracket	Die formed sheet steel (16 gauge)
Screw Slot T-Bar Bracket	Die formed sheet steel (16 gauge)
Slip-Through Bracket	Die formed sheet steel (18 gauge)
Spackle Flange	Die formed perforated sheet steel (20 gauge)
Flange	Extruded aluminum (0.075" nominal) Visible flange width: 9/16"
Interior Brackets	Die formed sheet steel (18 gauge)
Reflectors	White powder coated sheet steel (22 gauge)
Blank	Extruded aluminum (0.075" nominal)
Lens	Spotless frosted acrylic lens

ELECTRICAL

Lutron driver*	LDE1 - EcoSystem H-Series (1%) LDE5 - EcoSystem 5-Series (5%) LTE - Hi-Lume® A-series 2Wires Forward Phase (1%) <small>*Consult factory</small>
Other drivers	DALI - Digital Addressable Lighting Interface DMX - Digital Multiplex LV - line voltage - Advance Mark 10 Xitanium SR - For wireless sensor
Emergency	Integral emergency battery pack or emergency circuit optional.
Input Voltage	120V, 277V, 347V, UNV.

i Incorporating these components may have limitations or affect the length of the luminaire. Please contact factory for more details.

WEIGHT

Recessed LED 4ft	10.5 lbs / 4.8 kg
Recessed LED 8ft	21.0 lbs / 9.6 kg
Recessed LED 12ft	31.5 lbs / 14.4 kg


SYSTEM (S#)

BEAM 2 LED linear systems, with the use of a strong profile, allow for a nearly hair thin connection system of continuous runs. Lengths of 4', 8', 12' as well as custom lengths are available. Runs of BEAM 2 LED that are greater than 12' in length are designated as systems (S#). This means that the run is comprised of a combination 4', 8' and/or 12' sections to be assembled on site using our joining system. For more information on systems and joining, please refer to the BEAM 2 LED installation sheets available for download at www.axislighting.com.

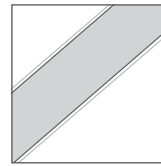
FINISHES

Powder coated and custom finishes are also available.

APPROVALS

Certified to UL and CSA standards 
Meets NYC requirements
Meets CCEC requirements (Chicago plenum)
Suitable for damp locations
IC Rated (Insulated ceiling)

OPTICS

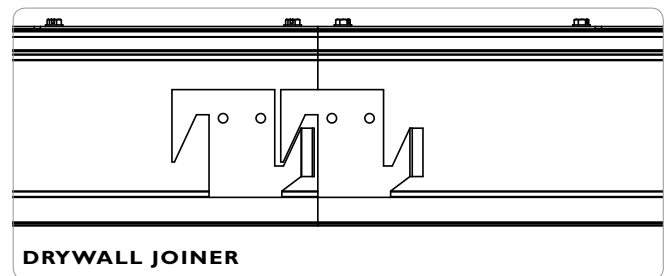
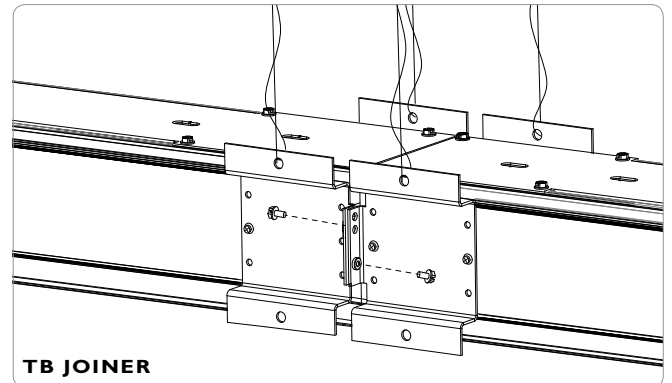


SPOTLESS LENS

Frosted acrylic snap-in lens with micro lens

JOINERS

In order to allow very long runs of BEAM 2 LED luminaires, Axis has developed a number of different joining systems. Special care has been taken to maximize the performance of the joiner for each BEAM 2 LED option.



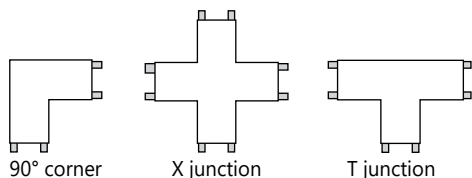
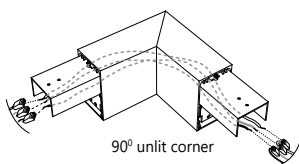
NOTE: Mount each system segment individually. Do not assemble system prior to hanging.

LED SYSTEM

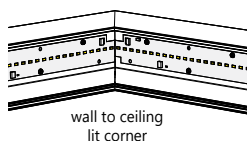
CRI	Minimum 80 or 90 color rendering index
CCT	Choice of 2700K, 3000K, 3500K and 4000K color temperature with a great color consistency (within 3.5-step MacAdam ellipse).
LED life	Minimum 50,000h with 70% of lumen maintenance in 25°C ambient temperature, in compliance with IES LM-80 testing measurements.
Thermal management	Aluminium housing acting as the heat sink to maximize life.

● CORNERS

Unlit Corners - BEAM 2 LED features a multitude of layout patterns with the use of a number of corners, 90° corner, T or X junctions.



Lit Corners - Axis also offers lit 90° corners including ceiling to ceiling, wall to ceiling and ceiling to wall.



i For custom corner angles, please consult factory. Specifications sheets for all corners are available at: www.axislighting.com

● WARRANTY

Axis Lighting will warrant defective LEDs, boards, and drivers for 5 years from date of purchase. Warranty is valid if luminaire is installed and used according to specifications. If defective, Axis will send replacement boards or drivers at no cost along with detailed replacement instructions and instructions on how to return defective components to Axis.

● OTHER MOUNTING OPTIONS

BEAM 2 LED is also available with pendant, surface, wall, wall vertical and recessed vertical mounted options.

i Specification sheets and installation sheets for all mountings for BEAM 2 LED luminaires are available for download at www.axislighting.com

● DMLED MODULE

Blank LED Module Quantity

Extruded aluminum (0.075" nominal) 2" diameter

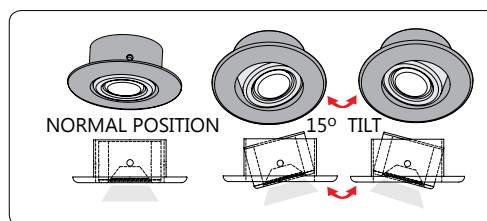
For every 4' section, there may be up to a maximum of 4 x DMLED module.

Spacing

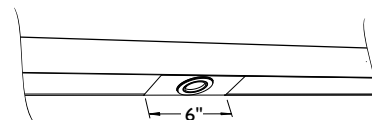
Each DMLED module is placed centered on a blank section 6" in length.

For a series of modules within a given section length, they will be spaced evenly on a longer blank section. Custom spacing may be available on special request.

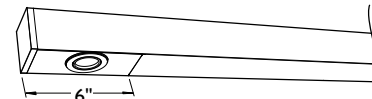
Tilt 15° each side.



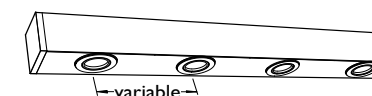
Between sections



At luminaire ends



Several in a long blank section

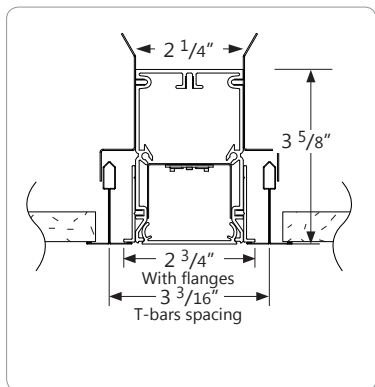


Beam Angle	30 nominal degrees
Input Watts	3W
Nominal Lumens	126 lumens
Efficacy	42 lumens per watt
Color Rendering Index (CRI)	80
Life	25,000 hours at L ₇₀
Correlated color temperature (CCT)	3000K

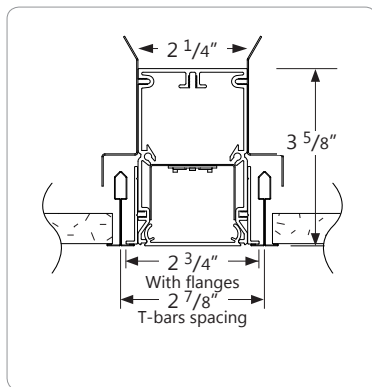
i More options are available upon request. Please consult factory.

* See photometric report.

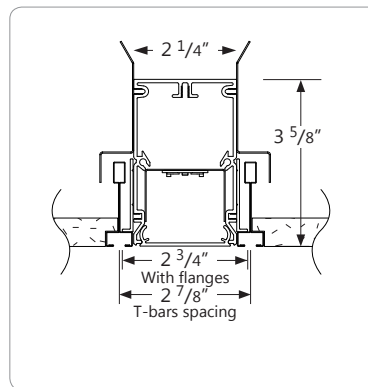
● TB CEILING MOUNTING OPTIONS



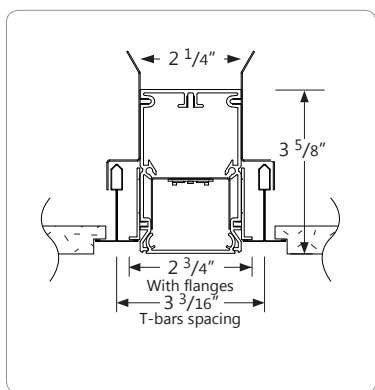
TB15 15/16" T-BAR



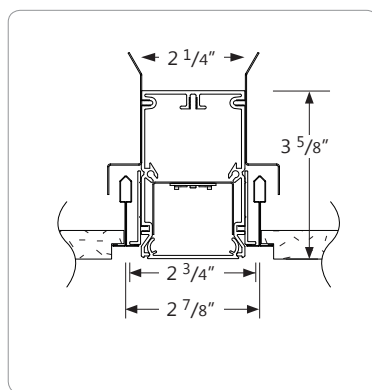
TB9 9/16" T-BAR



ST SCREW SLOT T-BAR

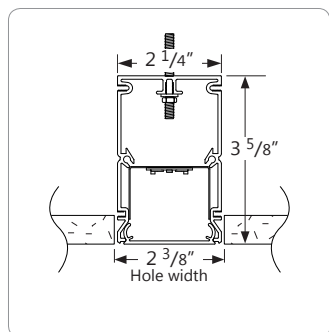


TG15 15/16" TEGULAR

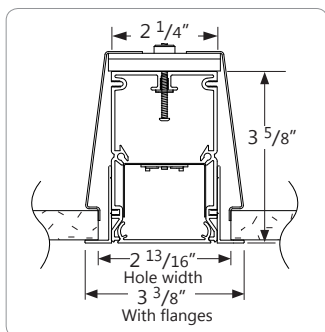


TG9 9/16" T-TEGULAR

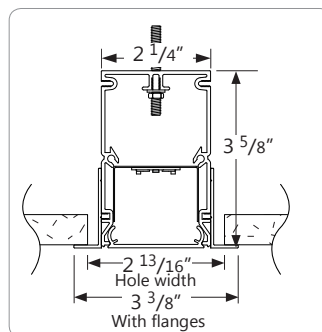
● DRYWALL CEILING MOUNTING OPTIONS



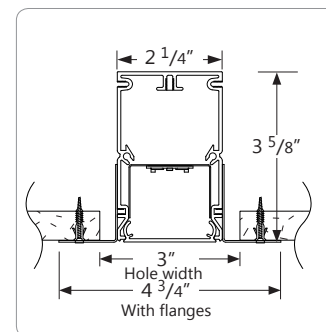
D FLANGELESS WITH 1/4-20 STUD MOUNTING



DB VISIBLE FLANGES WITH SLIP-THROUGH BRACKET



DF VISIBLE FLANGES WITH 1/4-20 STUD MOUNTING



DS SPACKLE FLANGES

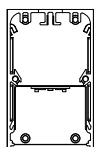
● OTHER MOUNTING OPTIONS

BEAM 2 LED is also available with pendant, surface, wall and recessed wall mounted options.

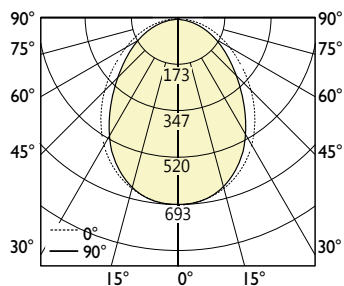
i Specification sheets and installation sheets for all mountings for BEAM 2 LED luminaires are available for download at www.axislighting.com

● PHOTOMETRIC DATA

400 lm/ft



PHOTOMETRIC CURVE



Luminaire Lumens: 400 lm/ft
Input Watts: 3.6 W/ft
Efficacy: 111 lm/W

IES FILE: BRLED-400-80-40-FL.IES
 TESTED ACCORDING TO IES LM-79-2008

CANDELA DISTRIBUTION

Vertical Angle	Horizontal Angles				
	0	22.5	45	67.5	90
0	691	691	691	691	691
5	684	687	684	689	691
15	653	656	651	649	651
25	591	589	576	567	563
35	499	492	469	448	440
45	387	377	348	324	315
55	269	260	236	216	208
65	164	157	143	129	124
75	77	76	68	61	59
85	17	15	16	15	15
90	0	0	0	0	0

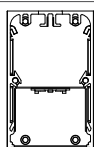
ZONAL LUMENS

Zone	Lumens
0	
0-10	65
10-20	184
20-30	265
30-40	293
40-50	270
50-60	213
60-70	143
70-80	73
80-90	18
90	

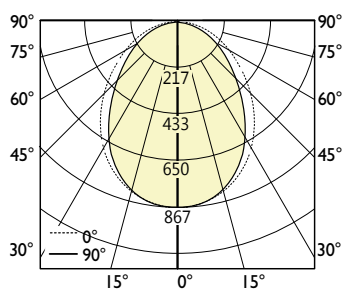
LUMINANCE DATA (cd/m²)

Vertical Angle	Horizontal Angles		
	0	45	90
45	8552	7697	6960
55	7344	6435	5672
65	6069	5280	4589
75	4673	4109	3545
85	3110	2871	2632

500 lm/ft



PHOTOMETRIC CURVE



Luminaire Lumens: 500 lm/ft
Input Watts: 4.7 W/ft
Efficacy: 106 lm/W

IES FILE: BRLED-500-80-40-FL.IES
 TESTED ACCORDING TO IES LM-79-2008

CANDELA DISTRIBUTION

Vertical Angle	Horizontal Angles				
	0	22.5	45	67.5	90
0	863	863	863	863	863
5	855	858	855	862	863
15	817	820	813	812	813
25	738	737	720	708	703
35	623	615	587	560	550
45	483	472	435	405	393
55	337	325	295	270	260
65	205	197	178	162	155
75	97	95	85	77	73
85	22	18	20	18	18
90	0	0	0	0	0

ZONAL LUMENS

Zone	Lumens
0	
0-10	81
10-20	229
20-30	331
30-40	367
40-50	337
50-60	266
60-70	178
70-80	92
80-90	23
90	

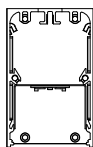
LUMINANCE DATA (cd/m²)

Vertical Angle	Horizontal Angles		
	0	45	90
45	10690	9620	8700
55	9180	8044	7089
65	7586	6599	5736
75	5841	5136	4431
85	3888	3589	3290

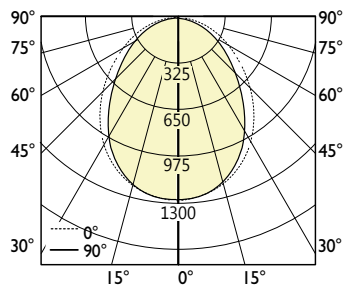
i All IES files are available for download at: www.axislighting.com

PHOTOMETRIC DATA

750 lm/ft



PHOTOMETRIC CURVE



Luminaire Lumens: 750 lm/ft
Input Watts: 7.5 W/ft
Efficacy: 100 lm/W

IES FILE: BRLED-750-80-40-FLIES
 TESTED ACCORDING TO IES LM-79-2008

CANDELA DISTRIBUTION

Vertical Angle	Horizontal Angles				
	0	22.5	45	67.5	90
0	1295	1295	1295	1295	1295
5	1283	1288	1283	1293	1295
15	1225	1230	1220	1218	1220
25	1108	1105	1080	1063	1055
35	935	923	880	840	825
45	725	708	653	608	590
55	505	488	443	405	390
65	308	295	268	243	233
75	145	143	128	115	110
85	33	28	30	28	28
90	0	0	0	0	0

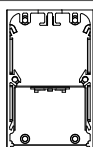
ZONAL LUMENS

Zone	Lumens
0	
0-10	122
10-20	344
20-30	497
30-40	550
40-50	506
50-60	399
60-70	268
70-80	138
80-90	34
90	

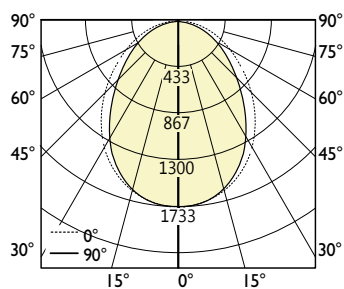
LUMINANCE DATA (cd/m²)

Vertical Angle	Horizontal Angles		
	0	45	90
45	16035	14432	13050
55	13770	12066	10634
65	11380	9899	8604
75	8762	7704	6647
85	5832	5383	4935

1000 lm/ft



PHOTOMETRIC CURVE



Luminaire Lumens: 1000 lm/ft
Input Watts: 10.4 W/ft
Efficacy: 96 lm/W

IES FILE: BRLED-1000-80-40-FLIES
 TESTED ACCORDING TO IES LM-79-2008

CANDELA DISTRIBUTION

Vertical Angle	Horizontal Angles				
	0	22.5	45	67.5	90
0	1727	1727	1727	1727	1727
5	1710	1717	1710	1723	1727
15	1633	1640	1627	1623	1627
25	1477	1473	1440	1417	1407
35	1247	1230	1173	1120	1100
45	967	943	870	810	787
55	673	650	590	540	520
65	410	393	357	323	310
75	193	190	170	153	147
85	43	37	40	37	37
90	0	0	0	0	0

ZONAL LUMENS

Zone	Lumens
0	
0-10	163
10-20	459
20-30	663
30-40	733
40-50	675
50-60	533
60-70	357
70-80	183
80-90	46
90	

LUMINANCE DATA (cd/m²)

Vertical Angle	Horizontal Angles		
	0	45	90
45	21381	19243	17399
55	18360	16087	14179
65	15173	13199	11472
75	11683	10273	8863
85	7776	7178	6580

i All IES files are available for download at: www.axislighting.com