

● PROJECT INFORMATION

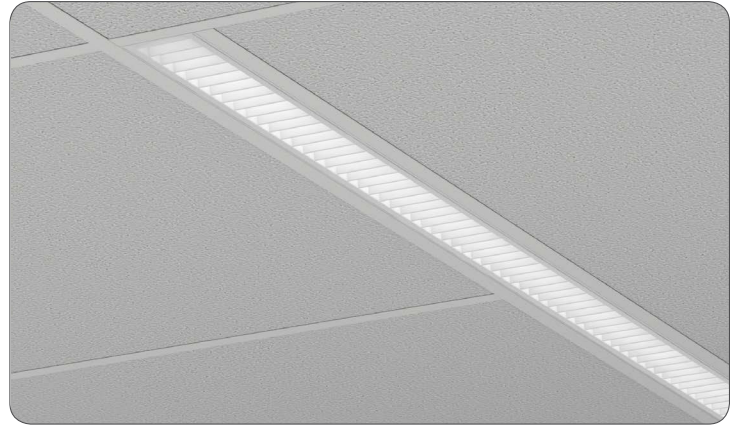
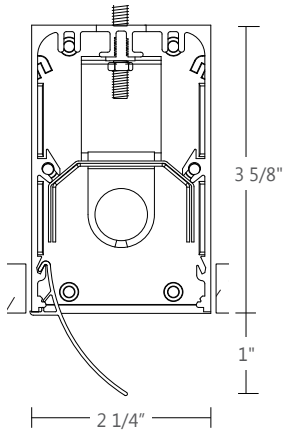
Project:

Type:

Notes:

● DIMENSIONS

SECTION VIEWS



● ORDERING CODE

1	2	3	4	5	6	7	8	9	10	11	12	13	14	15	16
---	---	---	---	---	---	---	---	---	----	----	----	----	----	----	----

● PRODUCT SPECIFICATIONS

1 PRODUCT ID	2 OPTICS	3 LENGTH (FT)	4 SPECIFY LENGTH	5 LAMP	6 LAMP CONFIGURATION
BR recessed	A asymmetric	2 2' 3 3' 4 4' 5 5' 6 6' 8 8' 12 12' S# System Run	NL nominal (3' & 4' lamps) NL4 nominal (4' lamps only) EX exact (3' & 4' lamps) EX4 exact (4' lamps only)	T5 T5 T5HO T5HO T8 T8 ⁽¹⁾	1 1 lamp

(1) Not available for TB

7 MR	8 FINISH	9 VOLTAGE	10 BALLAST	11 CIRCUITS	12 MOUNTING
M11# MR 11 halogen M11LED# MR 11 LED	W white C custom	120 120 V 277 277 V 347 347 V ⁽²⁾ UNV universal	D dimming E instant start ⁽³⁾ ERS program start BI bi-level dimming	1 1 regular 2A/B 2 alternating +E(#) emergency section +NL(#) night light section +GTD(#) generator transfer device +M MR	TB9 t-bar 9/16" TB15 t-bar 15/16" ST screw slot t-bar TG9 tegular 9/16" TG15 tegular 15/16" DF drywall flange D drywall flangeless DB slip-through bracket DS drywall spackle flange

Add 6" per lamp
Requires 120V or 277V

(2) Please consult factory (3) Available with T8 lamp only

13 BATTERY (OPTIONAL)	14 OTHER (OPTIONAL)	15 IC CONTROLS (OPTIONAL)	16 CUSTOM (OPTIONAL)
B# battery pack 4' sections	F fuse EF end feed CP Chicago plenum FW(#) flex whip (6' std) HD hold-down clip	DS# daylight sensor OS# occupancy sensor DOS# daylight&occupancy sensor	C custom

Requires 120V or 277V

See integrated controls guide for further details

Please specify

● **CONSTRUCTION**

Housing	Extruded Aluminum (0.075" nominal) up to 70% Recycled Content
Interior Brackets	Die Formed Sheet Steel (18 ga)
Reflectors	White Powder Coated Sheet Steel (22 ga)
Blank	Extruded Aluminum (0.075" nominal)
T-Bar Bracket	Die Formed Sheet Steel (16 ga)
Screw Slot T-Bar Bracket	Die Formed Sheet Steel (16 ga)
Slip-Through Bracket	Die Formed Sheet Steel (18 ga)
Spackle Flange	Die Formed Perforated Sheet Steel (20 ga)
Flange	Extruded Aluminum (0.075" nominal) visible flange width: 9/16"

● **WEIGHT**

4 ft	10.5 lbs / 4.8 kg
8 ft	21.0 lbs / 9.6 kg
12 ft	31.5 lbs / 14.4 kg

● **SYSTEM (S#)**

BEAM 2 linear systems, with the use of a strong profile, allow for a nearly hair thin connection system of continuous runs. Lengths of 4', 8', 12' as well as custom lengths are available. Runs of BEAM 2 that are greater than 12ft in length are designated as systems (S#). This means that the run is comprised of a combination 4ft, 8ft and/or 12ft sections to be assembled on site using our joining system. For more information on systems and joining, please refer to the BEAM installation sheets available for download at www.axislighting.com.

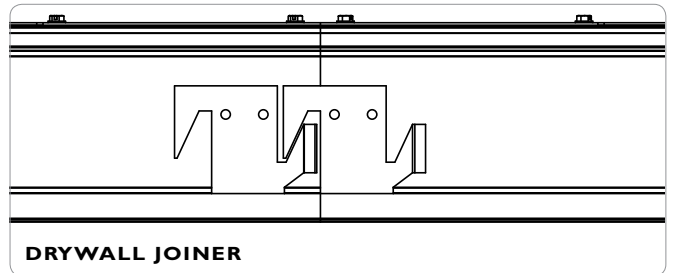
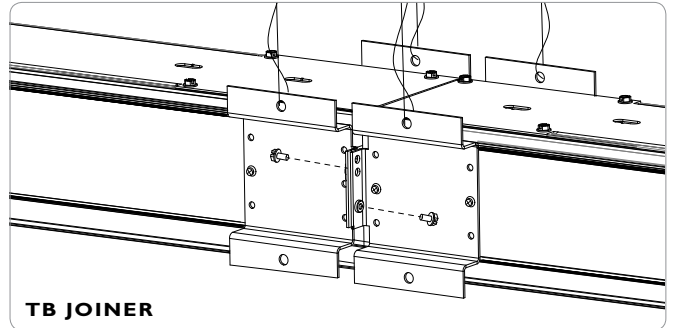
● **ELECTRICAL**

Ballast	Electronic IS, Electronic Rapid Start, Dimming (0-10V, Line, EcoSystem, DALI), BI-level dimming With preinstalled ballast disconnect as per NEC & CEC
Emergency	Emergency battery pack or emergency circuit
Voltage	120V, 277V, 347V, UNV

i Incorporating these components may have limitations or effect the length of the luminaire, please contact factory for more details.

● **JOINERS**

In order to allow very long runs of BEAM 2 luminaires, Axis has developed a number of different joining systems. Special care has been taken to maximize the performance of the joiner for each BEAM option.




NOTE: Mount each system segment individually. Do not assemble system prior to hanging.

● **FINISH**

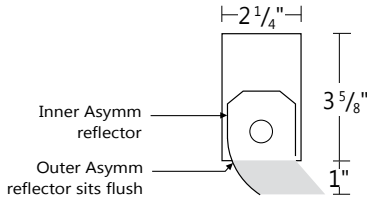
Aluminium paint, Powder Coated and custom finishes are also available.

● **APPROVALS**

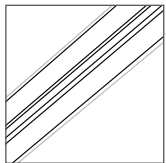
Certified to UL and CUL standards 
 Meets NYC requirements
 Meets CCEC requirements (Chicago plenum)
 Suitable for damp locations.
 IC Rated (Insulated ceiling)

● **ASYMMETRIC**

Inner Asymmetric Reflector Die Formed Specular Aluminum (22 gauge)
Outer Asymmetric Reflector Extruded Aluminum (0.075" nominal)



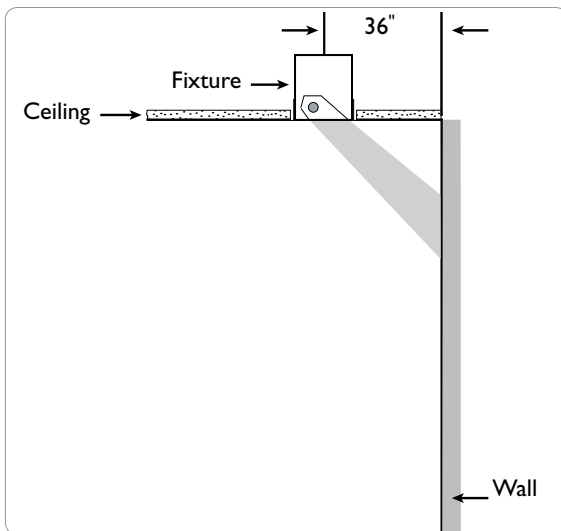
● **OPTICS**



ASYMMETRIC NO LENS
(asymmetric reflector)

A asymmetric

● **LIGHT WASH**

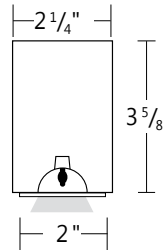


NOTE: Recommended distance away from the wall would be 3 to 4ft.

● **MR11**

Blank MR11 Halogens MR11 LED Quantity Extruded Aluminum (0.075" nominal)
 1.4" diameter (20W / 35W)
 1.4" diameter
 For every 4' fluorescent lamp section, there may be up to a maximum of 4 x MR11 lamps.

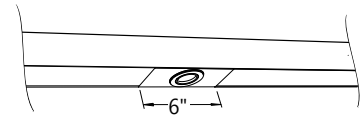
Spacing



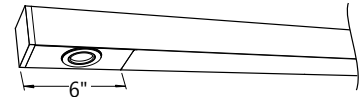
Each MR11 is placed centered on a blank section 6" in length.

For a series of MR11's within a given section length, they will be spaced evenly on a longer blank section. The directed light of MR11 Halogen lamps are fixed downward. Custom spacing may be available on special request.

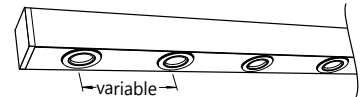
Between fluorescent lamps sections



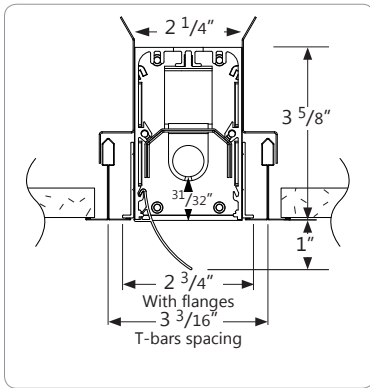
At luminaire ends



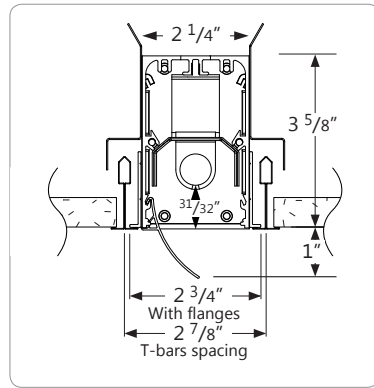
Several in a long blank section



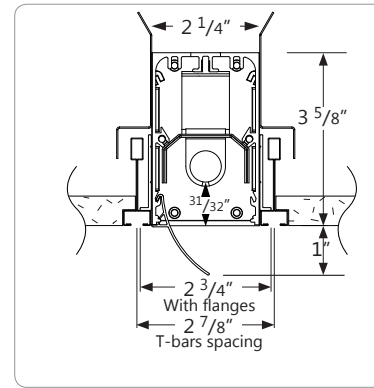
● **TB CEILING MOUNTING OPTIONS**



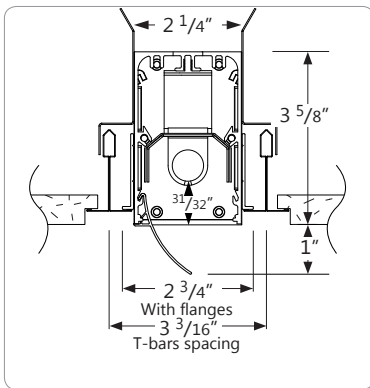
TB15 15/16" T-BAR



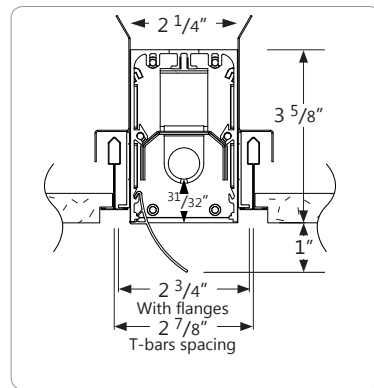
TB9 9/16" T-BAR



ST SCREW SLOT T-BAR

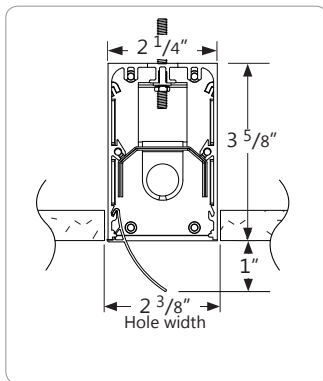


TG15 15/16" TEGULAR

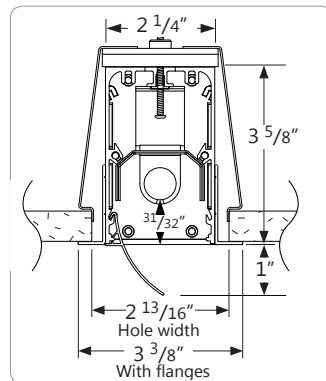


TG9 9/16" T-TEGULAR

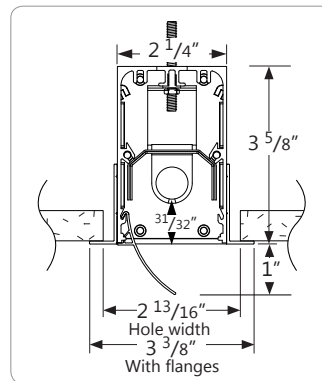
● **DRYWALL CEILING MOUNTING OPTIONS**



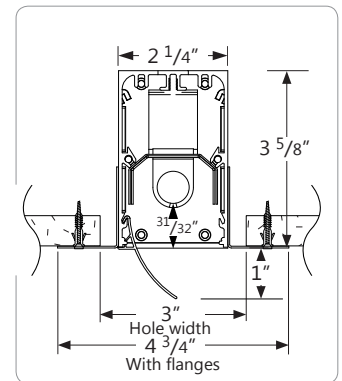
D FLANGELESS WITH 1/4-20 STUD MOUNTING



DB VISIBLE FLANGES WITH SLIP-THROUGH BRACKET



DF VISIBLE FLANGES WITH 1/4-20 STUD MOUNTING



DS SPACKLE FLANGES

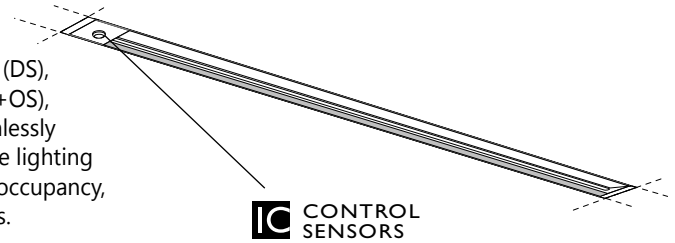
● **OTHER MOUNTING OPTIONS**

BEAM 2 is also available with pendant, surface, wall and recessed wall mounted options.

i Specification sheets and Installation sheets for all mounting for BEAM luminaires are available for download at www.axislighting.com

● **INTEGRATED CONTROL OPTIONS**

BEAM 2 luminaires allow the use of integrated controls such as daylight sensors (DS), occupancy sensors (OS), individual daylight sensors and occupancy sensors (DS+OS), and combination daylight/occupancy sensors (DOS). These options can be seamlessly integrated into our luminaires. The control system could be used to optimize the lighting of the space by reducing energy consumption through daylight harvesting and occupancy, thereby improving the overall interior environment and allowing for LEED credits.



- Consult factory for other options.
- Refer to IC guide for more information.

SENSORS	BRAND	Model	TYPE	CODE	COMPATIBLE DIMMING BALLAST
Daylight Sensor (DS)	Lutron	EC-DIR-WH	Daylight	LD	EcoSystem
	Wattstopper	FD-301	Daylight	WD	0-10V
	Philips	Luxsense	Daylight	PL	0-10V
Occupancy Sensor (OS)	Wattstopper	FS-205	PIR Occupancy	WP1	Programmed Rapid Start
		FS-355	PIR Occupancy	WP2	Programmed Rapid Start
		FM-105	High Frequency Occupancy	WH	Programmed Rapid Start
Daylight & Occupancy Sensors (DOS)	Philips	Actilume	Daylight & PIR Occupancy	PA	DALI or 0-10V

i All IES files for other lamping are available for download at: www.axislighting.com