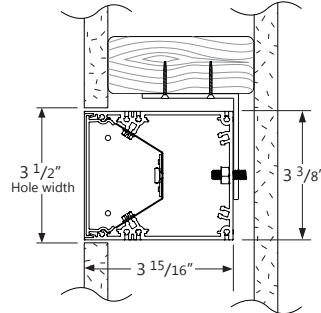


Project \_\_\_\_\_

Type \_\_\_\_\_

Notes \_\_\_\_\_



### PERFORMANCE PER LINEAR FOOT AT 4000K

NOMINAL LUMEN OUTPUT	INPUT WATTS*	EFFICACY
400 lm/ft	3.3 W/ft	122 lm/W
500 lm/ft	4.3 W/ft	117 lm/W
750 lm/ft	6.8 W/ft	109 lm/W
1000 lm/ft	9.5 W/ft	105 lm/W

\* Based on a 4 foot luminaire using one driver  
Please consult factory for custom lumen output and wattage.



### Ordering Guide

BMRVLED					SO	
PRODUCT ID	NOM. LUMENS/FT	CRI	COLOR TEMP.	SHIELDING	LENGTH	
<b>BMRVLED</b> Recessed Vertical LED	<b>400</b> 400 lm/ft - Minimum <b>1000</b> 1000 lm/ft - Maximum	<b>80</b> 80 CRI <b>90</b> 90 CRI	<b>27</b> 2700 K <b>30</b> 3000 K <b>35</b> 3500 K <b>40</b> 4000 K	<b>SO</b> spotless lens	<b>2</b> 2' <b>3</b> 3' <b>4</b> 4' <b>5</b> 5' <b>6</b> 6' <b>8</b> 8' <b>12</b> 12' <b>S#</b> system run	
Outputs between listed min and max are available. Consult factory for outputs outside of the listed range.						

FINISH	VOLTAGE	DRIVER	CIRCUITS	MOUNTING	BATTERY (OPTIONAL)
<b>W</b> white <b>C</b> custom	<b>120</b> 120 V <b>277</b> 277 V <b>347</b> 347 V <b>UNV</b> universal	<b>DP</b> dimming (0-10V) 1% <b>LT</b> Lutron <sup>(1)</sup> <b>BI</b> bi-level dimming <b>O</b> other <sup>(2)</sup>	<b>1</b> 1 circuit <b>2</b> 2 circuits <b>+E(#)</b> emergency circuit <sup>(3)</sup> <b>+NL(#)</b> night light circuit <sup>(3)</sup> <b>+GTD(#)</b> generator transfer device <sup>(3)</sup>	<b>DF</b> drywall flange <b>DS</b> drywall spackle flange <b>D</b> drywall flangeless	<b>B#</b> battery pack 4' sections
		(1) Specify system (2) Please consult factory; see page 2	(3) Specify quantity	Not available with 347V Please consult factory	

OTHER (OPTIONAL)	CUSTOM (OPTIONAL)
<b>F</b> fuse <sup>(4)</sup> <b>EF</b> end feed <b>FW(#)</b> flex whip (6' std)	<b>C</b> custom
(4) Requires 120V or 277V	Please specify

### ● SPECIFICATIONS

#### CONSTRUCTION

<b>Housing</b>	Extruded aluminum (0.075" nominal) Up to 70% recycled content
<b>Interior Brackets</b>	Die formed sheet steel (18 gauge)
<b>Reflectors</b>	White powder coated sheet steel (22 gauge)
<b>Blank</b>	Extruded aluminum (0.075" nominal)
<b>Lens</b>	Spotless acrylic lens

### ● ELECTRICAL

<b>Lutron driver*</b>	LDE1 - EcoSystem H-Series (1%) LDE5 - EcoSystem 5-Series (5%) LTE - Hi-Lume® A-series 2Wires Forward Phase (1%) <small>*Consult factory</small>
<b>Other drivers</b>	DALI - Digital Addressable Lighting Interface DMX - Digital Multiplex LV - line voltage - Advance Mark 10 Xitanium SR - For wireless sensor POE (Power over Ethernet) - Low Voltage Lighting System.
<b>Emergency</b>	Integral emergency battery pack or emergency circuit optional.
<b>Input Voltage</b>	120V, 277V, 347V, UNV.
<b>Flex Whip</b>	Shipped in a separate box for contractors to install

**i** Incorporating these components may have limitations or affect the length of the luminaire. Please contact factory for more details.


### ● FINISHES

Powder coated and custom finishes are also available.

### ● WEIGHT

<b>Recessed Vertical 4 ft</b>	12.3 lbs / 5.0 kg
<b>Recessed Vertical 8 ft</b>	24.6 lbs / 10.1 kg
<b>Recessed Vertical 12 ft</b>	36.9 lbs / 15.1 kg

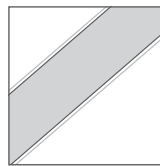
### ● APPROVALS

Certified to UL and CSA standards   
Meets NYC requirements.  
Suitable for damp locations  
IC Rated (Insulated ceiling)

### ● LED SYSTEM

<b>CRI</b>	Minimum 80 or 90 color rendering index
<b>CCT</b>	Choice of 2700K, 3000K, 3500K and 4000K color temperature with a great color consistency (within 3.5-step MacAdam ellipse).
<b>LED life</b>	Minimum 50,000h with 70% of lumen maintenance in 25°C ambient temperature, in compliance with IES LM-80 testing measurements.
<b>Thermal management</b>	Aluminium housing acting as the heat sink to maximize life.

### ● OPTICS



50 spotless lens

#### SPOTLESS LENS

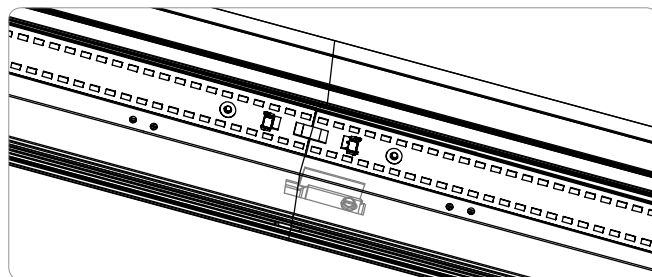
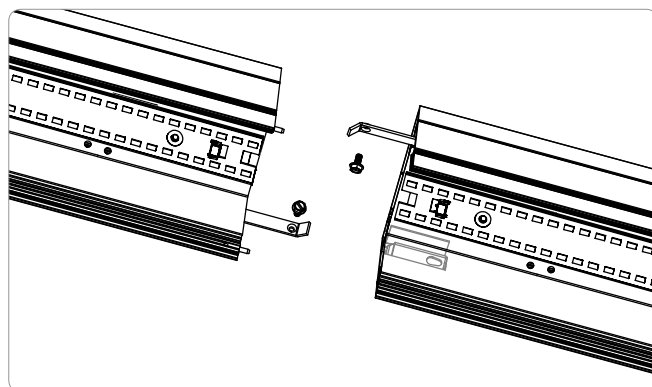
Frosted acrylic snap-in lens with micro lens

### ● SYSTEM (S#)

BEAM 3 LED linear systems, with the use of a strong profile, allow for a nearly hair thin connection system of continuous runs. Lengths of 4', 8', 12' as well as custom lengths are available. Runs of BEAM 3 LED that are greater than 12' in length are designated as systems (S#). This means that the run is comprised of a combination 4', 8' and/or 12' sections to be assembled on site using our joining system. For more information on systems and joining, please refer to the BEAM 3 LED installation sheets available for download at [www.axislighting.com](http://www.axislighting.com).

### ● JOINERS

In order to allow very long runs of BEAM 3 LED luminaires, Axis has developed an effective joining system. Special care has been taken to maximize the performance of the joiner for each BEAM 3 LED option.

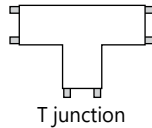
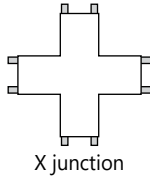
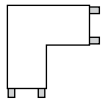
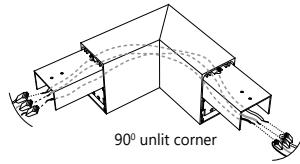


#### JOINER SYSTEM

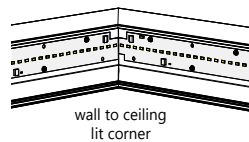
**NOTE:** Hang each system segment individually. Do not assemble system prior to hanging.

### CORNERS

**Unlit Corners** - BEAM 3 LED features a multitude of layout patterns with the use of a number of corners, 90° corner, T or X junctions.



**Lit Corners** - Axis also offers lit 90° corners including ceiling to ceiling, wall to ceiling and ceiling to wall.



**i** For custom corner angles, please consult factory. Specifications sheets for all corners are available at: [www.axislighting.com](http://www.axislighting.com)

### WARRANTY

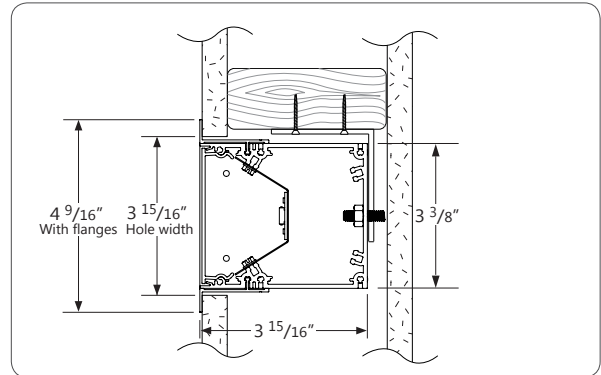
Axis Lighting will warrant defective LEDs, boards, and drivers for 5 years from date of purchase. Warranty is valid if luminaire is installed and used according to specifications. If defective, Axis will send replacement boards or drivers at no cost along with detailed replacement instructions and instructions on how to return defective components to Axis.

### OTHER MOUNTING OPTIONS

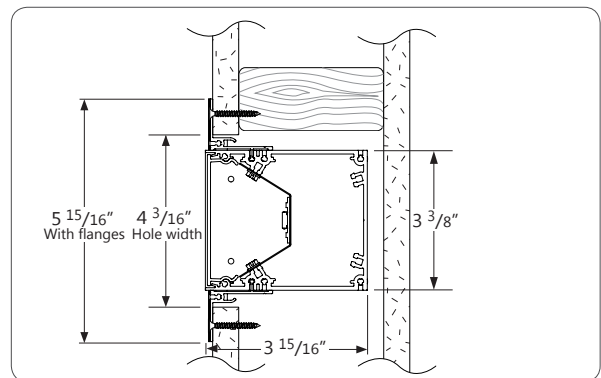
BEAM 3 LED is also available with pendant, recessed, surface, wall, wall vertical and recessed asymmetric mounted options.

**i** Specification sheets and installation sheets for all mountings for BEAM 3 LED luminaires are available for download at [www.axislighting.com](http://www.axislighting.com)

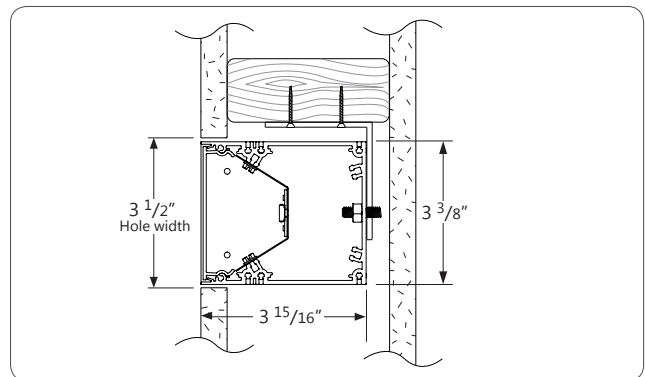
### VERTICAL RECESSED MOUNTING OPTIONS



**DF DRYWALL FLANGED**



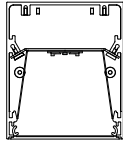
**DS DRYWALL SPACKLE FLANGE**



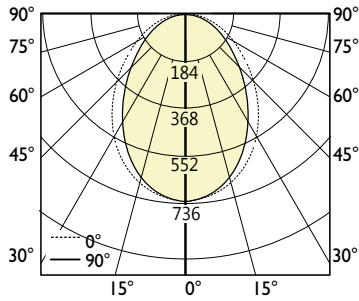
**D DRYWALL FLANGELESS**

### PHOTOMETRIC DATA

400 lm/ft



#### PHOTOMETRIC CURVE



**Luminaire Lumens: 400 lm/ft**  
**Input Watts: 3.3 W/ft**  
**Efficacy: 122 lm/W**

IES FILE: BMRVLED-400-80-40-SO.IES  
 TESTED ACCORDING TO IES LM-79-2008

#### CANDELA DISTRIBUTION

Vertical Angle	Horizontal Angles				
	0	22.5	45	67.5	90
0	733	733	733	733	733
5	725	728	725	728	731
15	681	682	672	666	666
25	600	594	574	557	552
35	493	483	456	430	422
45	378	368	339	314	305
55	268	259	236	215	207
65	168	163	148	134	128
75	83	80	73	67	64
85	19	17	17	16	16
90	0	0	0	0	0

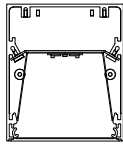
#### ZONAL LUMENS

Zone	Lumens
0	
0-10	69
10-20	189
20-30	264
30-40	285
40-50	263
50-60	212
60-70	147
70-80	78
80-90	20
90	

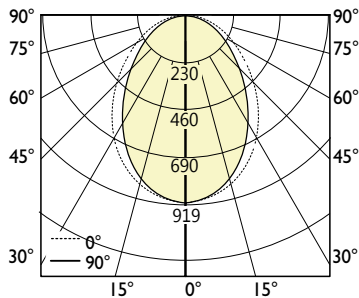
#### LUMINANCE DATA (cd/m<sup>2</sup>)

Vertical Angle	Horizontal Angles		
	0	45	90
45	5574	4998	4492
55	4877	4290	3767
65	4147	3639	3165
75	3344	2930	2570
85	2216	2052	1888

500 lm/ft



#### PHOTOMETRIC CURVE



**Luminaire Lumens: 500 lm/ft**  
**Input Watts: 4.3 W/ft**  
**Efficacy: 117 lm/W**

IES FILE: BMRVLED-500-80-40-SO.IES  
 TESTED ACCORDING TO IES LM-79-2008

#### CANDELA DISTRIBUTION

Vertical Angle	Horizontal Angles				
	0	22.5	45	67.5	90
0	917	917	917	917	917
5	907	910	906	910	914
15	852	852	840	832	832
25	750	743	718	696	690
35	616	604	570	538	527
45	473	460	424	392	381
55	335	324	295	269	259
65	210	203	184	167	160
75	104	100	91	83	80
85	23	21	21	21	20
90	0	0	0	0	0

#### ZONAL LUMENS

Zone	Lumens
0	
0-10	86
10-20	236
20-30	330
30-40	357
40-50	329
50-60	266
60-70	184
70-80	98
80-90	25
90	

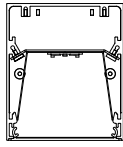
#### LUMINANCE DATA (cd/m<sup>2</sup>)

Vertical Angle	Horizontal Angles		
	0	45	90
45	6968	6247	5615
55	6096	5363	4708
65	5184	4549	3957
75	4181	3662	3213
85	2770	2565	2360

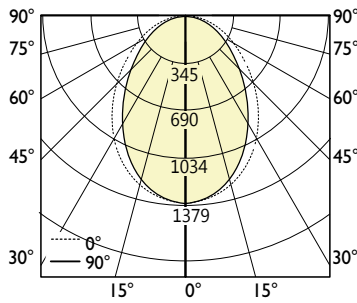
**i** All IES files are available for download at: [www.axislighting.com](http://www.axislighting.com)

### ● PHOTOMETRIC DATA

750 lm/ft



#### PHOTOMETRIC CURVE



**Luminaire Lumens: 750 lm/ft**  
**Input Watts: 6.8 W/ft**  
**Efficacy: 109 lm/W**

IES FILE: BMRVLED-750-80-40-SO.IES  
 TESTED ACCORDING TO IES LM-79-2008

#### CANDELA DISTRIBUTION

Vertical Angle	Horizontal Angles				
	0	22.5	45	67.5	90
0	1375	1375	1375	1375	1375
5	1360	1365	1358	1365	1371
15	1277	1279	1261	1248	1248
25	1124	1114	1077	1045	1036
35	924	906	855	807	791
45	709	690	636	588	571
55	503	486	443	404	389
65	315	305	277	251	241
75	156	151	136	125	120
85	35	32	32	31	30
90	0	0	0	0	0

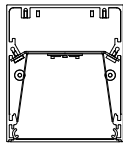
#### ZONAL LUMENS

Zone	Lumens
0	
0-10	129
10-20	355
20-30	496
30-40	535
40-50	493
50-60	398
60-70	276
70-80	146
80-90	38
90	

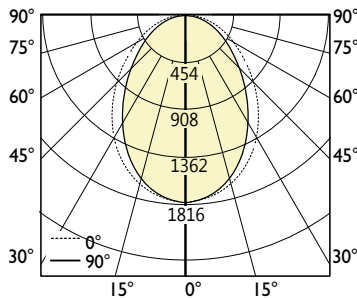
#### LUMINANCE DATA (cd/m<sup>2</sup>)

Vertical Angle	Horizontal Angles		
	0	45	90
45	10452	9371	8422
55	9144	8044	7062
65	7776	6824	5935
75	6271	5493	4820
85	4155	3847	3540

1000 lm/ft



#### PHOTOMETRIC CURVE



**Luminaire Lumens: 1000 lm/ft**  
**Input Watts: 9.5 W/ft**  
**Efficacy: 105 lm/W**

IES FILE: BMRVLED-1000-80-40-SO.IES  
 TESTED ACCORDING TO IES LM-79-2008

#### CANDELA DISTRIBUTION

Vertical Angle	Horizontal Angles				
	0	22.5	45	67.5	90
0	1834	1834	1834	1834	1834
5	1813	1820	1811	1820	1828
15	1703	1705	1681	1664	1664
25	1499	1485	1436	1393	1381
35	1232	1208	1141	1075	1055
45	945	919	847	784	762
55	671	648	590	539	518
65	420	407	369	334	321
75	208	201	182	166	160
85	46	43	43	41	39
90	0	0	0	0	0

#### ZONAL LUMENS

Zone	Lumens
0	
0-10	172
10-20	473
20-30	661
30-40	713
40-50	657
50-60	531
60-70	367
70-80	195
80-90	50
90	

#### LUMINANCE DATA (cd/m<sup>2</sup>)

Vertical Angle	Horizontal Angles		
	0	45	90
45	13936	12494	11230
55	12191	10726	9416
65	10368	9098	7913
75	8361	7324	6426
85	5540	5130	4720

**i** All IES files are available for download at: [www.axislighting.com](http://www.axislighting.com)