

Project _____

Type _____

Notes _____

PERFORMANCE PER LINEAR FOOT AT 4000K

NOMINAL LUMEN OUTPUT	INPUT WATTS*	EFFICACY
500 lm/ft	5.5 W/ft	90 lm/W
600 lm/ft	6.6 W/ft	90 lm/W
700 lm/ft	7.7 W/ft	90 lm/W

* Based on a 4 foot luminaire using one driver
Please consult factory for custom lumen output and wattage.



cULus Listed
Type I.C.

CONTROL
SENSORS

Ordering Guide

BMRLED					ASO				
PRODUCT ID	NOM. LUMENS/FT	CRI		COLOR TEMP.		SHIELDING		LENGTH	
BMRLED Recessed LED	400	400 lm/ft - Minimum	80	80 CRI	30	3000 K	ASO asymmetric with SO lens	2 2'	
	1000	1000 lm/ft - Maximum	90	90 CRI	35	3500 K		3 3'	
					40	4000 K		4 4'	
								5 5'	
								6 6'	
								8 8'	
								12 12'	
								S# system run	
Outputs between listed min and max are available. Consult factory for outputs outside of the listed range.					Consult Axitune spec sheet for Axis color technology options		See page 2-3 for more details		

LED DOWNLIGHT INSERT	FINISH	VOLTAGE	DRIVER	CIRCUITS	MOUNTING
M16LED(#) MR 16 LED	AP aluminum paint W white BLK black C custom	120 120 V 277 277 V 347 347 V UNV universal	DP dimming (0-10V) 1% LT Lutron (1) BI bi-level dimming O other (2)	1 1 circuit 2 2 circuits +E(#) emergency circuit (3) +NL(#) night light circuit (3) +GTD(#) generator transfer device (3) +M MR	TB9 t-bar 9/16" TB15 t-bar 15/16" ST screw slot t-bar TG9 tegular 9/16" TG15 tegular 15/16" DF drywall flange D drywall flangeless DB slip-through bracket DS drywall spackle flange
Add 9" per lamp. Specify quantity. Separate circuits included; Requires 120V or 277V. Available in 2700K or 3000K.			(1) Specify system (2) Please consult factory; see page 2 Consult Axitune spec sheet for Axis color driver options	(3) Specify quantity	

BATTERY (OPTIONAL)	OTHER (OPTIONAL)	IC CONTROLS (OPTIONAL)	CUSTOM (OPTIONAL)
B# battery pack 4' sections	F fuse (4) EF end feed FW(#) flex whip (6' std) CP Chicago plenum	DS# daylight sensor OS# occupancy sensor DOS# daylight & occupancy sensor EN# Enlighted integral (5) ENR# Enlighted remote (6) WC# wireless control dimming	C custom
Not available with 347V. Please consult factory	(4) Requires 120V or 277V	(5) For flush option only; Please consult factory (6) Please consult factory. Specify quantity. Requires 8" blank. See integrated controls guide for more details.	Please specify

● CONSTRUCTION

Housing	Extruded aluminum (0.075" nominal) Up to 70% recycled content
End Cap	Sheet steel (18 gauge)
Interior Brackets	Die formed sheet steel (18 gauge)
Reflectors	White powder coated sheet steel (22 gauge)
Blank	Extruded aluminum (0.075" nominal)
Lens	Spotless acrylic lens
T-Bar Bracket	Die formed sheet steel (16 gauge)
Screw Slot T-Bar Bracket	Die formed sheet steel (16 gauge)
Slip-Through Bracket	Die formed sheet steel (18 gauge)
Spackle Flange	Die formed perforated sheet steel (20 gauge)
Flange	Extruded aluminum (0.075" nominal) visible flange width: 9/16"

● ELECTRICAL


Lutron driver*	LDE1 - EcoSystem H-Series (1%) LDE5 - EcoSystem 5-Series (5%) LTE - Hi-Lume® A-series 2Wires Forward Phase (1%) <small>*Consult factory</small>
Other drivers	DALI - Digital Addressable Lighting Interface DMX - Digital Multiplex LV - line voltage - Advance Mark 10 Xitanium SR - For wireless sensor
Emergency	Integral emergency battery pack or emergency circuit optional.
Input Voltage	120V, 277V, 347V, UNV.

i Incorporating these components may have limitations or affect the length of the luminaire. Please contact factory for more details.

● SYSTEM (S#)

BEAM 3 LED linear systems, with the use of a strong profile, allow for a nearly hair thin connection system of continuous runs. Lengths of 4', 8', 12' as well as custom lengths are available. Runs of BEAM 3 LED that are greater than 12' in length are designated as systems (S#). This means that the run is comprised of a combination 4', 8' and/or 12' sections to be assembled on site using our joining system. For more information on systems and joining, please refer to the BEAM 3 LED installation sheets available for download at www.axislighting.com.

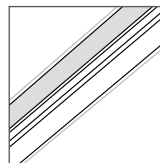
● APPROVALS

Certified to UL and CSA standards 
Meets NYC requirements
Meets CCEC requirements (Chicago plenum)
Suitable for damp locations
IC Rated (Insulated ceiling)

● WEIGHT

Recessed Asymmetric 4 ft	12.3 lbs / 5.0 kg
Recessed Asymmetric 8 ft	24.6 lbs / 10.1 kg
Recessed Asymmetric 12 ft	36.9 lbs / 15.1 kg

● OPTICS

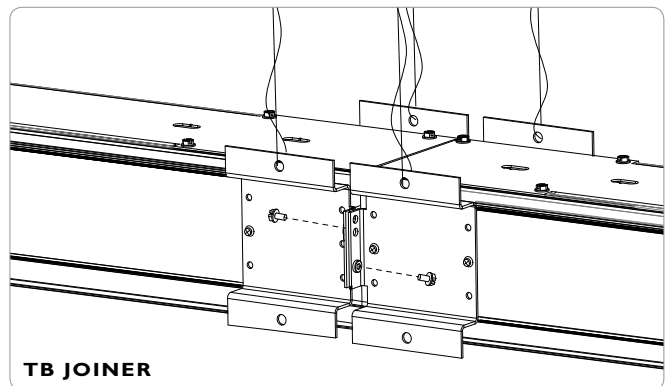


ASO asymmetric with SO lens

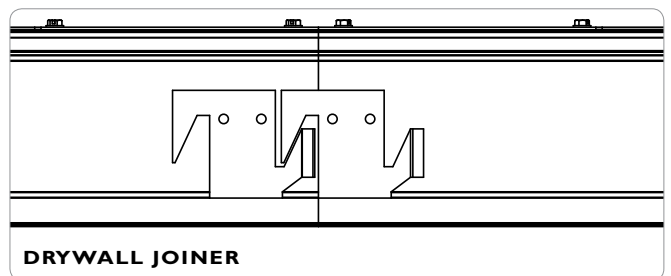
ASYMMETRIC WITH SPOTLESS LENS
PMMA Acrylic lay-in lens spotless: 85% trans.

● JOINERS

In order to allow very long runs of BEAM 3 LED luminaires, Axis has developed a number of different joining systems. Special care has been taken to maximize the performance of the joiner for each BEAM option.



TB JOINER



DRYWALL JOINER

NOTE: Hang each system segment individually. Do not assemble system prior to hanging.

● FINISHES

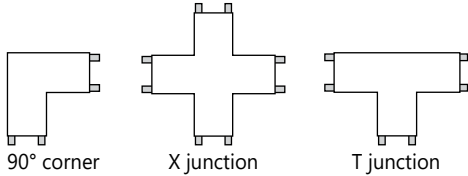
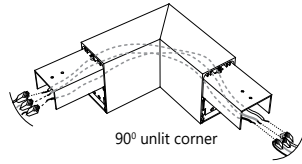
Powder coated and custom finishes are also available.

● LED SYSTEM

CRI	Minimum 80 or 90 color rendering index
CCT	Choice of 2700K, 3000K, 3500K and 4000K color temperature with a great color consistency (within 3.5-step MacAdam ellipse).
LED life	Minimum 50,000h with 70% of lumen maintenance in 25°C ambient temperature, in compliance with IES LM-80 testing measurements.
Thermal management	Aluminium housing acting as the heat sink to maximize life.

● CORNERS

Unlit Corners - BEAM 3 LED features a multitude of layout patterns with the use of a number of corners, 90° corner, T or X junctions.



i For custom corner angles, please consult factory. Specifications sheets for all corners are available at: www.axislighting.com

● WARRANTY

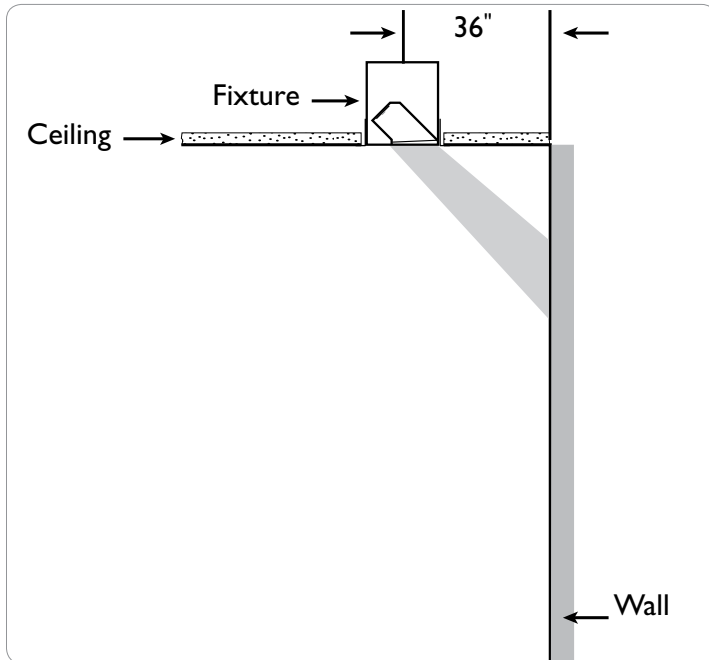
Axis Lighting will warrant defective LEDs, boards, and drivers for 5 years from date of purchase. Warranty is valid if luminaire is installed and used according to specifications. If defective, Axis will send replacement boards or drivers at no cost along with detailed replacement instructions and instructions on how to return defective components to Axis.

● OTHER MOUNTING OPTIONS

BEAM 3 LED is also available with pendant, recessed, surface, wall, wall vertical and recessed vertical mounted options.

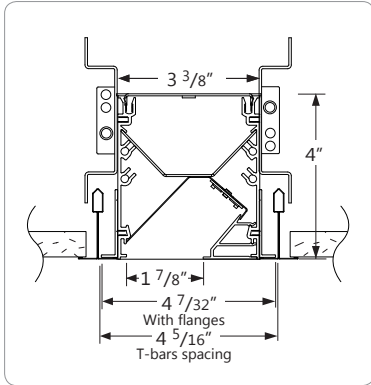
i Specification sheets and installation sheets for all mountings for BEAM 3 LED luminaires are available for download at www.axislighting.com

● LIGHT WASH

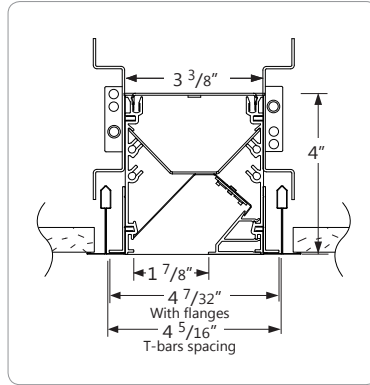


NOTE: Recommended distance from the wall - 3 to 4ft.

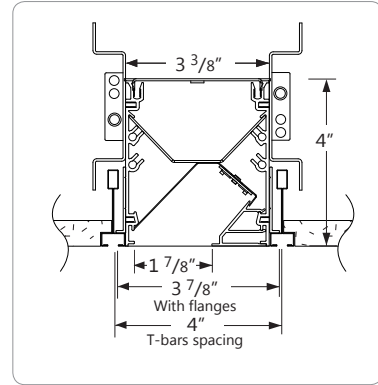
● TB CEILING MOUNTING OPTIONS



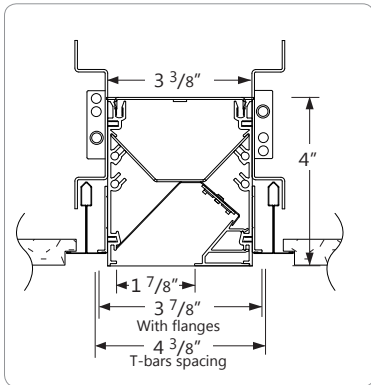
TB15 15/16" T-BAR



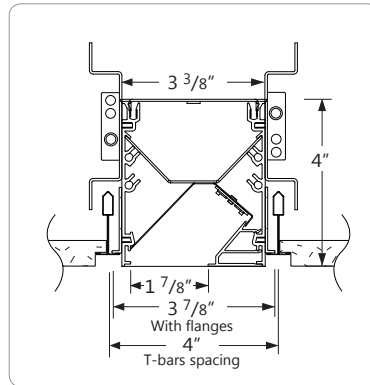
TB9 9/16" T-BAR



ST SCREW SLOT T-BAR

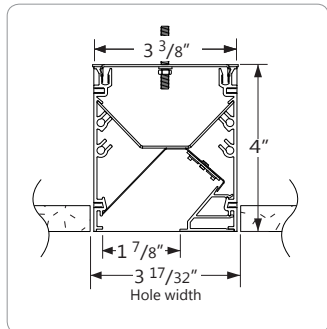


TG15 15/16" TEGULAR

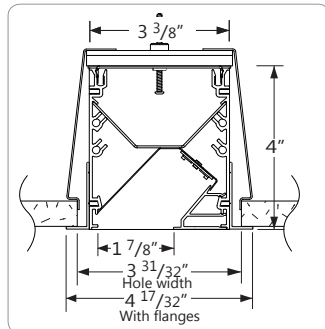


TG9 9/16" T-TEGULAR

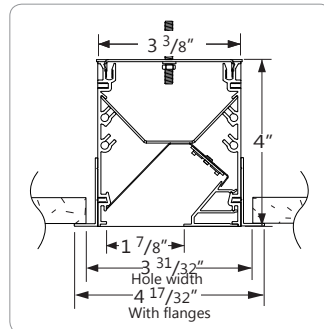
● DRYWALL CEILING MOUNTING OPTIONS



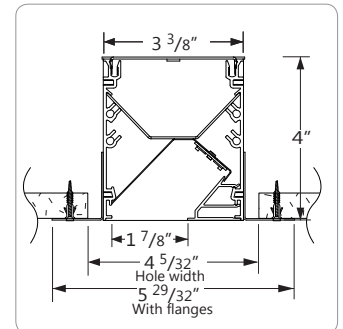
D FLANGELESS WITH 1/4-20 STUD MOUNTING



DB VISIBLE FLANGES WITH SLIP-THROUGH BRACKET



DF VISIBLE FLANGES WITH 1/4-20 STUD MOUNTING



DS SPACKLE FLANGES

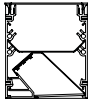
● OTHER MOUNTING OPTIONS

BEAM 3 LED is also available with pendant, surface, wall and recessed wall mounted options.

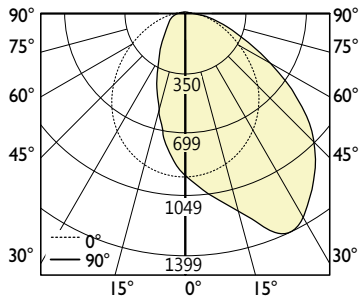
i Specification sheets and installation sheets for all mounting for BEAM luminaires are available for download at www.axislighting.com

PHOTOMETRIC DATA

700 lm/ft
With ASO lens



PHOTOMETRIC CURVE



Luminaire Lumens: 700 lm/ft
Input Watts: 7.7 W/ft
Efficacy: 90 lm/W
IES FILE: BMRLED-700-80-35-ASO.IES

TESTED ACCORDING TO IES LM-79-2008

CANDELA DISTRIBUTION

Vertical Angle	Horizontal Angles				
	0	22.5	45	67.5	90
0	940	940	940	940	940
5	1020	1013	995	968	937
15	1183	1150	1080	997	904
25	1399	1349	1176	985	834
35	1271	1263	1212	946	731
45	1053	1044	1018	858	595
55	731	742	744	671	433
65	376	398	438	414	262
75	154	164	188	185	120
85	32	33	37	39	23
90	0	0	0	0	0

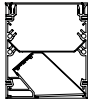
ZONAL LUMENS

Zone	Lumens
0	
0-10	88
10-20	251
20-30	390
30-40	471
40-50	474
50-60	398
60-70	263
70-80	127
80-90	29
90	

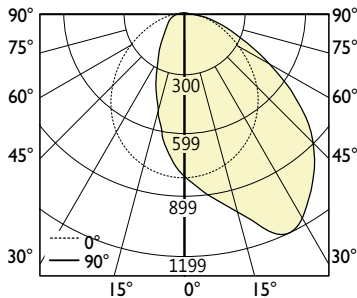
LUMINANCE DATA (cd/m²)

Vertical Angle	Horizontal Angles		
	0	45	90
45	28103	27192	15899
55	24059	24476	14243
65	16805	19548	11712
75	11232	13721	8744
85	6967	8022	5067

600 lm/ft
With ASO lens



PHOTOMETRIC CURVE



Luminaire Lumens: 600 lm/ft
Input Watts: 6.6 W/ft
Efficacy: 90 lm/W
IES FILE: BMRLED-B3-600-80-35-ASO.IES

TESTED ACCORDING TO IES LM-79-2008

CANDELA DISTRIBUTION

Vertical Angle	Horizontal Angles				
	0	22.5	45	67.5	90
0	806	806	806	806	806
5	875	868	853	830	803
15	1014	986	926	855	775
25	1199	1156	1008	845	715
35	1089	1083	1039	811	627
45	902	895	873	735	510
55	627	636	637	576	371
65	322	341	375	355	225
75	132	140	161	159	103
85	28	28	32	33	20
90	0	0	0	0	0

ZONAL LUMENS

Zone	Lumens
0	
0-10	76
10-20	215
20-30	335
30-40	404
40-50	406
50-60	341
60-70	225
70-80	109
80-90	25
90	

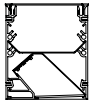
LUMINANCE DATA (cd/m²)

Vertical Angle	Horizontal Angles		
	0	45	90
45	24088	23307	13628
55	20622	20980	12208
65	14405	16756	10038
75	9628	11760	7495
85	5972	6876	4343

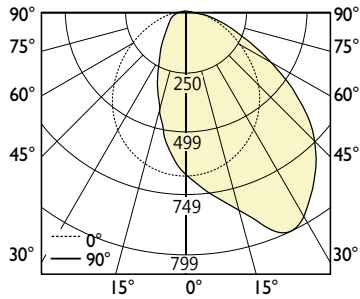
i All IES files for other lamping are available for download at: www.axislighting.com

● PHOTOMETRIC DATA

500 lm/ft
With ASO lens



PHOTOMETRIC CURVE



Luminaire Lumens: 500 lm/ft
Input Watts: 5.5 W/ft
Efficacy: 90 lm/W
IES FILE: BMRLED-B3-500-80-35-ASO.IES

TESTED ACCORDING TO IES LM-79-2008

CANDELA DISTRIBUTION

Vertical Angle	Horizontal Angles				
	0	22.5	45	67.5	90
0	672	672	672	672	672
5	729	723	711	691	669
15	845	821	771	712	646
25	999	963	840	704	596
35	908	902	866	676	522
45	752	746	727	613	425
55	522	530	531	480	309
65	269	284	313	296	187
75	110	117	134	132	86
85	23	24	26	28	17
90	0	0	0	0	0

ZONAL LUMENS

Zone	Lumens
0	
0-10	63
10-20	180
20-30	279
30-40	337
40-50	338
50-60	284
60-70	188
70-80	91
80-90	21
90	

LUMINANCE DATA (cd/m²)

Vertical Angle	Horizontal Angles		
	0	45	90
45	20073	19423	11356
55	17185	17483	10174
65	12004	13963	8365
75	8023	9800	6246
85	4976	5730	3619

i All IES files for other lamping are available for download at: www.axislighting.com