

● **PROJECT INFORMATION**

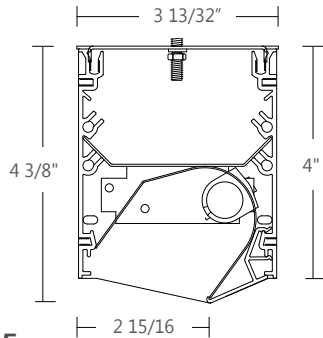
Project:

Type:

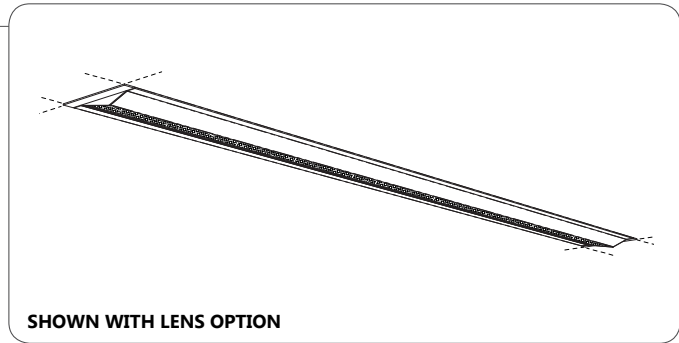
Notes:

● **DIMENSIONS**

SECTION VIEWS



IC
 cULus Listed
 Type I.C.



● **ORDERING CODE**

1	2	3	4	5	6	7	8	9	10	11	12	13	14
---	---	---	---	---	---	---	---	---	----	----	----	----	----

● **PRODUCT SPECIFICATIONS**

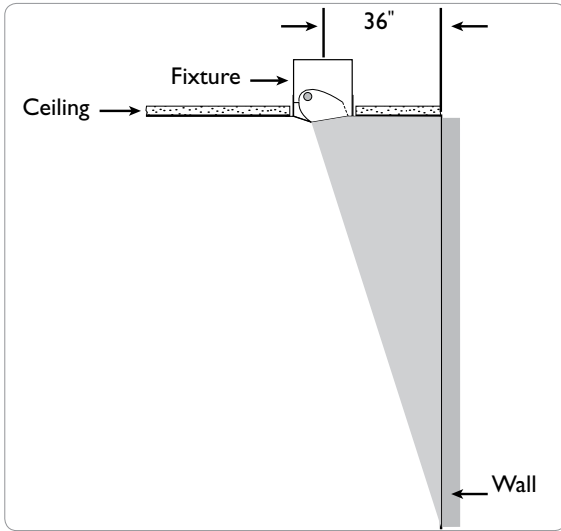
1	PRODUCT ID	2	OPTICS	3	LENGTH (FT)	4	SPECIFY LENGTH	5	LAMP	6	LAMP CONFIGURATION
BMR	recessed	WW	wall wash	2	2'	NL	nominal (3' & 4' lamps)	T5	T5	1	1 lamp
		SW	satın wall wash	3	3'	NL4	nominal (4' lamps only)	T5HO	T5HO		
				4	4'	EX	exact (3' & 4' lamps)				
				5	5'	EX4	exact (4' lamps only)				
				6	6'						
				8	8'						
				12	12'						
				S#	System Run						

7	FINISH	8	VOLTAGE	9	BALLAST	10	CIRCUITS	11	MOUNTING/SUSPENSION	12	BATTERY (OPTIONAL)
W	white	120	120V	D	dimming	1	1 regular	TB9	t-bar 9/16"	B#	battery pack 4' sections
C	custom	277	277V	E	instant start ⁽²⁾	2A/B	2 alternating	TB15	t-bar 15/16"		
		347	347V ⁽¹⁾	ERS	program start	+E(#)	emergency section	ST	screw slot t-bar		
		UNV	universal	BI	bi-level dimming	+NL(#)	night light section	TG9	tegular 9/16"		
						+GTD(#)	generator transfer device	TG15	tegular 15/16"		
								DF	drywall flange		
								D	drywall flangeless		
								DB	slip-through bracket		
								DS	drywall spackle flange		

(1) Please consult factory (2) Available with T8 lamp only

13	OTHER (OPTIONAL)	14	CUSTOM (OPTIONAL)
F	fuse	C	custom
EF	end feed		
FW(#)	flex whip (6' std)		
CP	Chicago plenum		
AR	air return plate ⁽³⁾		
SR	sprinkler plate ⁽³⁾		
SPK	speaker plate ⁽³⁾		
	(3) Only available for t-bar mounting		Please specify

● **LIGHT WASH**



NOTE: Recommended distance away from the wall would be 3 to 4ft.

● **CONSTRUCTION**

Housing	Extruded Aluminum (0.075" nominal) up to 70% Recycled Content
Interior Brackets	Die Formed Sheet Steel (20 ga)
Outer Wall Wash Reflector	Extruded Aluminum (0.075" nominal)
Interior Wall Wash Reflector	Die Formed Specular Aluminum (22 ga)
Blank	Extruded Aluminum (0.075" nominal)
Lenses	Extruded Acrylic (0.070" nominal) Satin: 68% trans.
T-Bar Bracket	Die Formed Sheet Steel (16 ga)
Screw Slot T-Bar Bracket	Die Formed Sheet Steel (16 ga)
Slip-Through Bracket	Die Formed Sheet Steel (18 ga)
Spackle Flange	Die Formed Perforated Sheet Steel (20 ga)
Flange	Extruded Aluminum (0.075" nominal) visible flange width: 9/16"

● **WEIGHT**

4 ft	12.3 lbs / 5.0 kg
8 ft	24.6 lbs / 10.1 kg
12 ft	36.9 lbs / 15.1 kg

● **SYSTEM (S#)**

BEAM 3 linear systems, with the use of a strong profile, allow for a nearly hair thin connection system of continuous runs. Lengths of 4', 8', 12' as well as custom lengths are available. Runs of BEAM 3 that are greater than 12' in length are designated as systems (S#). This means that the run is comprised of a combination 4', 8' and/or 12' sections to be assembled on site using our joining system. For more information on systems and joining, please refer to the BEAM installation sheets available for download at www.axislighting.com.


● **FINISH**

Aluminium paint, Powder Coated and custom finishes are also available.

● **ELECTRICAL**

Ballast	Electronic IS, Electronic Rapid Start, Dimming (0-10V, Line, EcoSystem, DALI), BI-level dimming With preinstalled ballast disconnect as per NEC & CEC
Emergency	Emergency battery pack or emergency circuit
Voltage	120V, 277V, 347V, UNV

● **APPROVALS**

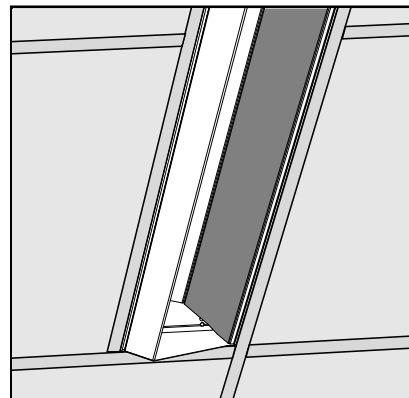
Certified to UL and CUL standards 
 Meets NYC requirements
 Meets CCEC requirements (Chicago plenum)
 Suitable for damp locations.
 IC Rated (Insulated ceiling)

● **JOINERS**

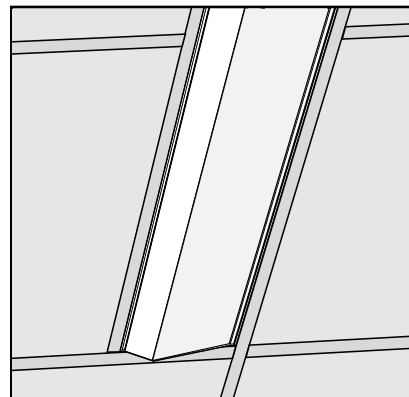
In order to allow very long runs of BEAM 3 luminaires, Axis has developed a number of different joining systems. Special care has been taken to maximize the performance of the joiner for each BEAM option.

NOTE: Hang each system segment individually.
 Do not assemble system prior to hanging.

● **OPTICS**

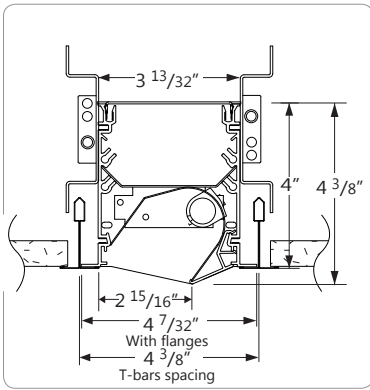


WW Wall Wash (lamp not shielded)

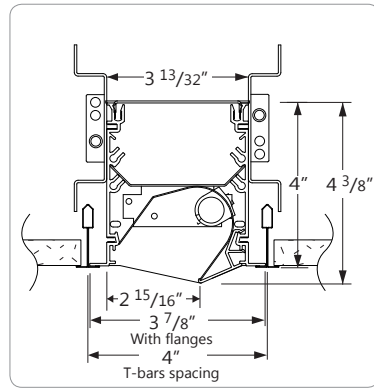


SW Satin Wall Wash (acrylic snap-in lens)
 satin: 68% trans.

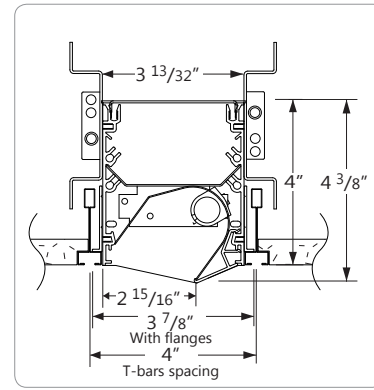
● **TB CEILING MOUNTING OPTIONS**



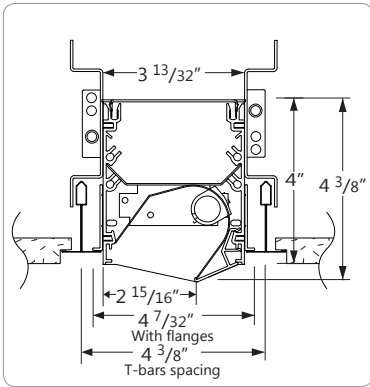
TB15 15/16" T-BAR



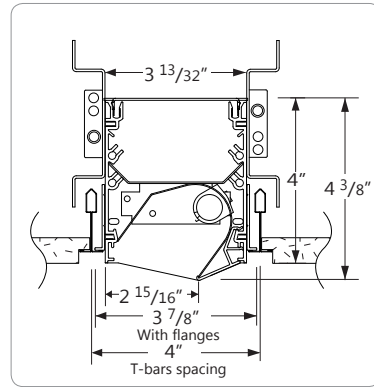
TB9 9/16" T-BAR



ST SCREW SLOT T-BAR

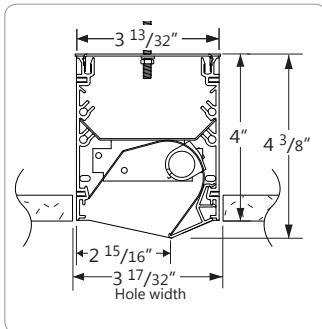


TG15 15/16" TEGULAR

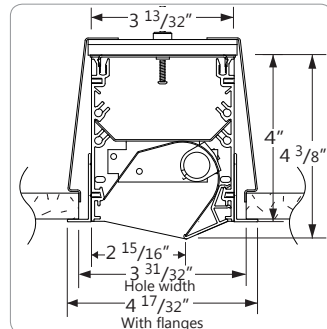


TG9 9/16" T-TEGULAR

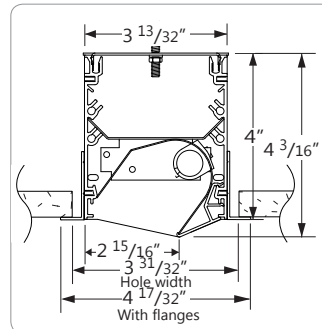
● **DRYWALL CEILING MOUNTING OPTIONS**



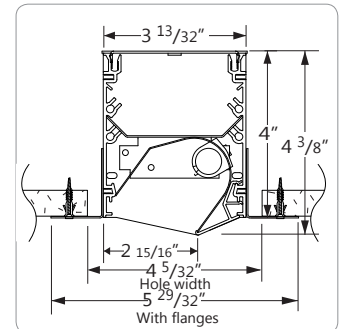
D FLANGELESS WITH 1/4-20 STUD MOUNTING



DB VISIBLE FLANGES WITH SLIP-THROUGH BRACKET



DF VISIBLE FLANGES WITH 1/4-20 STUD MOUNTING



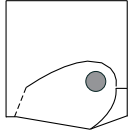
DS SPACKLE FLANGES

● **OTHER MOUNTING OPTIONS**

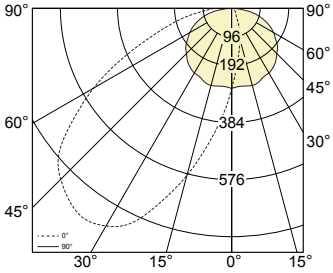
BEAM 3 is also available with recessed, pendant, surface, wall, asymmetric and wall wash mounted options.

i Specification sheets and Installation sheets for all mounting for BEAM luminaires are available for download at www.axislighting.com

I T5



PHOTOMETRIC CURVE



Test Lamp: IxF28T5
 IES FILE: BMR-WW-4-T5-1
Efficiency: 49.4%

CANDELA DISTRIBUTION

Vertical Angle	Horizontal Angles					Zonal Lumens
	0	22.5	45	67.5	90	
0	269	269	269	269	269	
5	196	196	219	230	264	15
15	103	115	141	190	268	71
25	50	59	87	144	254	143
35	26	27	44	102	243	215
45	19	19	23	62	215	266
55	13	14	16	32	181	277
65	7	8	10	16	142	232
75	3	3	4	7	92	147
85	0	0	0	1	26	62
90	0	0	0	0	4	

COEFFICIENTS OF UTILIZATION (%)

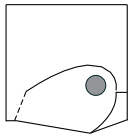
Ceiling	80			70			50				
	70	50	30	10	70	50	30	10	50	30	10
Wall	70	50	30	10	70	50	30	10	50	30	10
0	59	59	59	59	57	57	57	57	55	55	55
1	53	50	48	46	52	49	47	45	47	45	44
2	48	43	40	36	46	42	39	36	40	38	35
3	43	37	33	29	42	37	32	29	35	32	29
4	39	33	28	24	38	32	28	24	31	27	24
5	36	29	24	20	35	28	24	20	27	23	20
6	33	26	21	17	32	25	21	17	24	20	17
7	30	23	18	15	29	23	18	15	22	18	15
8	28	21	16	13	27	20	16	13	20	16	13
9	26	19	15	12	25	19	14	12	18	14	12
10	24	17	13	10	24	17	13	10	17	13	10

Based on floor reflectance of 20

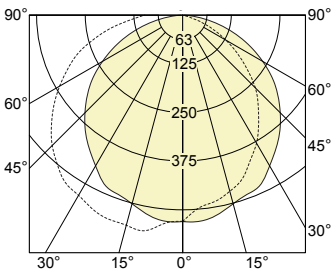
LUMINANCE DATA (CD/M²)

Vertical Angle	Horizontal Angles				
	0	45	90	135	180
45	100	141	2170	4552	4363
55	70	101	2170	4136	3521
65	41	66	2180	3142	2339
75	20	33	2040	1763	1324
85	0	1	1085	716	625

I T5



PHOTOMETRIC CURVE



Test Lamp: IxF14T5
 IES FILE: BMR-SW-4-T5-1
Efficiency: 56.0%

CANDELA DISTRIBUTION

Vertical Angle	Horizontal Angles					Zonal Lumens
	0	22.5	45	67.5	90	
0	530	530	530	530	530	
5	497	512	517	528	533	28
15	469	472	472	495	507	122
25	412	418	430	453	485	205
35	341	346	366	397	428	261
45	264	269	291	329	367	284
55	173	183	208	248	295	270
65	88	93	122	160	209	222
75	9	16	38	75	119	149
85	0	0	0	6	38	73
90	0	0	0	0	11	

COEFFICIENTS OF UTILIZATION (%)

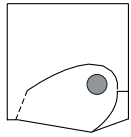
Ceiling	80			70			50				
	70	50	30	10	70	50	30	10	50	30	10
Wall	70	50	30	10	70	50	30	10	50	30	10
0	67	67	67	67	65	65	65	65	62	62	62
1	61	58	55	53	59	56	54	52	54	52	50
2	55	50	46	43	53	49	45	42	47	44	41
3	50	44	39	35	48	43	38	35	41	37	34
4	46	39	33	30	44	38	33	29	36	32	29
5	42	34	29	25	41	34	29	25	33	28	25
6	39	31	26	22	38	30	26	22	29	25	22
7	36	28	23	19	35	28	23	19	27	22	19
8	33	26	21	17	32	25	20	17	24	20	17
9	31	23	19	16	30	23	19	15	22	18	15
10	29	22	17	14	28	21	17	14	21	17	14

Based on floor reflectance of 20

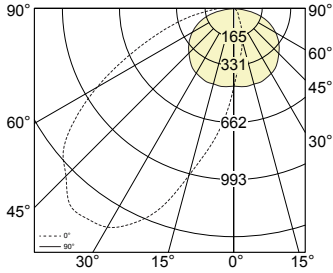
LUMINANCE DATA (CD/M²)

Vertical Angle	Horizontal Angles				
	0	45	90	135	180
45	1413	1761	3702	2709	2533
55	931	1299	3539	2361	2177
65	492	813	3201	1992	1825
75	54	279	2641	1507	1418
85	0	1	1589	911	898

I T5HO



PHOTOMETRIC CURVE



Test Lamp: 1xF54T5HO
 IES FILE: BMR-WW-4-T5HO-1

Efficiency: 49.4%

CANDELA DISTRIBUTION

Vertical Angle	Horizontal Angles					Zonal Lumens
	0	22.5	45	67.5	90	
0	449	449	449	449	449	
5	323	350	351	393	454	25
15	187	199	237	330	453	123
25	88	105	148	253	444	247
35	46	47	76	173	420	372
45	32	33	41	110	369	458
55	22	23	28	57	315	478
65	12	14	17	28	245	400
75	6	6	8	13	157	253
85	0	0	0	2	44	106
90	0	0	0	0	7	

COEFFICIENTS OF UTILIZATION (%)

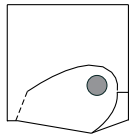
Ceiling	80			70			50				
	70	50	30	10	70	50	30	10	50	30	10
Wall	70	50	30	10	70	50	30	10	50	30	10
0	59	59	59	59	57	57	57	57	55	55	55
1	53	50	48	46	52	49	47	45	47	45	44
2	48	43	40	36	46	42	39	36	40	38	35
3	43	37	33	29	42	37	32	29	35	32	29
4	39	33	28	24	38	32	28	24	31	27	24
5	36	29	24	20	35	28	24	20	27	23	20
6	33	26	21	17	32	25	21	17	24	20	17
7	30	23	18	15	29	23	18	15	22	18	15
8	28	21	16	13	27	20	16	13	20	16	13
9	26	19	15	12	25	19	14	12	18	14	12
10	24	17	13	10	24	17	13	10	17	13	10

Based on floor reflectance of 20

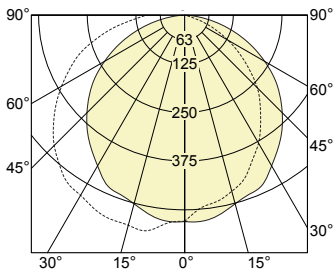
LUMINANCE DATA (CD/M²)

Vertical Angle	Horizontal Angles				
	0	45	90	135	180
45	174	247	3728	7855	7409
55	119	177	3776	7127	6138
65	70	116	3762	5414	4008
75	34	57	3492	3022	2289
85	0	1	1866	1211	1064

I T5HO



PHOTOMETRIC CURVE



Test Lamp: 1xF54T5HO
 IES FILE: BMR-SW-4-T5HO-1

Efficiency: 56.0%

CANDELA DISTRIBUTION

Vertical Angle	Horizontal Angles					Zonal Lumens
	0	22.5	45	67.5	90	
0	530	530	530	530	530	
5	497	512	517	528	533	28
15	469	472	472	495	507	122
25	412	418	430	453	485	205
35	341	346	366	397	428	261
45	264	269	291	329	367	284
55	173	183	208	248	295	270
65	88	93	122	160	209	222
75	9	16	38	75	119	149
85	0	0	0	6	38	73
90	0	0	0	0	11	

COEFFICIENTS OF UTILIZATION (%)

Ceiling	80			70			50				
	70	50	30	10	70	50	30	10	50	30	10
Wall	70	50	30	10	70	50	30	10	50	30	10
0	67	67	67	67	65	65	65	65	62	62	62
1	61	58	55	53	59	56	54	52	54	52	50
2	55	50	46	43	53	49	45	42	47	44	41
3	50	44	39	35	48	43	38	35	41	37	34
4	46	39	33	30	44	38	33	29	36	32	29
5	42	34	29	25	41	34	29	25	33	28	25
6	39	31	26	22	38	30	26	22	29	25	22
7	36	28	23	19	35	28	23	19	27	22	19
8	33	26	21	17	32	25	20	17	24	20	17
9	31	23	19	16	30	23	19	15	22	18	15
10	29	22	17	14	28	21	17	14	21	17	14

Based on floor reflectance of 20

LUMINANCE DATA (CD/M²)

Vertical Angle	Horizontal Angles				
	0	45	90	135	180
45	1413	1761	3702	2709	2533
55	931	1299	3539	2361	2177
65	492	813	3201	1992	1825
75	54	279	2641	1507	1418
85	0	1	1589	911	898