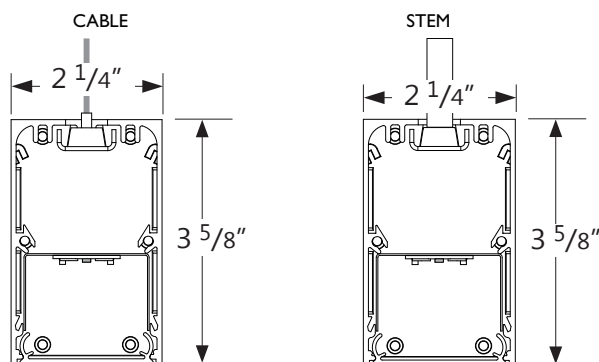


Project _____

Type _____

Notes _____



PERFORMANCE PER LINEAR FOOT AT 4000K

NOMINAL LUMEN OUTPUT	INPUT WATTS*	EFFICACY
400 lm/ft	3.6 W/ft	111 lm/W
500 lm/ft	4.7 W/ft	106 lm/W
750 lm/ft	7.5 W/ft	100 lm/W
1000 lm/ft	10.5 W/ft	96 lm/W

* Based on a 4 foot luminaire using one driver
Please consult factory for custom lumen output and wattage.



Ordering Guide

BDLED		NOM. LUMENS/FT		CRI		COLOR TEMP.		SO	
PRODUCT ID								SHIELDING	
BDLED	Pendant Direct LED	400	400 lm/ft - Minimum	80	80 CRI	27	2700 K	SO	spotless lens
		1000	1000 lm/ft - Maximum	90	90 CRI	30	3000 K		
						35	3500 K		
						40	4000 K		

Outputs between listed min and max are available. Consult factory for outputs outside of the listed range.

LENGTH	MR (OPTIONAL)	FINISH	VOLTAGE	DRIVER	CIRCUITS
2 2'	DMLED(#) downlight module LED	AP aluminum paint	120 120 V	DP dimming (0-10V) 1%	1 1 circuit
3 3'		W white	277 277 V	LT Lutron ⁽¹⁾	2 2 circuits
4 4'		BLK black	347 347 V	BI bi-level dimming	+E(#) emergency circuit ⁽³⁾
5 5'		C custom	UNV universal	O other ⁽²⁾	+NL(#) night light circuit ⁽³⁾
6 6'					+GTD(#) generator transfer device ⁽³⁾
8 8'					+M MR
12 12'					
S# system run					

Add 6" per lamp. Specify quantity. Separate circuits included.

(1) Specify system
(2) Please consult factory; see page 2

(3) Specify quantity

MOUNTING/SUSPENSION	BATTERY (OPTIONAL)	OTHER (OPTIONAL)	IC CONTROLS (OPTIONAL)	CUSTOM (OPTIONAL)
CA(#) drywall+cable length (36" std.)	B# battery pack (integral)	F fuse	DS# daylight sensor	C custom
CT9(#) TB/TG 9/16+cable length (36" std.)			OS# occupancy sensor	
CT15(#) TB/TG15/16+cable length (36" std.)			DOS# daylight & occupancy sensor	
CTS(#) ST+cable length (36" std.)			EN# Enlighted integral ⁽⁴⁾	
SA(#) drywall+stem length >48" (18" std.)			ENR# Enlighted remote ⁽⁴⁾	
	Not available with 347V Please consult factory	Requires 120V or 277V	WC# wireless control dimming	Please specify

(4) Please consult factory
Specify quantity. Requires 8" blank
See integrated controls guide for more details.

CONSTRUCTION

Housing	Extruded aluminum (0.075" nominal) Up to 70% recycled content
End Cap	Die Cast Zinc
Interior Brackets	Die formed sheet steel (18 gauge)
Reflectors	White powder coated sheet steel (22 gauge)
Blank	Extruded aluminum (0.075" nominal)
Lens	Spotless frosted acrylic lens
Hanger	Die formed sheet steel (16 gauge)
Suspension	Aircraft cable or Ø 1/2" stem
Cable Grips	Quick connecting / release

ELECTRICAL


Lutron driver*	LDE1 - EcoSystem H-Series (1%) LDE5 - EcoSystem 5-Series (5%) LTE - Hi-Lume® A-series 2Wires Forward Phase (1%) <small>*Consult factory</small>
Other drivers	DALI - Digital Addressable Lighting Interface DMX - Digital Multiplex LV - line voltage - Advance Mark 10 Xitanium SR - For wireless sensor
Emergency	Integral emergency battery pack or emergency circuit optional.
Input Voltage	120V, 277V, 347V, UNV.

i Incorporating these components may have limitations or affect the length of the luminaire. Please contact factory for more details.

WARRANTY

Axis Lighting will warrant defective LEDs, boards, and drivers for 5 years from date of purchase. Warranty is valid if luminaire is installed and used according to specifications. If defective, Axis will send replacement boards or drivers at no cost along with detailed replacement instructions and instructions on how to return defective components to Axis.

APPROVALS

Certified to UL and CSA standards 
Meets NYC requirements
Suitable for damp locations.

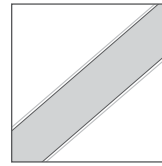
SYSTEM (S#)

BEAM 2 LED linear systems, with the use of a strong profile, allow for a nearly hair thin connection system of continuous runs. Lengths of 4', 8', 12' as well as custom lengths are available. Runs of BEAM 2 LED that are greater than 12' in length are designated as systems (S#). This means that the run is comprised of a combination 4', 8' and/or 12' sections to be assembled on site using our joining system. For more information on systems and joining, please refer to the BEAM 2 LED installation sheets available for download at www.axislighting.com.

FINISHES

Powder coated and custom finishes are also available.

OPTICS



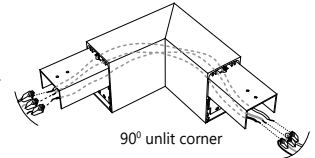
50 spotless lens

SPOTLESS LENS

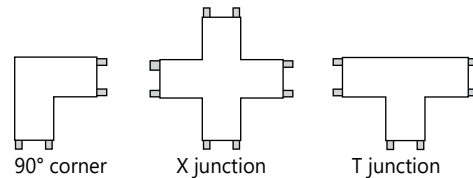
Frosted acrylic snap-in lens with micro lens

CORNERS

Unlit Corners - BEAM 2 LED features a multitude of layout patterns with the use of a number of corners: 90° corner, T or X junctions.



90° unlit corner

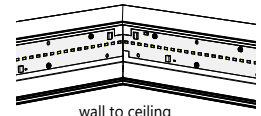


90° corner

X junction

T junction

Lit Corners - Axis also offers lit 90° corners including ceiling to ceiling, wall to ceiling and ceiling to wall.



wall to ceiling lit corner

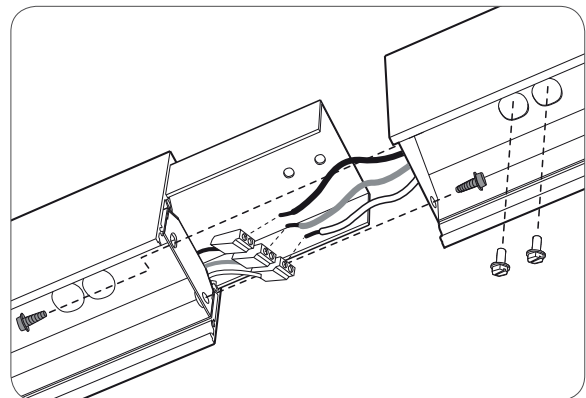
i For custom corner angles, please consult factory. Specifications sheets for all corners are available at: www.axislighting.com

WEIGHT

Direct LED 4ft	10.5 lbs / 4.8 kg
Direct LED 8ft	21.0 lbs / 9.6 kg
Direct LED 12ft	31.5 lbs / 14.4 kg

JOINERS

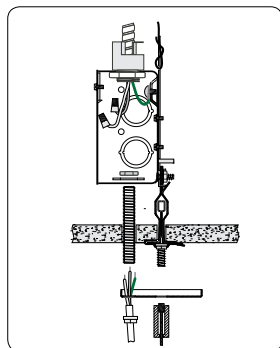
In order to allow very long runs of BEAM 2 LED luminaires, Axis has developed an effective joining system. Special care has been taken to maximize the performance of the joiner for each BEAM 2 LED option.



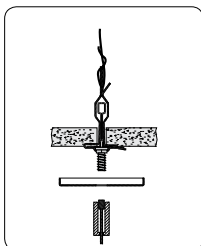
NOTE: Hang each system segment individually. Do not assemble system prior to hanging.

● MOUNTING OPTIONS

CT TILE CEILING - ON GRID

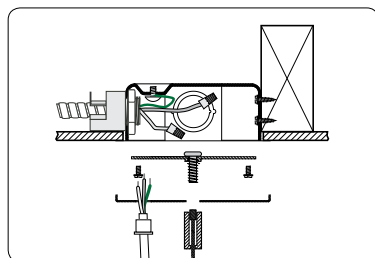


Power feed

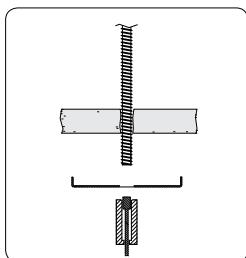


Non power feed

CA DRYWALL CEILING

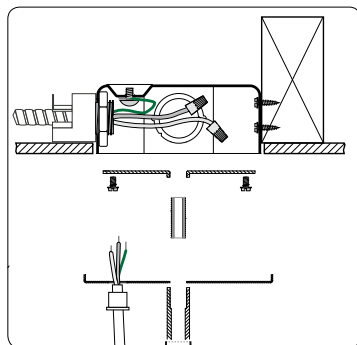


Power feed

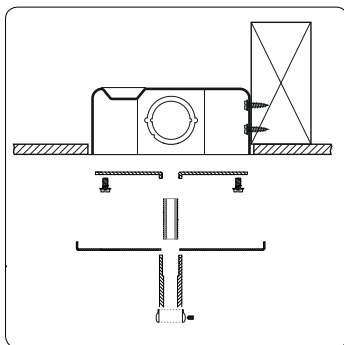


Non power feed

SA STEM MOUNT IN DRYWALL CEILING



Power feed



Non power feed

● LED SYSTEM

CRI	Minimum 80 or 90 color rendering index
CCT	Choice of 2700K, 3000K, 3500K and 4000K color temperature with a great color consistency (within 3.5-step MacAdam ellipse).
LED life	Minimum 50,000h with 70% of lumen maintenance in 25°C ambient temperature, in compliance with IES LM-80 testing measurements.
Thermal management	Aluminium housing acting as the heat sink to maximize life.

● OTHER MOUNTING OPTIONS

BEAM 2 LED is also available with recessed, surface, wall, wall vertical and recessed vertical mounted options.

i Specification sheets and installation sheets for all mountings for BEAM 2 LED luminaires are available for download at www.axislighting.com

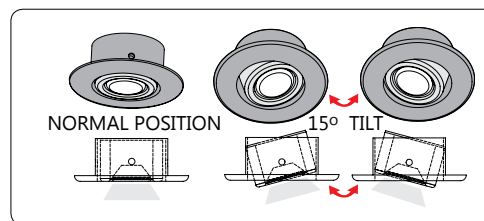
● DMLED MODULE

Blank LED Module Quantity Extruded aluminum (0.075" nominal) 2" diameter
For every 4' section, there may be up to a maximum of 4 x DMLED module.

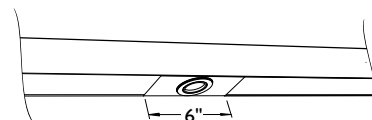
Spacing Each DMLED module is placed centered on a blank section 6" in length.

For a series of modules within a given section length, they will be spaced evenly on a longer blank section. Custom spacing may be available on special request.

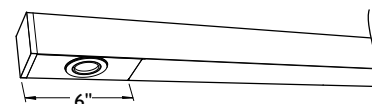
Tilt 15° each side.



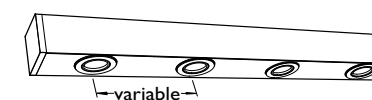
Between sections



At luminaire ends



Several in a long blank section



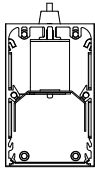
Beam Angle	30 nominal degrees
Input Watts	3W
Nominal Lumens	126 lumens
Efficacy	42 lumens per watt
Color Rendering Index (CRI)	80
Life	25,000 hours at L ₇₀
Correlated color temperature (CCT)	3000K

i More options are available upon request. Please consult factory.

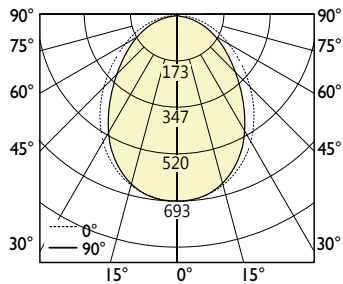
* See photometric report.

● PHOTOMETRIC DATA

400 lm/ft



PHOTOMETRIC CURVE



Luminaire Lumens: 400 lm/ft
Input Watts: 3.6 W/ft
Efficacy: 111 lm/W

80 CRI shown. For 90 CRI, divide wattage by 0.8 and multiply efficacy by 0.8.
 IES FILE: BDLED-400-80-40-SO.IES

TESTED ACCORDING TO IES LM-79-2008

CANDELA DISTRIBUTION

Vertical Angle	Horizontal Angles				
	0	22.5	45	67.5	90
0	691	691	691	691	691
5	684	687	684	689	691
15	653	656	651	649	651
25	591	589	576	567	563
35	499	492	469	448	440
45	387	377	348	324	315
55	269	260	236	216	208
65	164	157	143	129	124
75	77	76	68	61	59
85	17	15	16	15	15
90	0	0	0	0	0

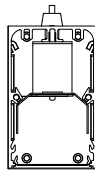
ZONAL LUMENS

Zone	Lumens
0	
0-10	65
10-20	184
20-30	265
30-40	293
40-50	270
50-60	213
60-70	143
70-80	73
80-90	18
90	

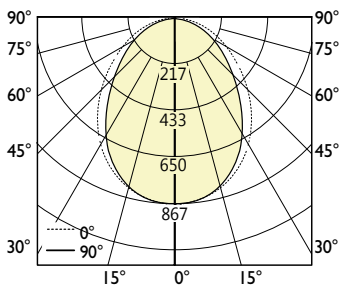
LUMINANCE DATA (cd/m²)

Vertical Angle	Horizontal Angles		
	0	45	90
45	8552	7697	6960
55	7344	6435	5672
65	6069	5280	4589
75	4673	4109	3545
85	3110	2871	2632

500 lm/ft



PHOTOMETRIC CURVE



Luminaire Lumens: 500 lm/ft
Input Watts: 4.7 W/ft
Efficacy: 106 lm/W

80 CRI shown. For 90 CRI, divide wattage by 0.8 and multiply efficacy by 0.8.
 IES FILE: BDLED-500-80-40-SO.IES

TESTED ACCORDING TO IES LM-79-2008

CANDELA DISTRIBUTION

Vertical Angle	Horizontal Angles				
	0	22.5	45	67.5	90
0	863	863	863	863	863
5	855	858	855	862	863
15	817	820	813	812	813
25	738	737	720	708	703
35	623	615	587	560	550
45	483	472	435	405	393
55	337	325	295	270	260
65	205	197	178	162	155
75	97	95	85	77	73
85	22	18	20	18	18
90	0	0	0	0	0

ZONAL LUMENS

Zone	Lumens
0	
0-10	81
10-20	229
20-30	331
30-40	367
40-50	337
50-60	266
60-70	178
70-80	92
80-90	23
90	

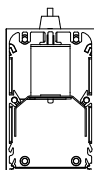
LUMINANCE DATA (cd/m²)

Vertical Angle	Horizontal Angles		
	0	45	90
45	10690	9620	8700
55	9180	8044	7089
65	7586	6599	5736
75	5841	5136	4431
85	3888	3589	3290

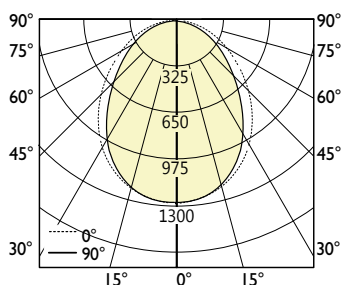
i All IES files are available for download at: www.axislighting.com

● PHOTOMETRIC DATA

750 lm/ft



PHOTOMETRIC CURVE



Luminaire Lumens: 750 lm/ft
Input Watts: 7.5 W/ft
Efficacy: 100 lm/W

80 CRI shown. For 90 CRI, divide wattage by 0.8 and multiply efficacy by 0.8.
 IES FILE: BDLED-750-80-40-SO.IES

TESTED ACCORDING TO IES LM-79-2008

CANDELA DISTRIBUTION

Vertical Angle	Horizontal Angles				
	0	22.5	45	67.5	90
0	1295	1295	1295	1295	1295
5	1283	1288	1283	1293	1295
15	1225	1230	1220	1218	1220
25	1108	1105	1080	1063	1055
35	935	923	880	840	825
45	725	708	653	608	590
55	505	488	443	405	390
65	308	295	268	243	233
75	145	143	128	115	110
85	33	28	30	28	28
90	0	0	0	0	0

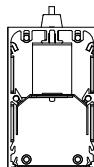
ZONAL LUMENS

Zone	Lumens
0	
0-10	122
10-20	344
20-30	497
30-40	550
40-50	506
50-60	399
60-70	268
70-80	138
80-90	34
90	

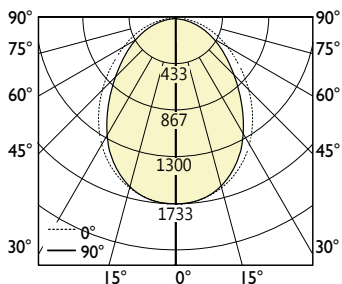
LUMINANCE DATA (cd/m²)

Vertical Angle	Horizontal Angles		
	0	45	90
45	16035	14432	13050
55	13770	12066	10634
65	11380	9899	8604
75	8762	7704	6647
85	5832	5383	4935

1000 lm/ft



PHOTOMETRIC CURVE



Luminaire Lumens: 1000 lm/ft
Input Watts: 10.5 W/ft
Efficacy: 96 lm/W

80 CRI shown. For 90 CRI, divide wattage by 0.8 and multiply efficacy by 0.8.
 IES FILE: BDLED-1000-80-40-SO.IES

TESTED ACCORDING TO IES LM-79-2008

CANDELA DISTRIBUTION

Vertical Angle	Horizontal Angles				
	0	22.5	45	67.5	90
0	1727	1727	1727	1727	1727
5	1710	1717	1710	1723	1727
15	1633	1640	1627	1623	1627
25	1477	1473	1440	1417	1407
35	1247	1230	1173	1120	1100
45	967	943	870	810	787
55	673	650	590	540	520
65	410	393	357	323	310
75	193	190	170	153	147
85	43	37	40	37	37
90	0	0	0	0	0

ZONAL LUMENS

Zone	Lumens
0	
0-10	163
10-20	459
20-30	663
30-40	733
40-50	675
50-60	533
60-70	357
70-80	183
80-90	46
90	

LUMINANCE DATA (cd/m²)

Vertical Angle	Horizontal Angles		
	0	45	90
45	21381	19243	17399
55	18360	16087	14179
65	15173	13199	11472
75	11683	10273	8863
85	7776	7178	6580

i All IES files are available for download at: www.axislighting.com