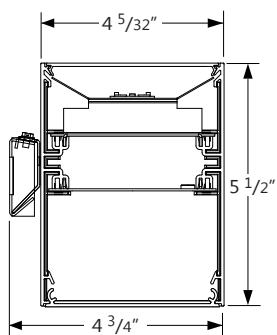


Project _____

Type _____

Notes _____



PERFORMANCE PER LINEAR FOOT AT 3500K

NOMINAL LUMEN OUTPUT	INPUT WATTS*	EFFICACY
950 lm/ft	7.1 W/ft	134 lm/W

* Based on a 4 foot luminaire using one driver
Please consult factory for custom lumen output and wattage.



Ordering Guide

BBWILED		950		CRI		COLOR TEMP.		C		LENGTH	
PRODUCT ID		NOM. LUMENS/FT		CRI		COLOR TEMP.		SHIELDING		LENGTH	
BBWILED	Wall Indirect LED	950	950 lm/ft	80	80 CRI	27	2700 K	C	clear	2	2'
				90	90 CRI	30	3000 K			3	3'
						35	3500 K			4	4'
						40	4000 K			5	5'
										6	6'
										8	8'
										12	12'
										S#	system run
Consult factory for outputs outside of the listed range.											

MR (OPTIONAL)		FINISH		VOLTAGE		DRIVER		CIRCUITS		
M16(#)	MR16 halogen lamp - Line voltage (by other) ⁽¹⁾	AP	aluminum paint	120	120 V	DP	dimming (0-10V) 1%	1	1 circuit	
M16LED(#)	MR16 LED lamp - Line voltage (by other) ⁽¹⁾	W	white	277	277 V	LT	Lutron ⁽³⁾	2	2 circuits	
M16LEDB(#)	MR16 LED lamp - Dimmable (provided) ⁽²⁾	BLK	black	347	347 V	BI	bi-level dimming	+E(#)	emergency circuit	
		C	custom	UNV	universal	O	other ⁽⁴⁾	+NL(#)	night light circuit	
									+GTD(#)	generator transfer device
									+M	MR
(1) Specify quantity; Line wattage only; Seperate circuits included							(3) Specify system		Specify quantity	
(2) Consult factory; See page 3 for more details. MR16 constant current for 0-10V & DALI only							(4) Please consult factory; see page 2			

BATTERY (OPTIONAL)	OTHER (OPTIONAL)	IC CONTROLS (OPTIONAL)	CUSTOM (OPTIONAL)
B# battery pack 4' sections	F fuse	DS# daylight sensor OS# occupancy sensor DOS# daylight & occupancy sensor EN# Enlighted integral ENR# Enlighted remote WC# wireless control dimming	C custom
Not available with 347V Please consult factory	Requires 120V or 277V	Please consult factory Specify quantity. Requires 8" blank. See integrated controls guide for more details.	Please specify

● SPECIFICATIONS

CONSTRUCTION

Housing	Extruded aluminum (0.075" nominal) Up to 70% recycled content
End Cap	Sheet steel (18 gauge)
Interior Brackets	Die formed sheet steel (18 gauge)
Reflectors	White powder coated sheet steel (22 gauge)
Blank	Extruded aluminum (0.075" nominal)
Lens	Spotless frosted acrylic lens
WALL Mount Bracket	Die formed sheet steel (16 gauge)

● ELECTRICAL

Lutron driver*	LDE1 - EcoSystem H-Series (1%) LDE5 - EcoSystem 5-Series (5%) LTE - Hi-Lume® A-series 2Wires Forward Phase (1%) <small>*Consult factory</small>
Other drivers	DALI - Digital Addressable Lighting Interface DMX - Digital Multiplex LV - line voltage - Advance Mark 10 Xitanium SR - For wireless sensor
Emergency	Integral emergency battery pack or emergency circuit optional.
Input Voltage	120V, 277V, 347V, UNV.

i Incorporating these components may have limitations or affect the length of the luminaire. Please contact factory for more details.

● WARRANTY

Axis Lighting will warrant defective LEDs, boards, and drivers for 5 years from date of purchase. Warranty is valid if luminaire is installed and used according to specifications. If defective, Axis will send replacement boards or drivers at no cost along with detailed replacement instructions and instructions on how to return defective components to Axis.

● APPROVALS

Certified to UL and CSA standards
Meets NYC requirements
Suitable for damp locations.



● SYSTEM (S#)

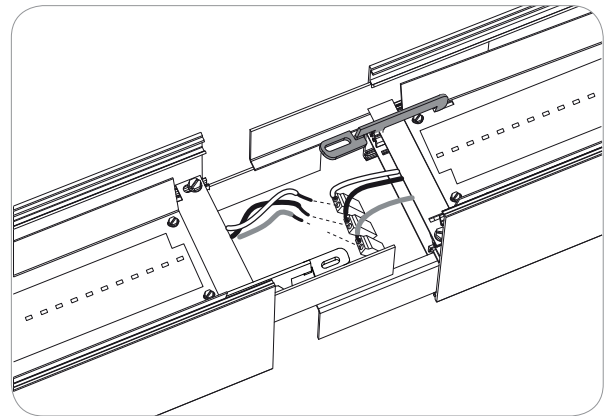
BEAM4 LED linear systems, with the use of a strong profile, allow for a nearly hair thin connection system of continuous runs. Lengths of 4', 8', 12' as well as custom lengths are available. Runs of BEAM4 LED that are greater than 12ft in length are designated as systems (S#). This means that the run is comprised of a combination of 4', 8' and/or 12' sections to be assembled on site using our joining system. For more information on systems and joining, please refer to the BEAM4 LED installation sheets available for download at www.axislighting.com.

● WEIGHT

Wall Indirect LED 4ft	14.5 lbs / 6.6 kg
Wall Indirect LED 8ft	29.0 lbs / 13.2 kg
Wall Indirect LED 12ft	43.5 lbs / 19.7 kg

● JOINERS

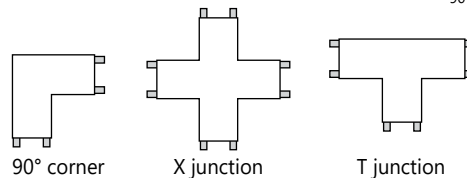
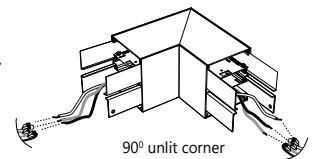
In order to allow very long runs of BEAM4 LED luminaires, Axis has developed a number of different joining systems. Special care has been taken to maximize the performance of the joiner for each BEAM4 LED option.



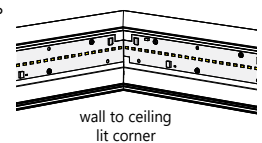
NOTE: Mount each system segment individually. Do not assemble system prior to mounting.

● CORNERS

Unlit Corners - BEAM4 LED features a multitude of layout patterns with the use of a number of corners, 90° corner, T or X junctions.



Lit Corners - Axis also offers lit 90° corners including ceiling to ceiling, wall to ceiling and ceiling to wall.



i For custom corner angles, please consult factory. Specifications sheets for all corners are available at: www.axislighting.com

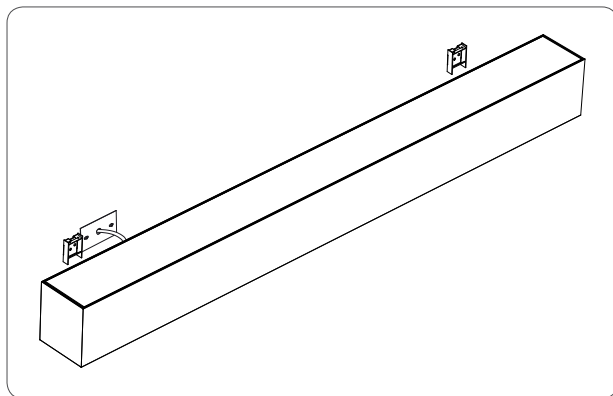
● FINISHES

Powder coated and custom finishes are also available.

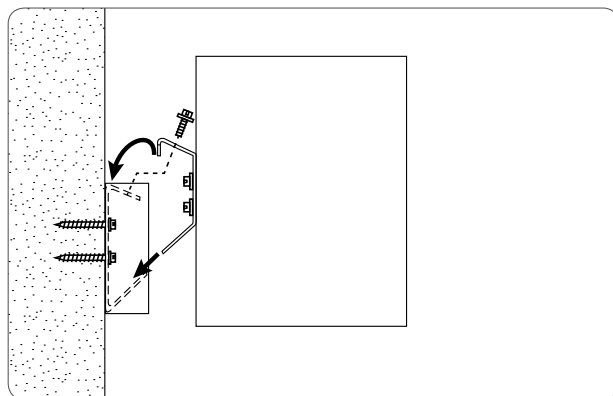
● LED SYSTEM

CRI	Minimum 80 or 90 color rendering index
CCT	Choice of 2700K, 3000K, 3500K and 4000K color temperature with a great color consistency (within 3.5-step MacAdam ellipse).
LED life	Minimum 50,000h with 70% of lumen maintenance in 25°C ambient temperature, in compliance with IES LM-80 testing measurements.
Thermal management	Aluminium housing acting as the heat sink to maximize life.

● HORIZONTAL MOUNTING DETAILS



MOUNTING BRACKETS



SIDE VIEW

● OTHER MOUNTING OPTIONS

BEAM4 LED is also available with pendant, recessed, surface and recessed vertical mounted options.

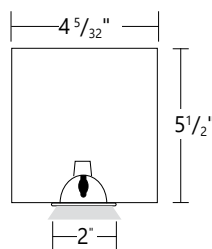
i Specification sheets and installation sheets for all mountings for BEAM4 LED luminaires are available for download at www.axislighting.com

● MR16 LED LAMPS

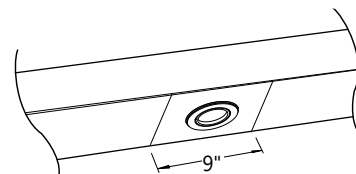
- Blank** Extruded aluminum (0.075" nominal)
- MR16 Halogens** Adjustable halogen lamp 35W / 50W (by others) - **Line voltage dimming only**
- MR16 LED** Adjustable LED lamp (provided)- **Line voltage dimming only**
- MR16 LEDB** Constant current LED lamp (provided)- **Dimmable by control system for 0-10V DALI only**

Quantity For every 4' section, there may be up to a maximum of 4 x MR16 LED lamps.

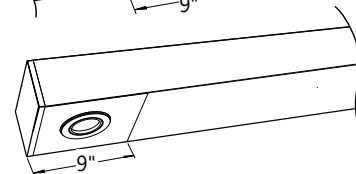
Spacing Each MR16 LED lamp is placed centered on a blank section 9" in length. For a series of MR16's within a given section length, they will be spaced evenly on a longer blank section. The directed light of MR16 LED lamps are fixed downward. Custom spacing may be available on special request.



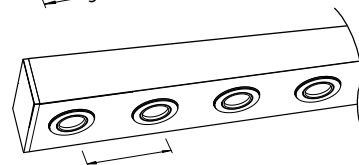
Between sections



At luminaire ends



Several in a long blank section

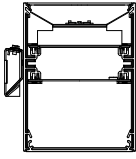


- Base Type** GU 5.3
- Beam Angle** 40 nominal degrees
- Input Watts** 6W
- Nominal Lumens** 300 lumens
- Efficacy** 50 lumens per watt
- Color Rendering Index (CRI)** 85
- Center Beam Candle Power (CBCP)** 584 candelas
- Life** 25,000 hours at L₇₀
- Correlated color temperature (CCT)** 2700K

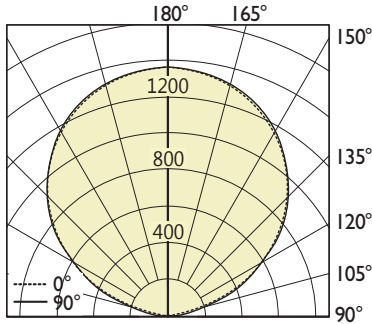
i More options are available upon request. Please consult factory.

● PHOTOMETRIC DATA

950 lm/ft



PHOTOMETRIC CURVE



Luminaire Lumens: 950 lm/ft
Input Watts: 7.1 W/ft
Efficacy: 134 lm/W

IES FILE: BBWILED-950-80-35-C.IES
 TESTED ACCORDING TO IES LM-79-2008

CANDELA DISTRIBUTION

Vertical Angle	Horizontal Angles				
	0	22.5	45	67.5	90
90	0	0	0	0	0
95	16	8	3	1	1
105	202	194	181	137	137
115	470	461	449	440	448
125	724	721	701	692	697
135	939	934	921	914	914
145	1107	1102	1095	1094	1090
155	1227	1228	1222	1221	1217
165	1310	1311	1311	1311	1311
175	1355	1363	1360	1358	1356
180	1365	1365	1365	1365	1365

ZONAL LUMENS

Zone	Lumens
90	
90-100	18
100-110	186
110-120	446
120-130	630
130-140	712
140-150	686
150-160	564
160-170	370
170-180	129
180	

i All IES files are available for download at: www.axislighting.com