

Project _____

Type _____

Notes _____

PERFORMANCE PER LINEAR FOOT AT 3500K

NOMINAL LUMEN OUTPUT	INPUT WATTS*	EFFICACY
400 lm/ft	3.7 W/ft	109 lm/W

* Based on a 4 foot luminaire using one driver
Please consult factory for custom lumen output and wattage.



Ordering Guide

BBSLED					ASO	
PRODUCT ID	NOM. LUMENS/FT	CRI	COLOR TEMP.	SHIELDING	LENGTH	
BBSLED Surface LED	400 400 lm/ft - Minimum	80 80 CRI	27 2700 K	ASO asymmetric with SO lens	2 2'	
	1000 1000 lm/ft - Maximum	90 90 CRI	30 3000 K		3 3'	
			35 3500 K		4 4'	
			40 4000 K		5 5'	
					6 6'	
					8 8'	
					12 12'	
					S# system run	
Outputs between listed min and max are available. Consult factory for outputs outside of the listed range.				See page 2-3 for more details		

LED DOWNLIGHT INSERT	FINISH	VOLTAGE	DRIVER	CIRCUITS
M16(#) MR16 halogen lamp - Line voltage (by other) ⁽¹⁾	AP aluminum paint	120 120 V	DP dimming (0-10V) 1%	1 1 circuit ⁽⁵⁾
M16LED(#) MR16 LED lamp - Line voltage (by other) ⁽¹⁾	W white	277 277 V	LT Lutron ⁽³⁾	2 2 circuits ⁽⁶⁾
M16LEDB(#) MR16 LED lamp - Dimmable (provided) ⁽²⁾	BLK black	347 347 V	BI bi-level dimming	+E(#) emergency circuit ⁽⁷⁾
	C custom	UNV universal	O other ⁽⁴⁾	+NL(#) night light circuit ⁽⁷⁾
				+GTD(#) generator transfer device ⁽⁷⁾
				+M MR
⁽¹⁾ Specify quantity; Line wattage only; Separate circuits included			⁽³⁾ Specify system	
⁽²⁾ Consult factory; See page 3 for more details. MR16 constant current for 0-10V & DALI only			⁽⁴⁾ Please consult factory; see page 2	
			⁽⁵⁾ Control UP & DOWN lights together	
			⁽⁶⁾ Control UP & DOWN lights separately	
			⁽⁷⁾ Specify quantity	

MOUNTING	BATTERY (OPTIONAL)	OTHER (OPTIONAL)	IC CONTROLS (OPTIONAL)	CUSTOM (OPTIONAL)
SB9 surface TB/TG 9/16	B# battery pack 4' sections	F fuse ⁽⁸⁾ EF end feed	DS# daylight sensor	C custom
SB15 surface TB/TG 15/16			OS# occupancy sensor	
SBS surface screw slot t-bar			DOS# daylight & occupancy sensor	
S surface drywall ceiling			EN# Enlighted integral ⁽⁹⁾	
SC surface solid ceiling			ENR# Enlighted remote ⁽¹⁰⁾	
			WC# wireless control dimming	
	Not available with 347V Please consult factory	⁽⁸⁾ Requires 120V or 277V	⁽⁹⁾ For flush option only; Please consult factory ⁽¹⁰⁾ Please consult factory. Specify quantity. Requires 8" blank. See integrated controls guide for more details.	Please specify

● SPECIFICATIONS

CONSTRUCTION

Housing	Extruded aluminum (0.075" nominal) Up to 70% recycled content
End Cap	Sheet steel (18 gauge)
Interior Brackets	Die formed sheet steel (18 gauge)
Reflectors	White powder coated sheet steel (22 gauge)
Blank	Extruded aluminum (0.075" nominal)
Lens	Spotless frosted acrylic lens

● ELECTRICAL

Lutron driver*	LDE1 - EcoSystem H-Series (1%) LDE5 - EcoSystem 5-Series (5%) LTE - Hi-Lume® A-series 2Wires Forward Phase (1%) <small>*Consult factory</small>
Other drivers	DALI - Digital Addressable Lighting Interface DMX - Digital Multiplex LV - line voltage - Advance Mark 10 Xitanium SR - For wireless sensor
Emergency	Integral emergency battery pack or emergency circuit optional.
Input Voltage	120V, 277V, 347V, UNV.

i Incorporating these components may have limitations or affect the length of the luminaire. Please contact factory for more details.


● FINISHES

Powder coated and custom finishes are also available.

● WEIGHT

Surface Asymmetric 4 ft	14.5 lbs / 6.6 kg
Surface Asymmetric 8 ft	29.0 lbs / 13.2 kg
Surface Asymmetric 12 ft	43.5 lbs / 19.7 kg

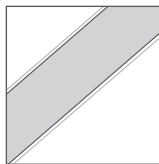
● APPROVALS

Certified to UL and CSA standards 
Meets NYC requirements
Suitable for damp locations.

● WARRANTY

Axis Lighting will warrant defective LEDs, boards, and drivers for 5 years from date of purchase. Warranty is valid if luminaire is installed and used according to specifications. If defective, Axis will send replacement boards or drivers at no cost along with detailed replacement instructions and instructions on how to return defective components to Axis.

● OPTICS



50 spotless lens

SPOTLESS LENS

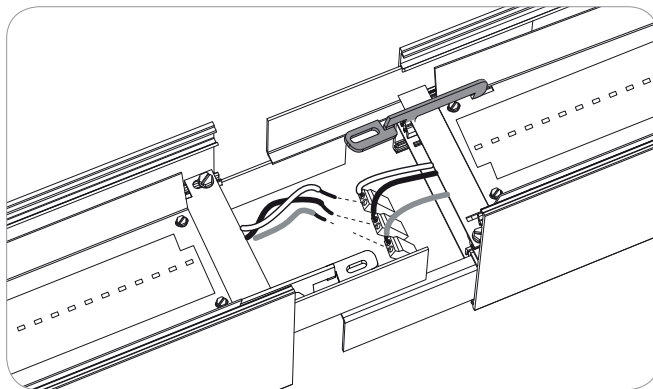
Frosted acrylic snap-in lens with micro lens

● SYSTEM (S#)

BEAM4 LED linear systems, with the use of a strong profile, allow for a nearly hair thin connection system of continuous runs. Lengths of 4', 8', 12' as well as custom lengths are available. Runs of BEAM4 LED that are greater than 12ft in length are designated as systems (S#). This means that the run is comprised of a combination of 4', 8' and/or 12' sections to be assembled on site using our joining system. For more information on systems and joining, please refer to the BEAM4 LED installation sheets available for download at www.axislighting.com.

● JOINERS

In order to allow very long runs of BEAM4 LED luminaires, Axis has developed a number of different joining systems. Special care has been taken to maximize the performance of the joiner for each BEAM option.



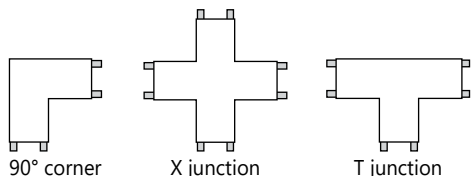
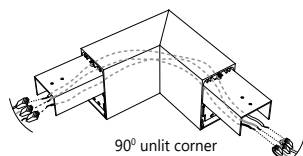
NOTE: Mount each system segment individually. Do not assemble system prior to mounting.

● LED SYSTEM

CRI	Minimum 80 or 90 color rendering index
CCT	Choice of 2700K, 3000K, 3500K and 4000K color temperature with a great color consistency (within 3.5-step MacAdam ellipse).
LED life	Minimum 50,000h with 70% of lumen maintenance in 25°C ambient temperature, in compliance with IES LM-80 testing measurements.
Thermal management	Aluminium housing acting as the heat sink to maximize life.

CORNERS

Unlit Corners - BEAM4 LED features a multitude of layout patterns with the use of a number of corners, 90° corner, T or X junctions.



i For custom corner angles, please consult factory. Specifications sheets for all corners are available at: www.axislighting.com

WARRANTY

Axis Lighting will warrant defective LEDs, boards, and drivers for 5 years from date of purchase. Warranty is valid if luminaire is installed and used according to specifications. If defective, Axis will send replacement boards or drivers at no cost along with detailed replacement instructions and instructions on how to return defective components to Axis.

OTHER MOUNTING OPTIONS

BEAM4 LED is also available with pendant, recessed, surface, wall, wall vertical and recessed vertical mounted options.

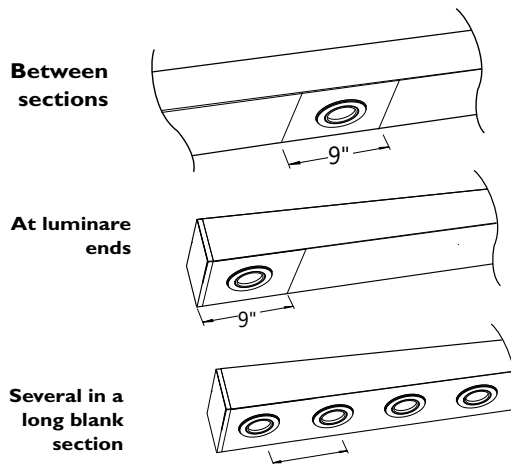
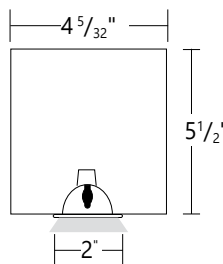
i Specification sheets and installation sheets for all mountings for BEAM4 LED luminaires are available for download at www.axislighting.com

MR16 LED LAMPS

Blank	Extruded aluminum (0.075" nominal)
MR16 Halogens	Adjustable halogen lamp 35W / 50W (by others) - Line voltage dimming only
MR16 LED	Adjustable LED lamp (provided)- Line voltage dimming only
MR16 LEDB	Constant current LED lamp (provided)- Dimmable by control system for 0-10V DALI only

Quantity For every 4' section, there may be up to a maximum of 4 x MR16 LED lamps.

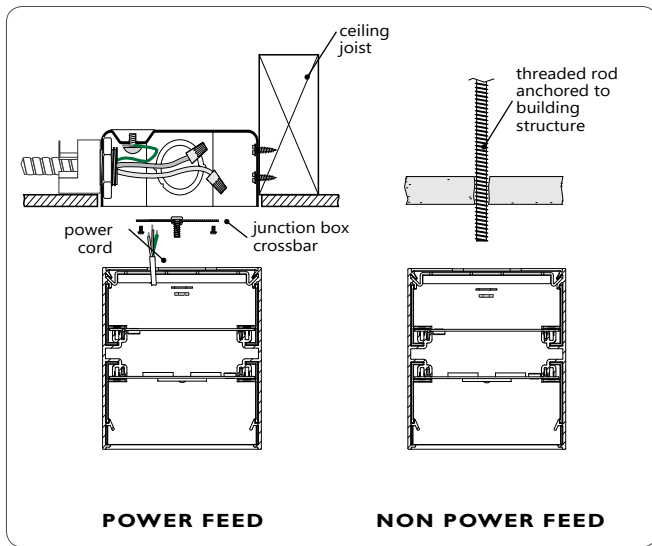
Spacing Each MR16 LED lamp is placed centered on a blank section 9" in length. For a series of MR16's within a given section length, they will be spaced evenly on a longer blank section. The directed light of MR16 LED lamps are fixed downward. Custom spacing may be available on special request.



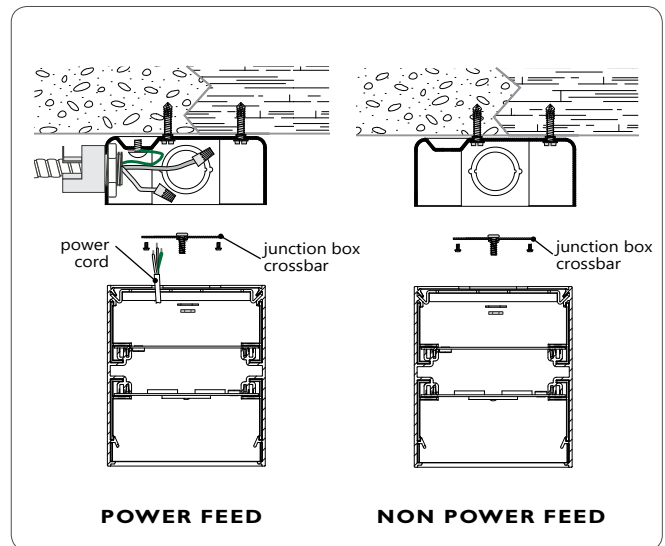
Base Type	GU 5.3
Beam Angle	40 nominal degrees
Input Watts	6W
Nominal Lumens	300 lumens
Efficacy	50 lumens per watt
Color Rendering Index (CRI)	85
Center Beam Candle Power (CBCP)	584 candelas
Life	25,000 hours at L ₇₀
Correlated color temperature (CCT)	2700K

i More options are available upon request. Please consult factory.

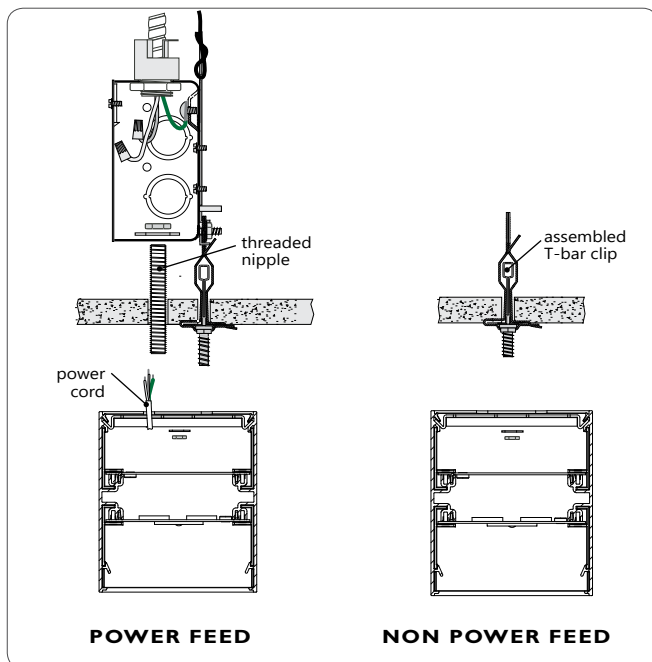
● MOUNTING DETAILS



S SURFACE MOUNT DRYWALL CEILING



SC SURFACE MOUNT SOLID CEILING



SB SURFACE MOUNT T-BAG CEILING

● OTHER MOUNTING OPTIONS

BEAM4 LED is also available with recessed, pendant, wall and recessed vertical mounted options.

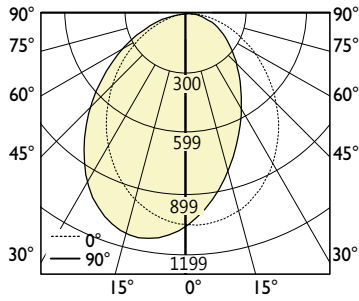
i Specification sheets and installation sheets for all mountings for BEAM4 LED luminaires are available for download at www.axislighting.com

PHOTOMETRIC DATA

400 lm/ft
With ASO lens



PHOTOMETRIC CURVE



Luminaire Lumens: 400 lm/ft
Input Watts: 3.7 W/ft
Efficacy: 109 lm/W
 IES FILE: BBSLED-400-80-35-ASO.IES

TESTED ACCORDING TO IES LM-79-2008

CANDELA DISTRIBUTION

Vertical Angle	Horizontal Angles				
	0	22.5	45	67.5	90
0	695	695	695	695	695
5	645	649	660	676	695
15	525	536	567	613	667
25	404	420	462	527	604
35	302	318	361	430	514
45	222	235	272	333	409
55	159	168	196	243	302
65	107	112	130	161	200
75	60	64	73	90	113
85	21	22	27	33	39
90	3	4	7	10	12

ZONAL LUMENS

Zone	Lumens
0	
0-10	65
10-20	182
20-30	264
30-40	298
40-50	286
50-60	239
60-70	172
70-80	99
80-90	33
90	

LUMINANCE DATA (CD/M²)

Vertical Angle	Horizontal Angles		
	0	45	90
45	2858	3501	5265
55	2523	3110	4793
65	2304	2800	4308
75	2110	2567	3974
85	2193	2820	4073