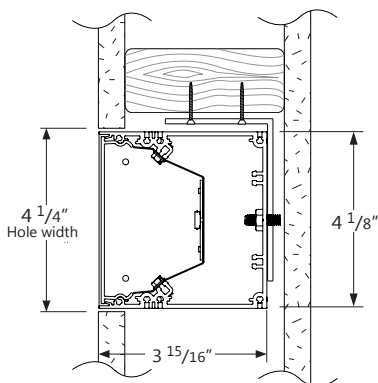


Project _____

Type _____

Notes _____



PERFORMANCE PER LINEAR FOOT AT 4000K

NOMINAL LUMEN OUTPUT	INPUT WATTS*	EFFICACY
400 lm/ft	3.3 W/ft	122 lm/W
500 lm/ft	4.3 W/ft	117 lm/W
750 lm/ft	6.8 W/ft	109 lm/W
1000 lm/ft	9.5 W/ft	105 lm/W

* Based on a 4 foot luminaire using one driver
Please consult factory for custom lumen output and wattage.



Ordering Guide

BBRVLED						SO	
PRODUCT ID	NOM. LUMENS/FT	CRI	COLOR TEMP.	SHIELDING	LENGTH		
BBRVLED Recessed Vertical LED	400 400 lm/ft - Minimum	80 80 CRI	27 2700 K	SO spotless lens	2 2'		
	1000 1000 lm/ft - Maximum	90 90 CRI	30 3000 K		3 3'		
			35 3500 K		4 4'		
			40 4000 K		5 5'		
					6 6'		
					8 8'		
					12 12'		
					S# system run		

Outputs between listed min and max are available. Consult factory for outputs outside of the listed range.

FINISH	VOLTAGE	DRIVER	CIRCUITS	MOUNTING	BATTERY (OPTIONAL)
W white	120 120 V	DP dimming (0-10V) 1%	1 1 circuit	DF drywall flange	B# battery pack 4' sections
C custom	277 277 V	LT Lutron ⁽¹⁾	2 2 circuits	DS drywall spackle flange	
	347 347 V	BI bi-level dimming	+E(#) emergency circuit ⁽³⁾	D drywall flangeless	
	UNV universal	O other ⁽²⁾	+NL(#) night light circuit ⁽³⁾		
			+GTD(#) generator transfer device ⁽³⁾		
		(1) Specify system (2) Please consult factory; see page 2	(3) Specify quantity		Not available with 347V Please consult factory

OTHER (OPTIONAL)	CUSTOM (OPTIONAL)
F fuse ⁽⁴⁾	C custom
EF end feed	
FW(#) flex whip (6' std)	
(4) Requires 120V or 277V	Please specify

● SPECIFICATIONS

CONSTRUCTION

Housing	Extruded aluminum (0.075" nominal) Up to 70% recycled content
Interior Brackets	Die formed sheet steel (18 gauge)
Reflectors	White powder coated sheet steel (22 gauge)
Blank	Extruded aluminum (0.075" nominal)
Lens	Spotless frosted acrylic lens

● ELECTRICAL

Lutron driver*	LDE1 - EcoSystem H-Series (1%) LDE5 - EcoSystem 5-Series (5%) LTE - Hi-Lume® A-series 2Wires Forward Phase (1%) *Consult factory
Other drivers	DALI - Digital Addressable Lighting Interface DMX - Digital Multiplex LV - line voltage - Advance Mark 10 Xitanium SR - For wireless sensor POE (Power over Ethernet) - Low Voltage Lighting System.
Emergency	Integral emergency battery pack or emergency circuit optional.
Input Voltage	120V, 277V, 347V, UNV.
Flex Whip	Shipped in a separate box for contractors to install

i Incorporating these components may have limitations or affect the length of the luminaire. Please contact factory for more details.

● WARRANTY

Axis Lighting will warrant defective LEDs, boards, and drivers for 5 years from date of purchase. Warranty is valid if luminaire is installed and used according to specifications. If defective, Axis will send replacement boards or drivers at no cost along with detailed replacement instructions and instructions on how to return defective components to Axis.

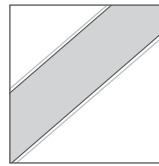
● SYSTEM (S#)

BEAM4 LED linear systems, with the use of a strong profile, allow for a nearly hair thin connection system of continuous runs. Lengths of 4', 8', 12' as well as custom lengths are available. Runs of BEAM4 LED that are greater than 12ft in length are designated as systems (S#). This means that the run is comprised of a combination of 4', 8' and/or 12' sections to be assembled on site using our joining system. For more information on systems and joining, please refer to the BEAM4 LED installation sheets available for download at www.axislighting.com.

● LED SYSTEM

CRI	Minimum 80 or 90 color rendering index
CCT	Choice of 2700K, 3000K, 3500K and 4000K color temperature with a great color consistency (within 3.5-step MacAdam ellipse).
LED life	Minimum 50,000h with 70% of lumen maintenance in 25°C ambient temperature, in compliance with IES LM-80 testing measurements.
Thermal management	Aluminium housing acting as the heat sink to maximize life.

● OPTICS



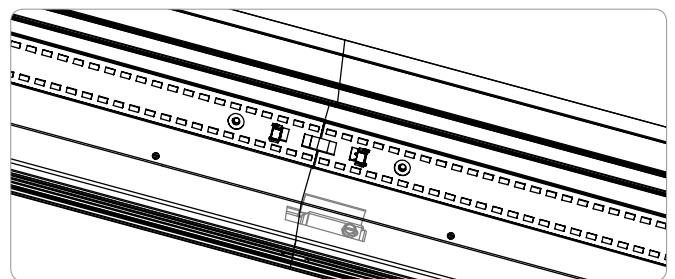
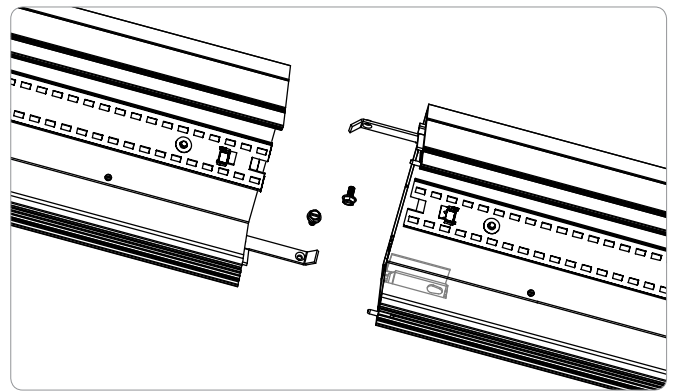
50 spotless lens

SPOTLESS LENS

Frosted acrylic snap-in lens with micro lens

● JOINERS

In order to allow very long runs of BEAM4 LED luminaires, Axis has developed a number of different joining systems. Special care has been taken to maximize the performance of the joiner for each BEAM4 LED option.



JOINER SYSTEM

NOTE: Hang each system segment individually. Do not assemble system prior to hanging.


● FINISHES

Powder coated and custom finishes are also available.

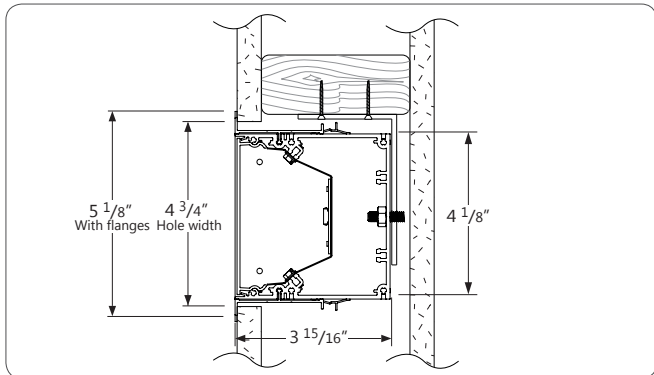
● WEIGHT

Recessed Vertical LED 4 ft	12.3 lbs / 5.0 kg
Recessed Vertical LED 8 ft	24.6 lbs / 10.1 kg
Recessed Vertical LED 12 ft	36.9 lbs / 15.1 kg

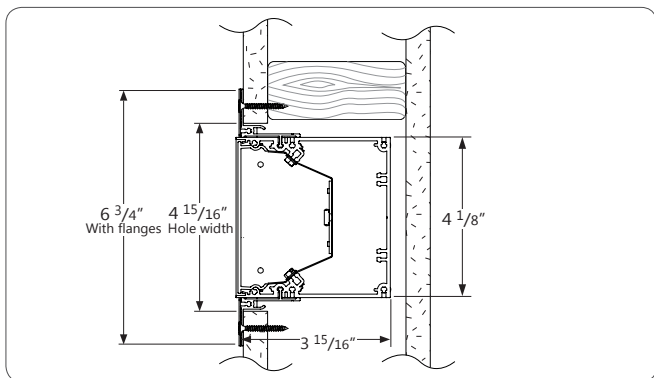
● APPROVALS

Certified to UL and CSA standards 
Meets NYC requirements
Suitable for damp locations
IC Rated (Insulated ceiling)

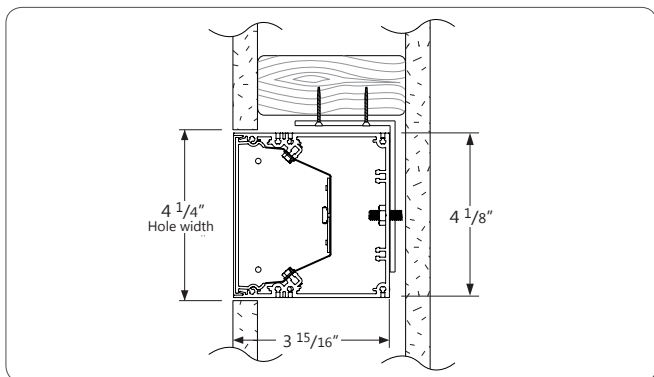
● VERTICAL RECESSED MOUNTING OPTIONS



DF DRYWALL FLANGED



DS DRYWALL SPACKLE FLANGE



D DRYWALL FLANGELESS

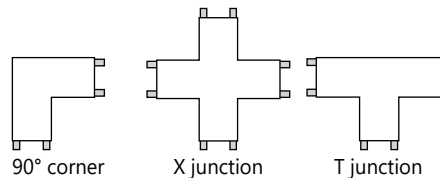
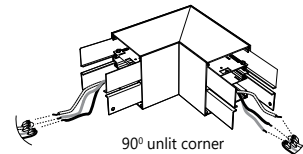
● OTHER MOUNTING OPTIONS

BEAM4 LED is also available with recessed, pendant, surface and wall mounted options.

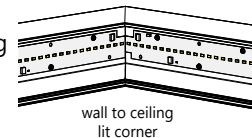
i Specification sheets and installation sheets for all mountings for BEAM4 LED luminaires are available for download at www.axislighting.com

● CORNERS

Unlit Corners - BEAM4 LED features a multitude of layout patterns with the use of a number of corners, 90° corner, T or X junctions.



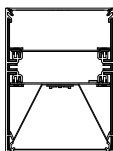
Lit Corners - Axis also offers lit 90° corners including ceiling to ceiling, wall to ceiling and ceiling to wall.



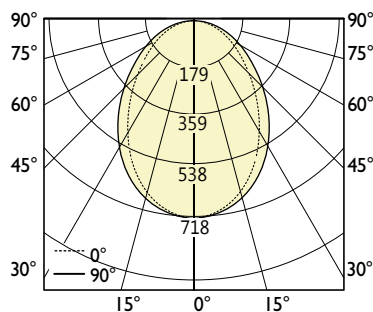
i For custom corner angles, please consult factory. Specifications sheets for all corners are available at: www.axislighting.com

● PHOTOMETRIC DATA

400 lm/ft



PHOTOMETRIC CURVE



Luminaire Lumens: 400 lm/ft
Input Watts: 3.3 W/ft
Efficacy: 122 lm/W

IES FILE: BBRVLED-400-80-40-SO.IES
 TESTED ACCORDING TO IES LM-79-2008

CANDELA DISTRIBUTION

Vertical Angle	Horizontal Angles				
	0	22.5	45	67.5	90
0	718	718	718	718	718
5	710	712	709	711	713
15	668	668	660	653	652
25	591	585	568	552	546
35	489	479	454	432	423
45	377	368	342	319	310
55	269	261	240	220	212
65	170	164	150	137	132
75	85	81	74	69	66
85	19	18	18	17	17
90	0	0	0	0	0

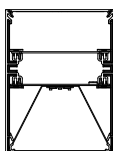
ZONAL LUMENS

Zone	Lumens
0	
0-10	67
10-20	186
20-30	261
30-40	285
40-50	265
50-60	215
60-70	150
70-80	80
80-90	21
90	

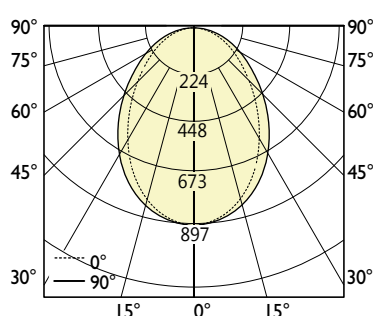
LUMINANCE DATA (cd/m²)

Vertical Angle	Horizontal Angles		
	0	45	90
45	4694	4250	3856
55	4132	3679	3257
65	3548	3119	2747
75	2873	2523	2243
85	1942	1804	1665

500 lm/ft



PHOTOMETRIC CURVE



Luminaire Lumens: 500 lm/ft
Input Watts: 4.3 W/ft
Efficacy: 117 lm/W

IES FILE: BBRVLED-500-80-40-SO.IES
 TESTED ACCORDING TO IES LM-79-2008

CANDELA DISTRIBUTION

Vertical Angle	Horizontal Angles				
	0	22.5	45	67.5	90
0	897	897	897	897	897
5	887	890	886	889	891
15	835	835	825	816	815
25	739	731	710	690	683
35	611	599	568	540	529
45	472	460	427	399	387
55	337	326	300	275	265
65	213	205	187	172	165
75	106	101	93	86	82
85	24	22	22	21	21
90	0	0	0	0	0

ZONAL LUMENS

Zone	Lumens
0	
0-10	84
10-20	232
20-30	326
30-40	356
40-50	331
50-60	269
60-70	187
70-80	100
80-90	26
90	

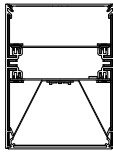
LUMINANCE DATA (cd/m²)

Vertical Angle	Horizontal Angles		
	0	45	90
45	5868	5312	4820
55	5165	4599	4072
65	4435	3899	3434
75	3592	3154	2803
85	2428	2255	2081

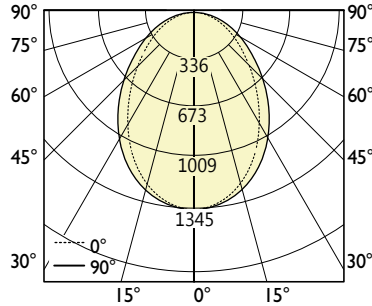
i All IES files are available for download at: www.axislighting.com

● PHOTOMETRIC DATA

750 lm/ft



PHOTOMETRIC CURVE



Luminaire Lumens: 750 lm/ft
Input Watts: 6.8 W/ft
Efficacy: 109 lm/W

IES FILE: BBRVLED-750-80-40-SO.IES
 TESTED ACCORDING TO IES LM-79-2008

CANDELA DISTRIBUTION

Vertical Angle	Horizontal Angles				
	0	22.5	45	67.5	90
0	1345	1345	1345	1345	1345
5	1331	1335	1329	1334	1336
15	1253	1253	1237	1224	1223
25	1108	1097	1064	1035	1024
35	916	898	852	809	794
45	707	689	640	598	581
55	505	490	450	412	398
65	320	308	281	258	247
75	159	152	139	129	124
85	36	34	34	32	31
90	0	0	0	0	0

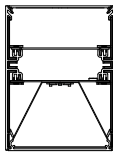
ZONAL LUMENS

Zone	Lumens
0	
0-10	126
10-20	348
20-30	490
30-40	534
40-50	496
50-60	404
60-70	281
70-80	150
80-90	39
90	

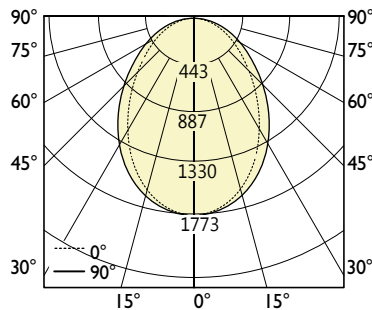
LUMINANCE DATA (cd/m²)

Vertical Angle	Horizontal Angles		
	0	45	90
45	8802	7968	7231
55	7748	6898	6107
65	6653	5848	5150
75	5388	4731	4205
85	3642	3380	3122

1000 lm/ft



PHOTOMETRIC CURVE



Luminaire Lumens: 1000 lm/ft
Input Watts: 9.5 W/ft
Efficacy: 105 lm/W

IES FILE: BBRVLED-1000-80-40-SO.IES
 TESTED ACCORDING TO IES LM-79-2008

CANDELA DISTRIBUTION

Vertical Angle	Horizontal Angles				
	0	22.5	45	67.5	90
0	1794	1794	1794	1794	1794
5	1775	1780	1771	1778	1782
15	1670	1670	1649	1632	1631
25	1478	1462	1419	1380	1366
35	1222	1198	1136	1079	1058
45	943	919	854	797	775
55	674	653	600	550	531
65	426	411	375	344	330
75	211	203	186	172	165
85	48	45	45	43	41
90	0	0	0	0	0

ZONAL LUMENS

Zone	Lumens
0	
0-10	168
10-20	464
20-30	653
30-40	712
40-50	662
50-60	538
60-70	374
70-80	200
80-90	52
90	

LUMINANCE DATA (cd/m²)

Vertical Angle	Horizontal Angles		
	0	45	90
45	11736	10624	9641
55	10331	9197	8143
65	8870	7797	6867
75	7183	6307	5607
85	4856	4509	4162

i All IES files are available for download at: www.axislighting.com